



aluplast GmbH (Head Office)

Auf der Breit 2
DE - 76227 Karlsruhe

tel: +49 721 47171-0
fax: +49 721 47171-999
info.de@aluplast.net
www.aluplast.net

aluplast Austria GmbH

Roßlauf 26
AT - 4552 Wartberg an der Krems

tel: +43 7587 7555-0
fax: +43 7587 7555-10
info.at@aluplast.net
www.aluplast.net

aluplast Sp. z o.o.

ul. Gołęzycka 25 A PL -
61-357 Poznań

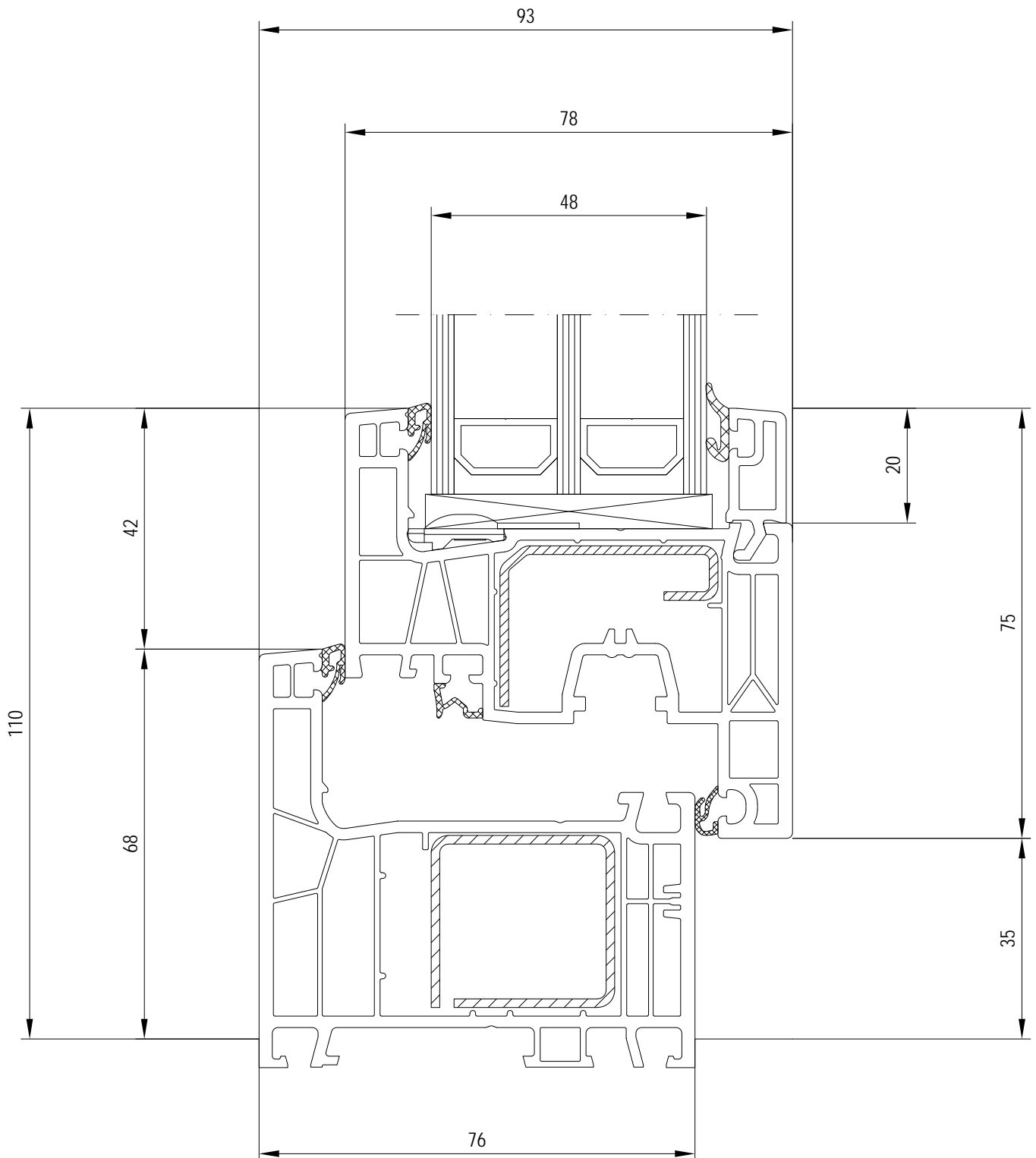
tel: +48 61 654 3400
fax: +48 61 654 3499
aluplast@aluplast.com.pl
www.aluplast.com.pl

aluplast Romania s.r.l.

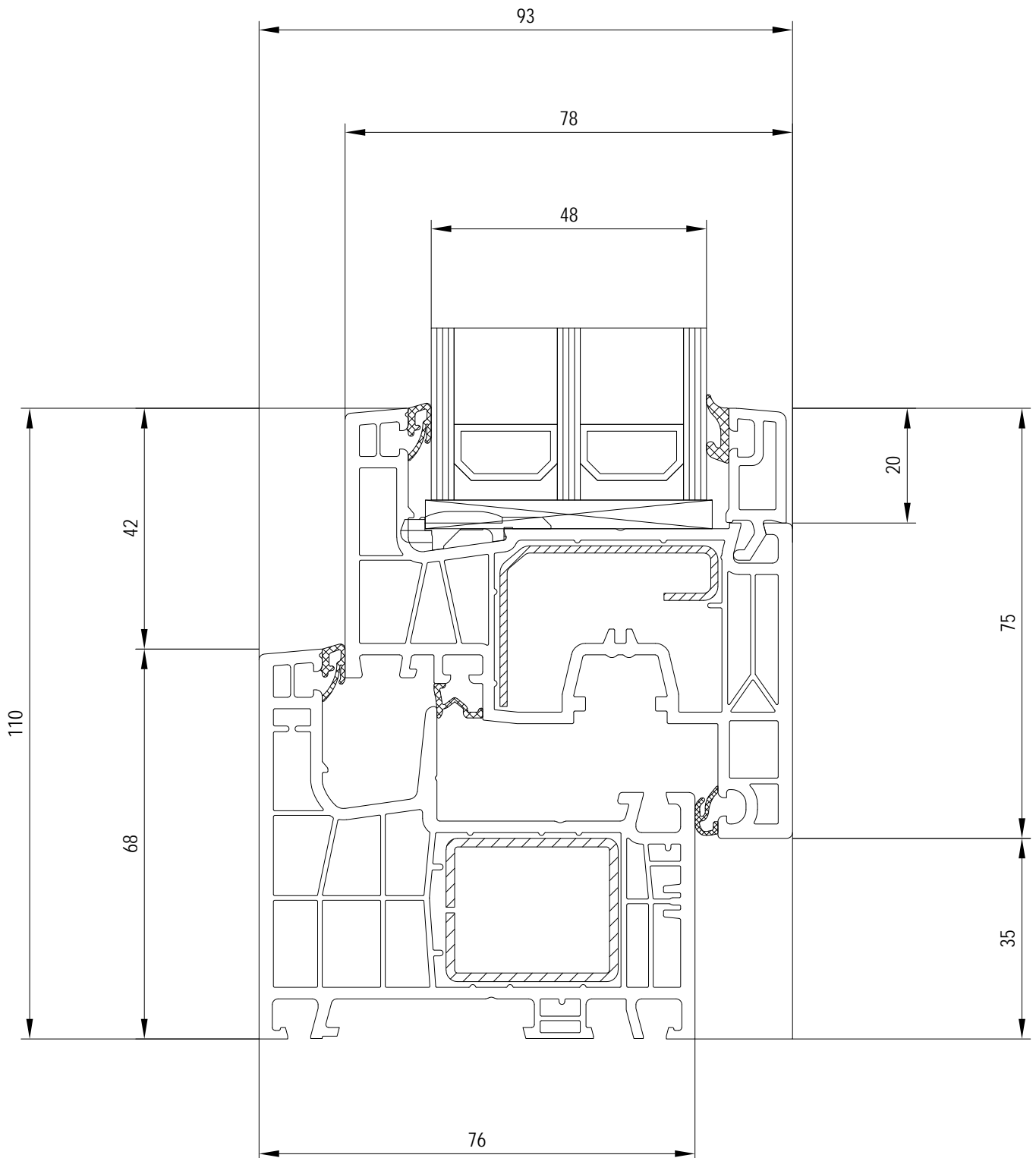
Sos. ODAII nr. 439 / Sector 1 RO
- 013606 Bukarest

tel: +40 31 425 05 06
fax: +40 31 425 05 07
info@aluplast.ro
www.aluplast.ro

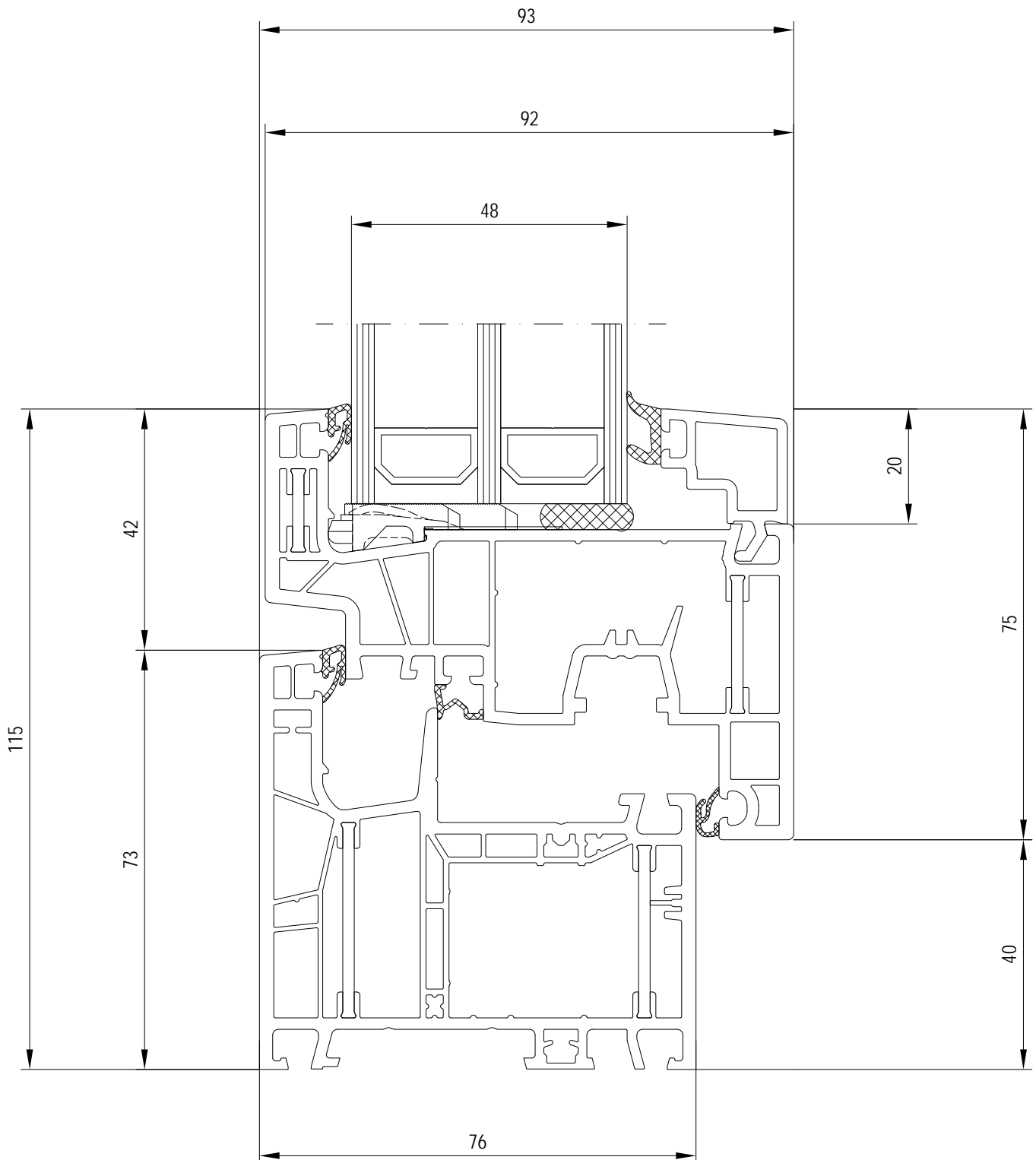
Program



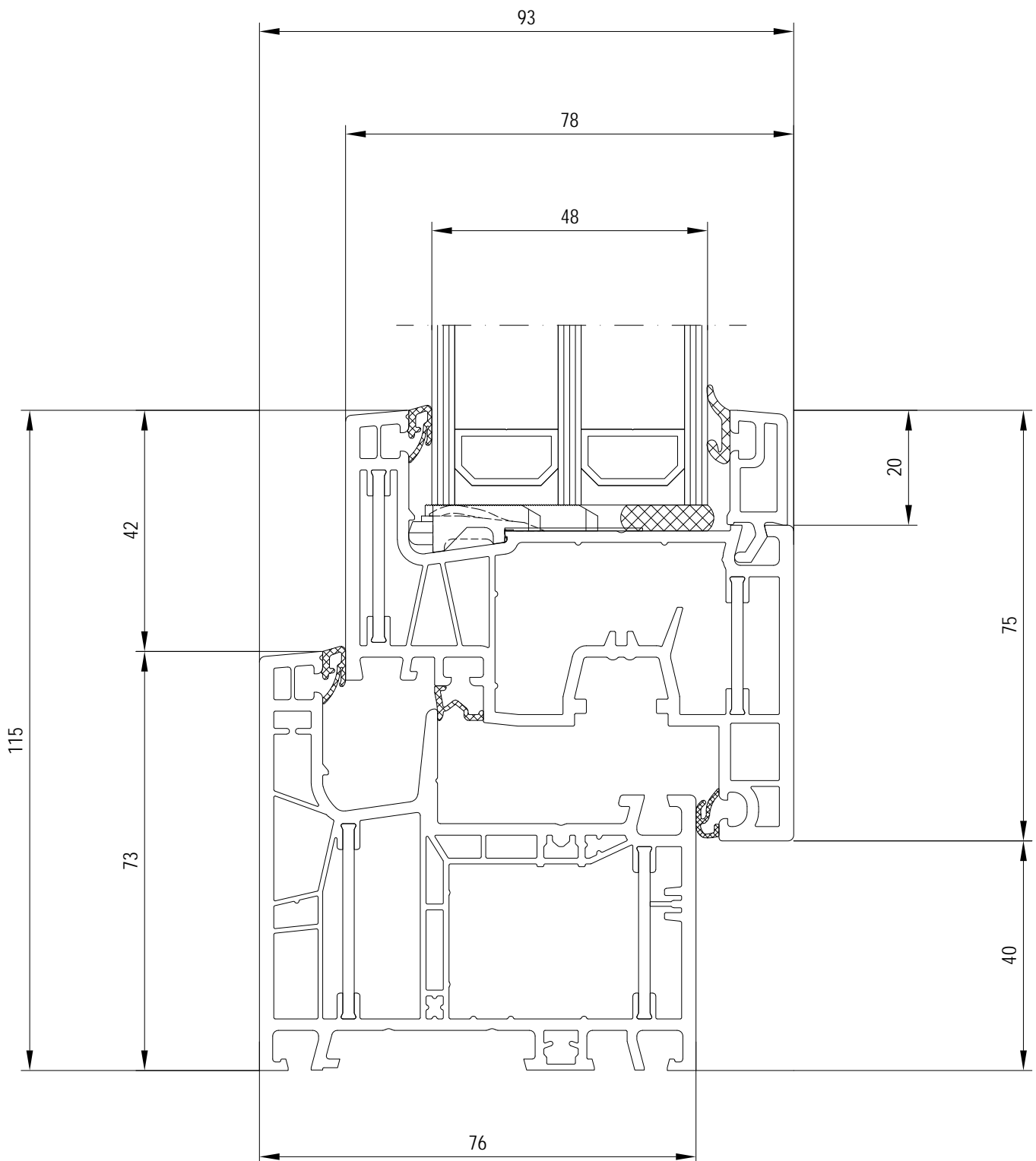
frame profile 76mm: 160x01
 sash profile 78mm: 160x20
 glazing bead: 150832



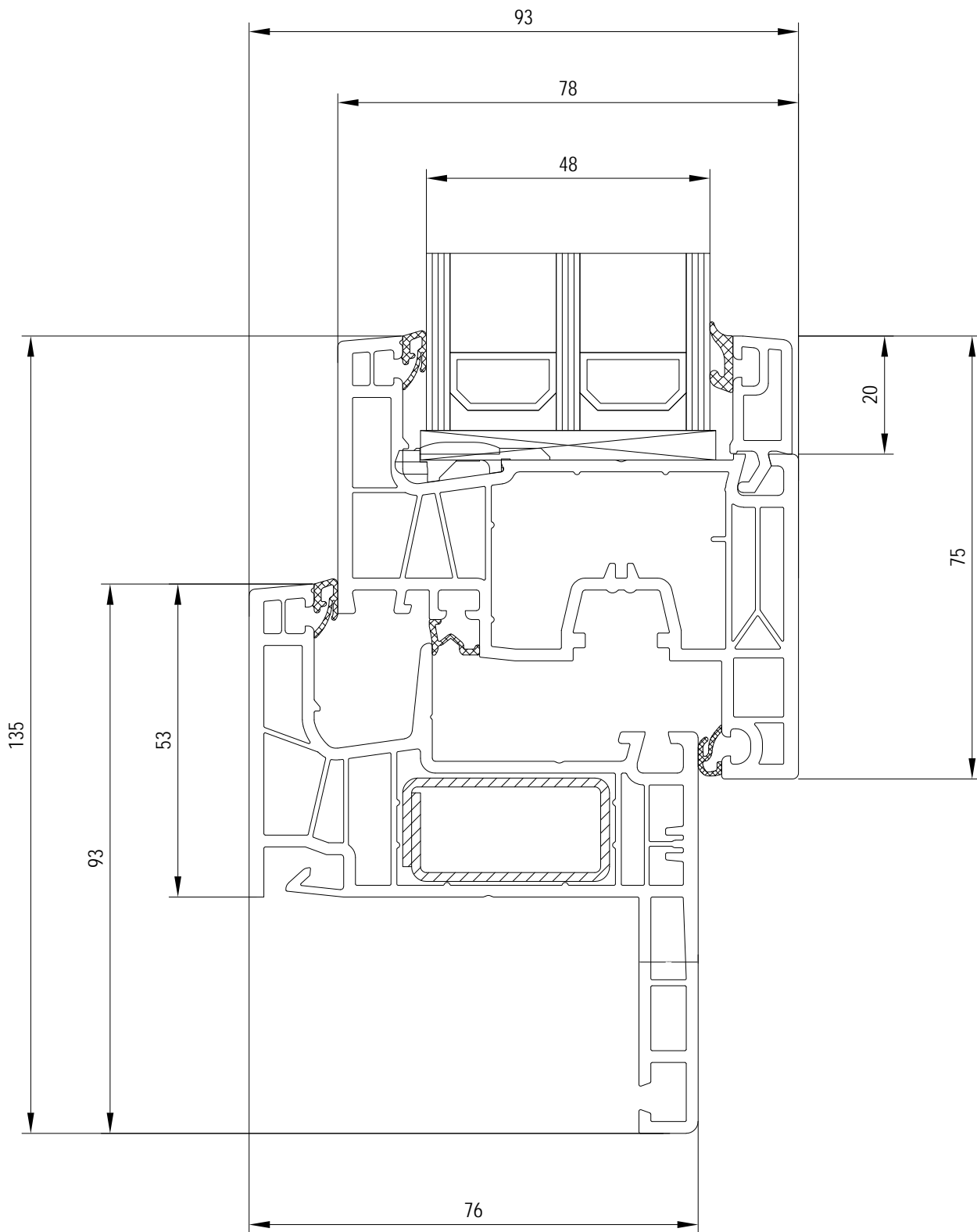
frame profile 76mm: 160x07
 sash profile 78mm: 160x20
 glazing bead: 150832



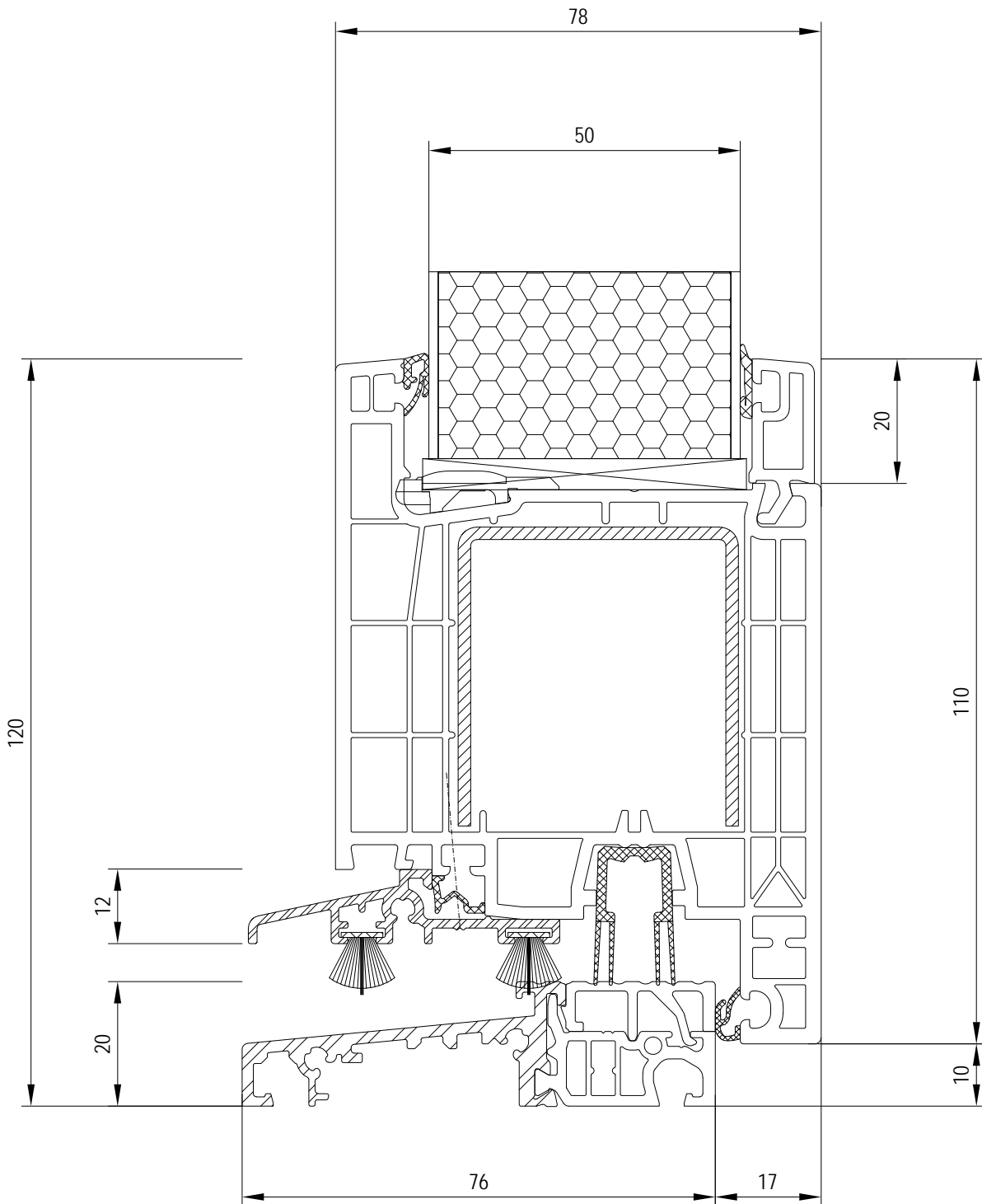
frame profile 76mm: 060x05
 sash profile 78mm: 060x27
 glazing bead: 150734



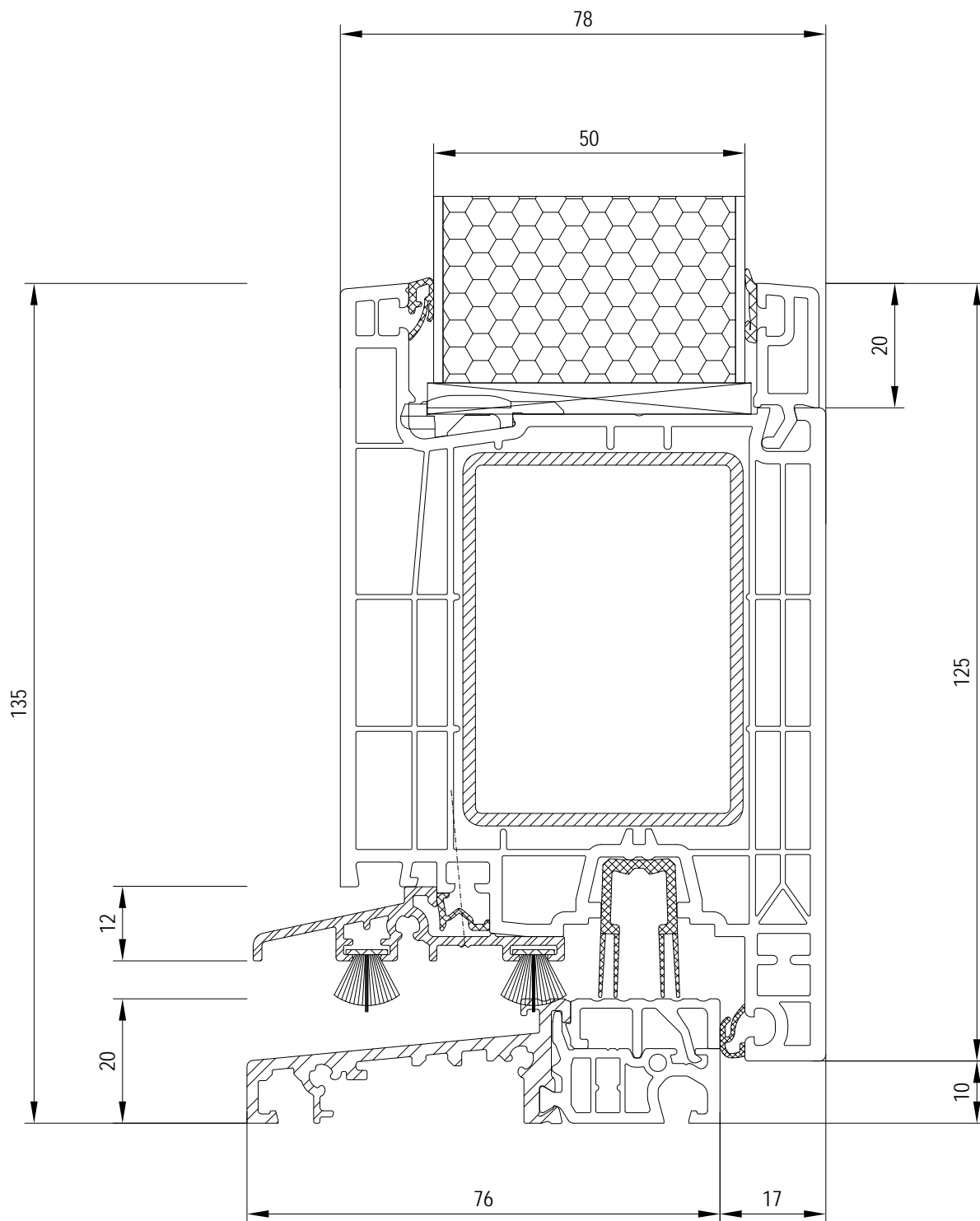
frame profile 76mm: 060x05
 sash profile 78mm: 060x20
 glazing bead: 150832



frame profile 76mm: 160x15
 sash profile 78mm: 160x20
 glazing bead: 150632

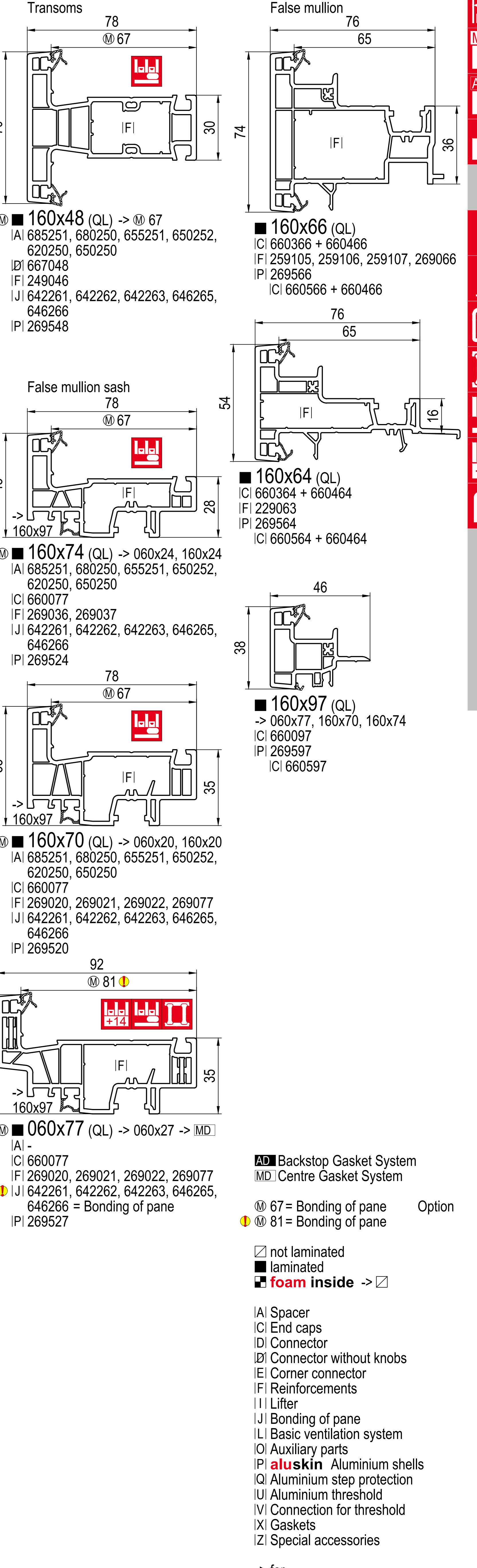
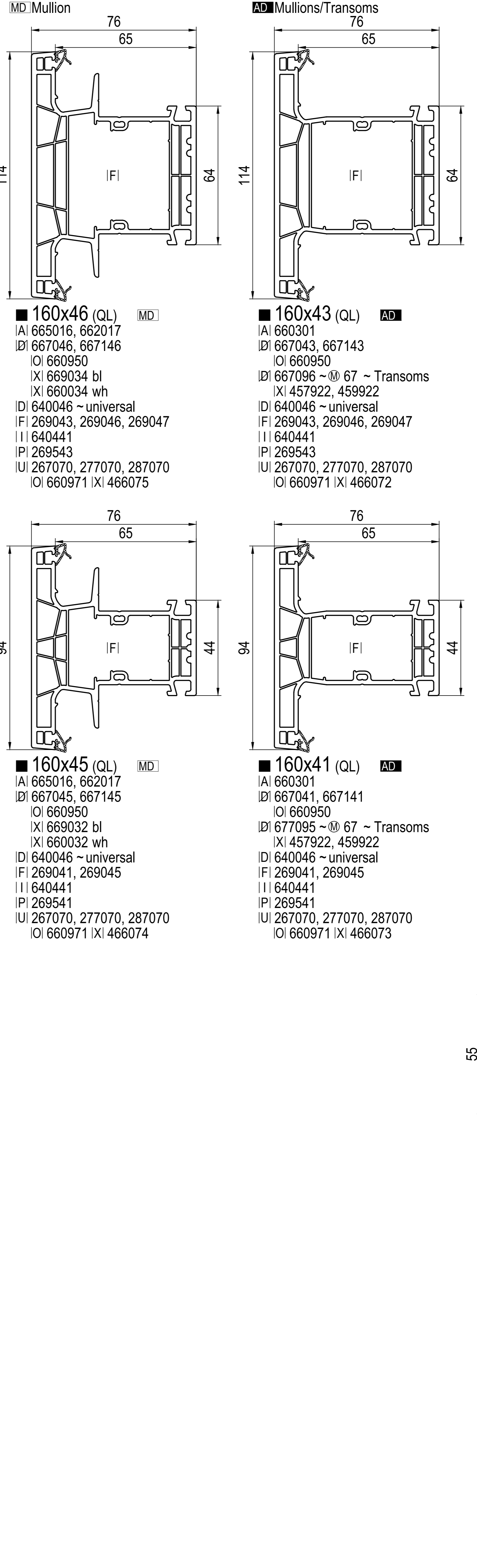
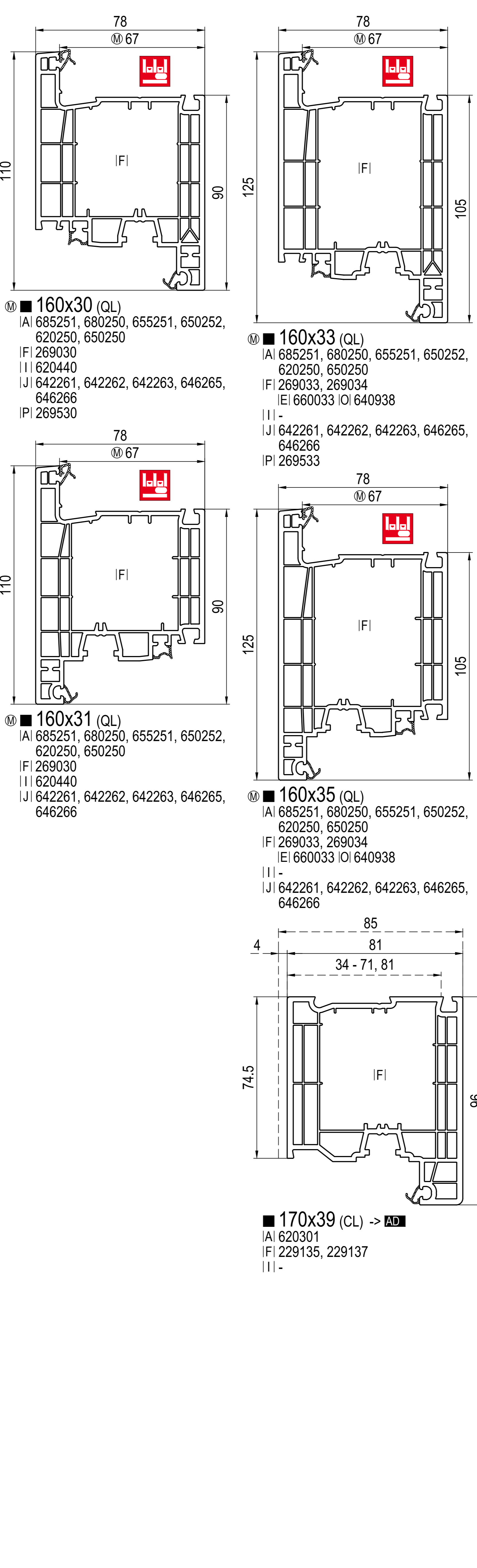
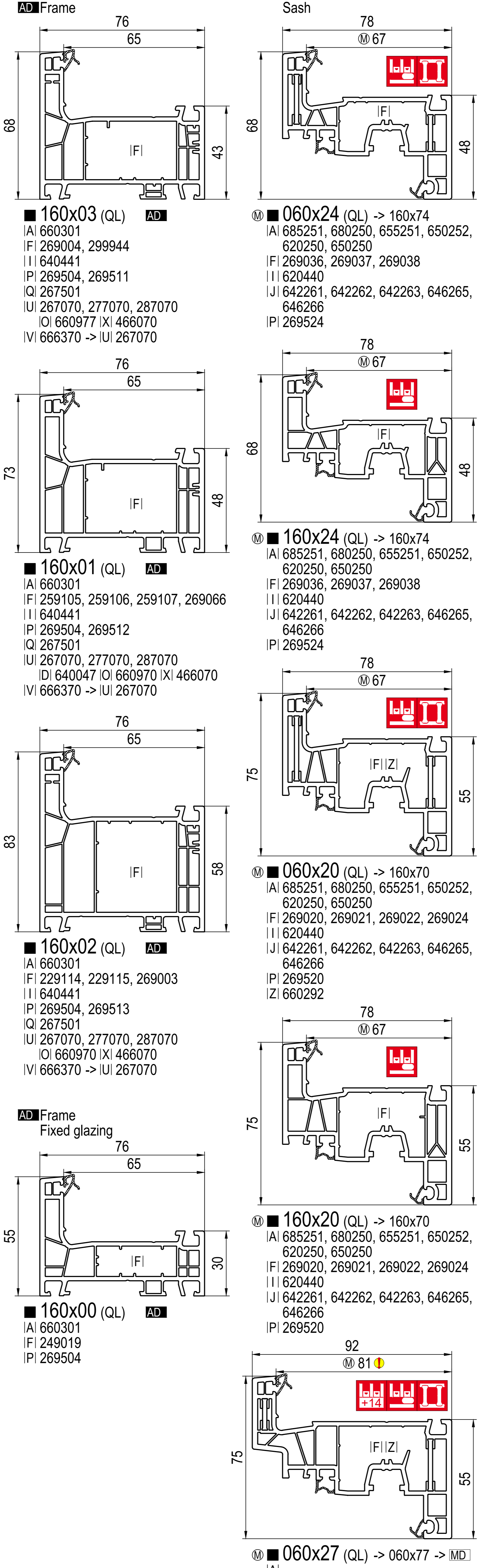
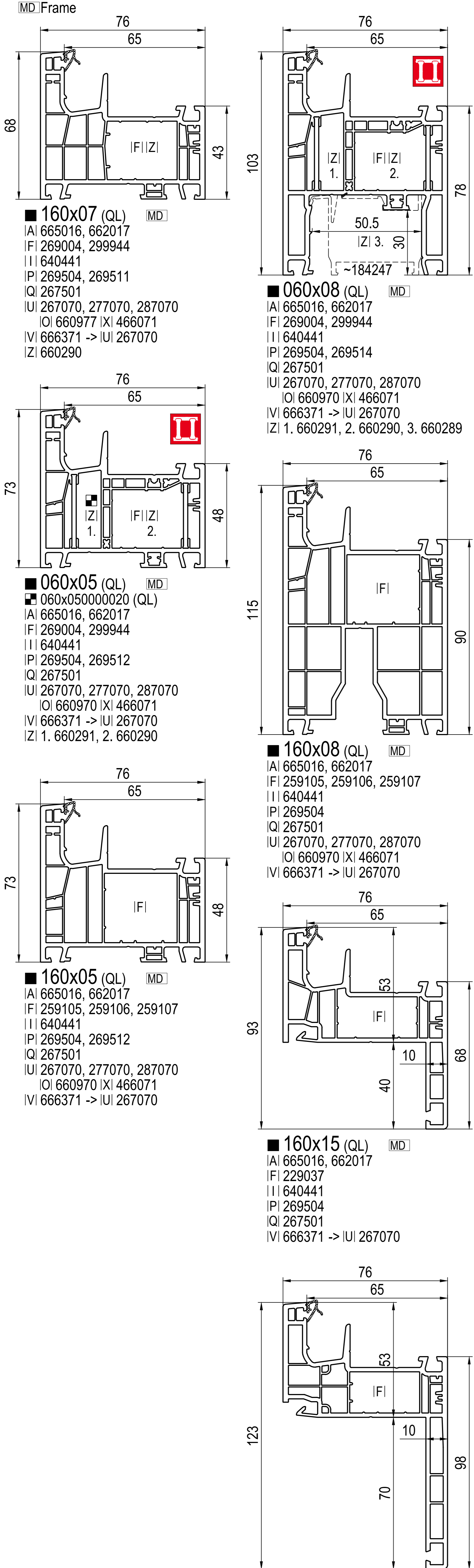


sash profile 78mm: 160x30
 threshold profile 76mm: 267070
 glazing bead: 150632



sash profile 78mm: 160x33
 threshold profile 76mm: 267070
 glazing bead: 150632

Main Profiles



■ 160x07 (QL) MD
IA 665016, 662017
FI 269004, 299944
II 640441
PI 269504, 269511
QI 267501
UI 267070, 277070, 287070
VI 660977 IXI 466071
VII 666371 -> UI 267070
Z 660290

■ 060x05 (QL) MD
■ 060x050000020 (QL)
IA 665016, 662017
FI 269004, 299944
II 640441
PI 269504, 269512
QI 267501
UI 267070, 277070, 287070
VI 660970 IXI 466071
VII 666371 -> UI 267070
Z 1. 660291, 2. 660290

■ 160x05 (QL) MD
IA 665016, 662017
FI 259105, 259106, 259107
II 640441
PI 269504, 269512
QI 267501
UI 267070, 277070, 287070
VI 660970 IXI 466071
VII 666371 -> UI 267070

■ 160x15 (QL) MD
IA 665016, 662017
FI 229037
II 640441
PI 269504
QI 267501
UI 267070

■ 160x09 (QL) MD
IA 665016, 662017
FI 269101, 269102
II 640441
PI 269504
QI 267501
UI 666371 -> UI 267070

■ 160x03 (QL) AD
IA 660301
FI 269004, 299944
II 640441
PI 269504, 269511
QI 267501
UI 267070, 277070, 287070
VI 660977 IXI 466070
VII 666370 -> UI 267070

■ 060x24 (QL) -> 160x74
IA 685251, 680250, 655251, 650252, 620250, 650250
FI 269036, 269037, 269038
II 620440
JI 642261, 642262, 642263, 646265, 646266
PI 269524

■ 160x24 (QL) -> 160x74
IA 685251, 680250, 655251, 650252, 620250, 650250
FI 269036, 269037, 269038
II 620440
JI 642261, 642262, 642263, 646265, 646266
PI 269524

■ 160x01 (QL) AD
IA 660301
FI 259105, 259106, 259107, 269066
II 640441
PI 269504, 269512
QI 267501
UI 267070, 277070, 287070
VI 640047 IXI 466070 IXI 466070
VII 666370 -> UI 267070

■ 160x02 (QL) AD
IA 660301
FI 229114, 229115, 269003
II 640441
PI 269504, 269513
QI 267501
UI 267070, 277070, 287070
VI 660970 IXI 466070
VII 666370 -> UI 267070

■ 160x00 (QL) AD
IA 660301
FI 249019
PI 269504

■ 060x20 (QL) -> 160x70
IA 685251, 680250, 655251, 650252, 620250, 650250
FI 269020, 269021, 269022, 269024
II 620440
JI 642261, 642262, 642263, 646265, 646266
PI 269520
Z 660292

■ 160x20 (QL) -> 160x70
IA 685251, 680250, 655251, 650252, 620250, 650250
FI 269020, 269021, 269022, 269024
II 620440
JI 642261, 642262, 642263, 646265, 646266
PI 269520

■ 060x27 (QL) -> 060x77 -> MD
IA -
FI 269020, 269021, 269022, 269024
II 620440
JI 642261, 642262, 642263, 646265, 646266 = Bonding of pane
PI 269527
Z 660292

■ 160x30 (QL)
IA 685251, 680250, 655251, 650252, 620250, 650250
FI 269030
II 620440
JI 642261, 642262, 642263, 646265, 646266
PI 269533

■ 160x33 (QL)
IA 685251, 680250, 655251, 650252, 620250, 650250
FI 269033, 269034
II -
JI 642261, 642262, 642263, 646265, 646266
PI 269533

■ 160x31 (QL)
IA 685251, 680250, 655251, 650252, 620250, 650250
FI 269030
II 620440
JI 642261, 642262, 642263, 646265, 646266

■ 160x35 (QL)
IA 685251, 680250, 655251, 650252, 620250, 650250
FI 269033, 269034
II -
JI 642261, 642262, 642263, 646265, 646266

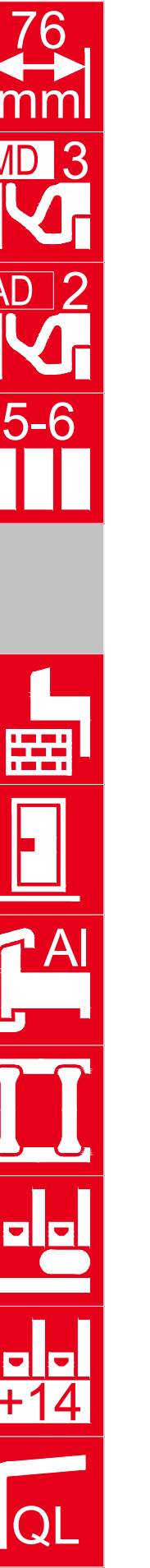
■ 170x39 (CL) -> AD
IA 620301
FI 229135, 229137
II -

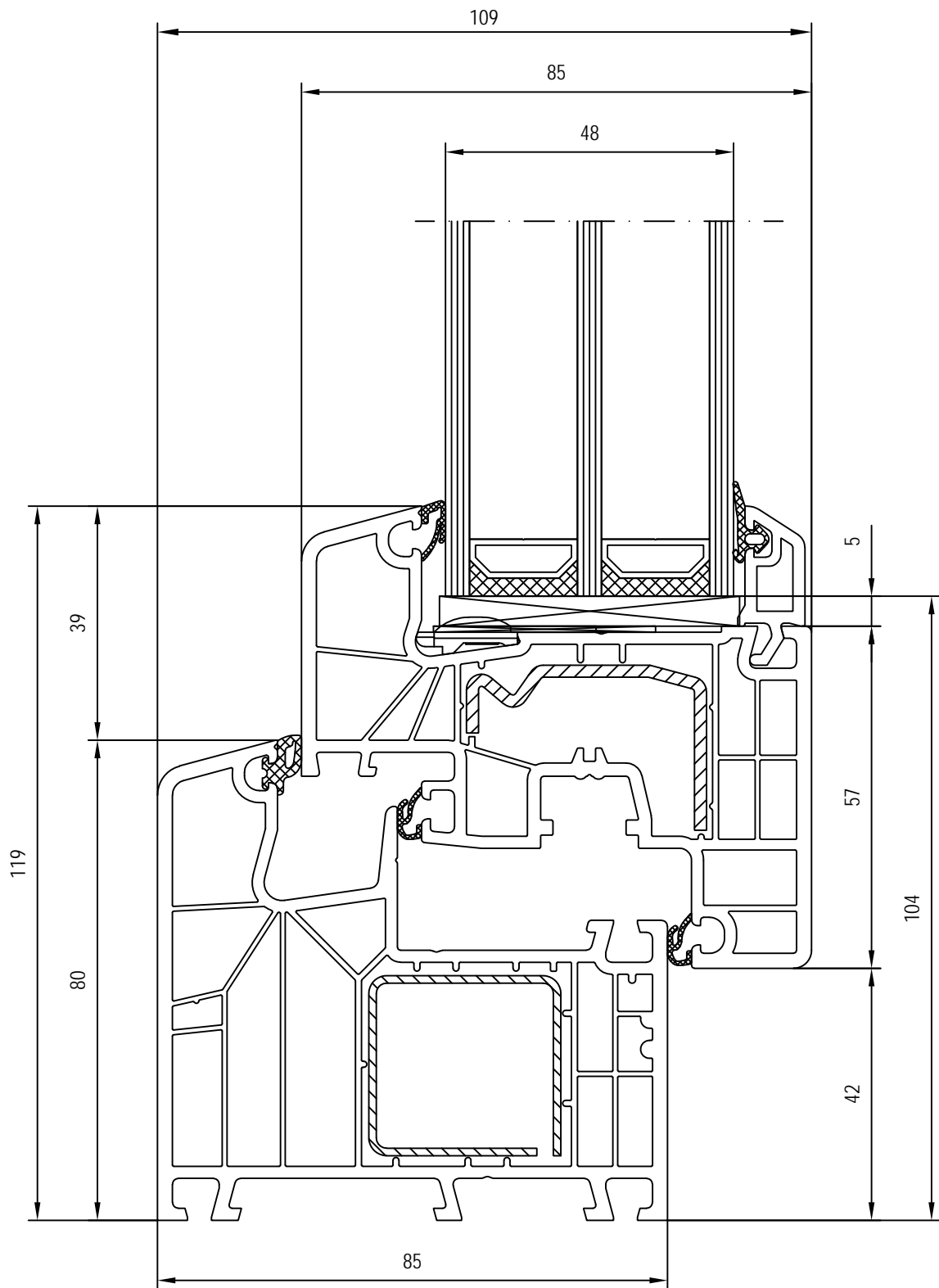
■ 160x46 (QL) MD
IA 665016, 662017
FI 667046, 667146
II 660950
IXI 669034 bl
IXI 669034 wh
ID 640046 ~ universal
FI 269043, 269046, 269047
II 640441
PI 269543
UI 267070, 277070, 287070
VI 660971 IXI 466075

■ 160x45 (QL) MD
IA 665016, 662017
FI 667045, 667145
II 660950
IXI 669032 bl
IXI 669032 wh
ID 640046 ~ universal
FI 269041, 269045
II 640441
PI 269541
UI 267070, 277070, 287070
VI 660971 IXI 466074

■ 160x43 (QL) AD
IA 660301
FI 667043, 667143
II 660950
ID 667096 ~ 67 - Transoms
IXI 457922, 459922
ID 640046 ~ universal
FI 269043, 269046, 269047
II 640441
PI 269543
UI 267070, 277070, 287070
VI 660971 IXI 466072

■ 160x41 (QL) AD
IA 660301
FI 667041, 667141
II 660950
ID 677095 ~ 67 - Transoms
IXI 457922, 459922
ID 640046 ~ universal
FI 269041, 269045
II 640441
PI 269541
UI 267070, 277070, 287070
VI 660971 IXI 466073

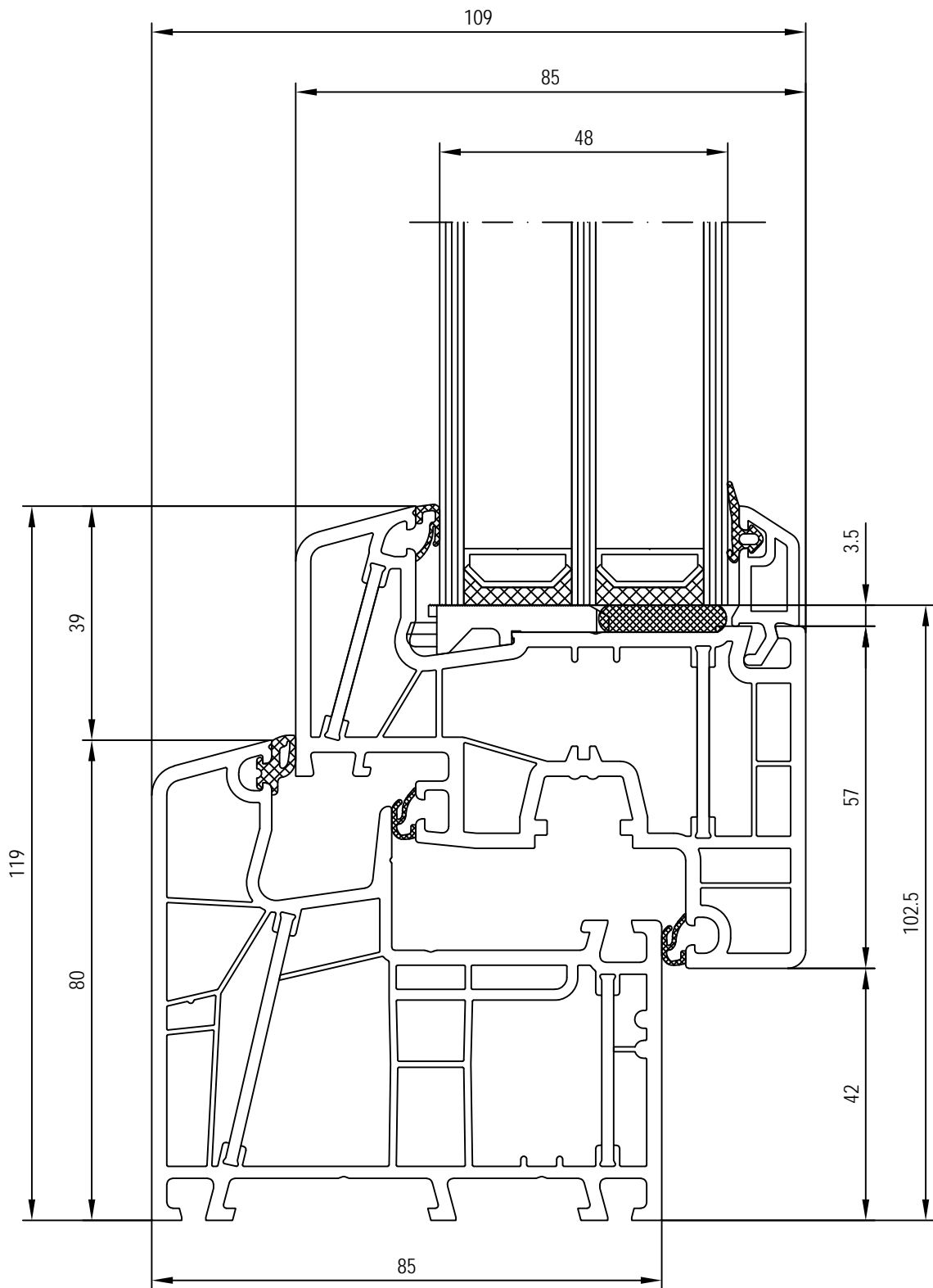




frame profile 85mm: 180x05
 sash profile 85mm: 180x20
 glazing bead: 120632



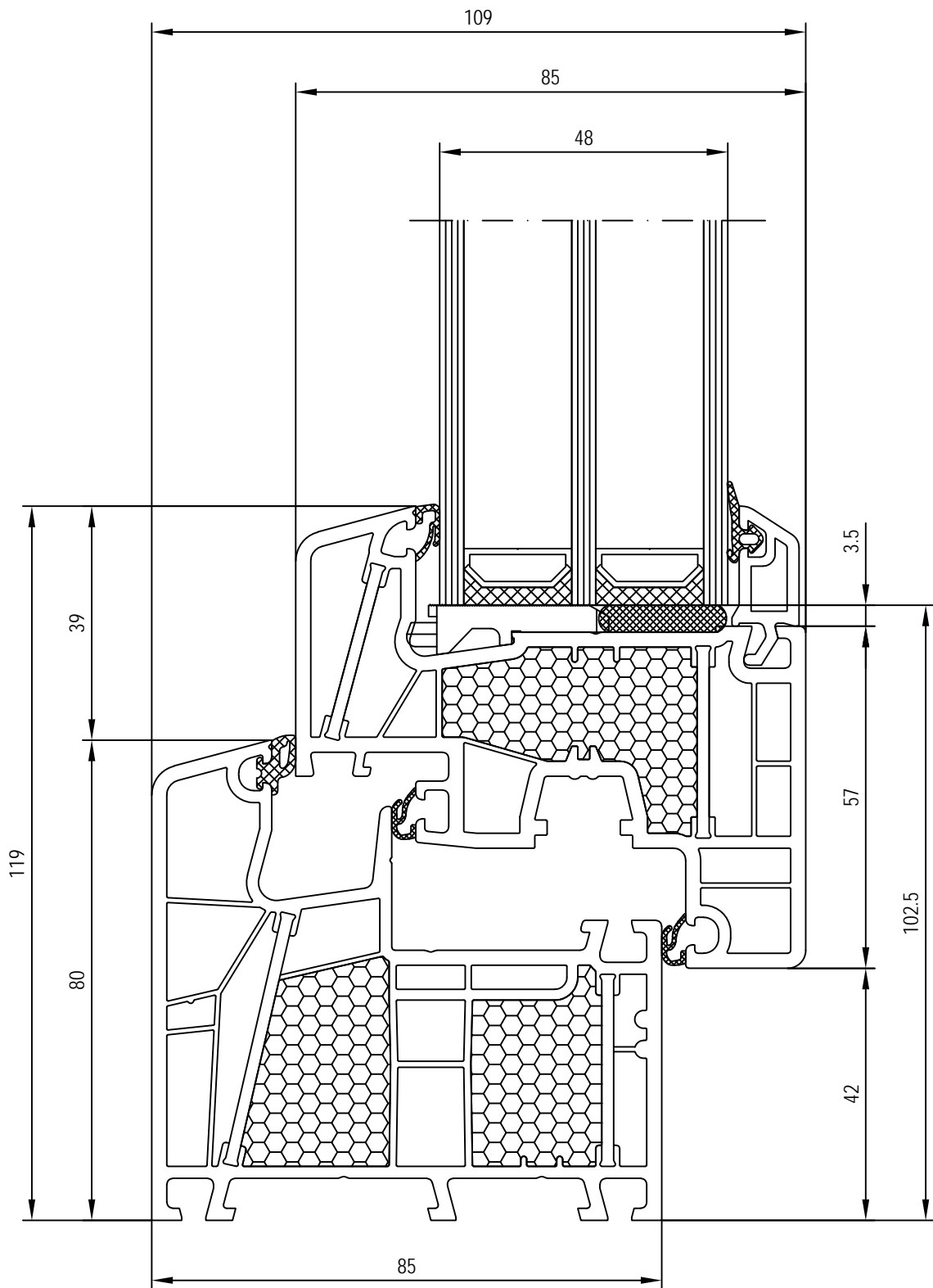
IDEAL 8000
 profile section



frame profile 85mm: 080x05
 sash profile 85mm: 080x20
 glazing bead: 120632



IDEAL 8000 - energeto 8000
 profile section

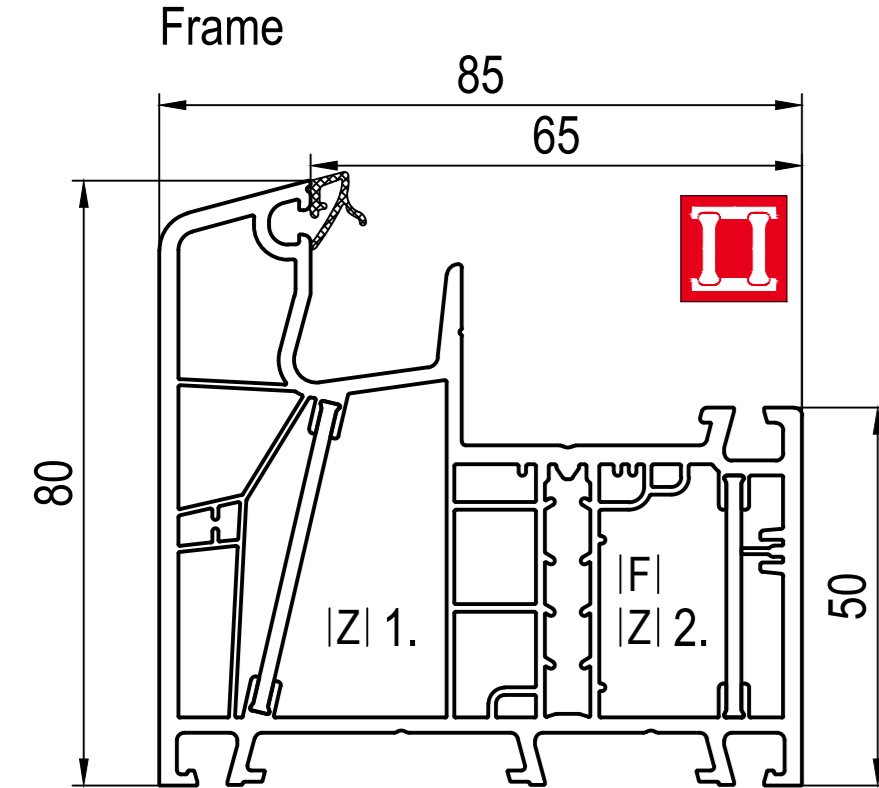


frame profile 85mm: 080x05 foam
 sash profile 85mm: 080x20 foam
 glazing bead: 120632

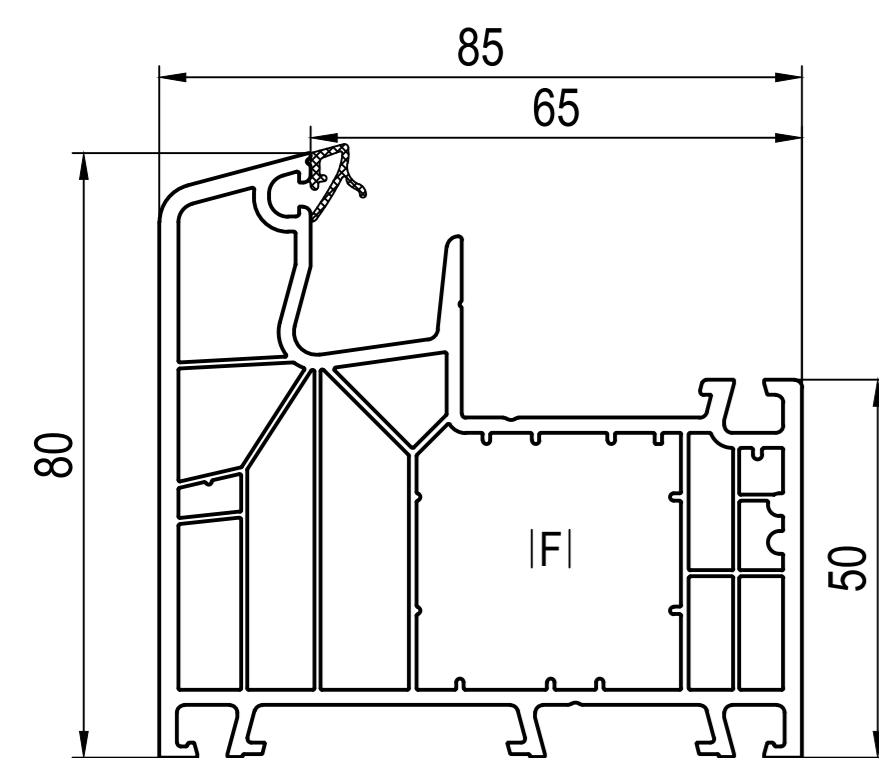


IDEAL 8000 - energeto 8000 + foam inside
 profile section

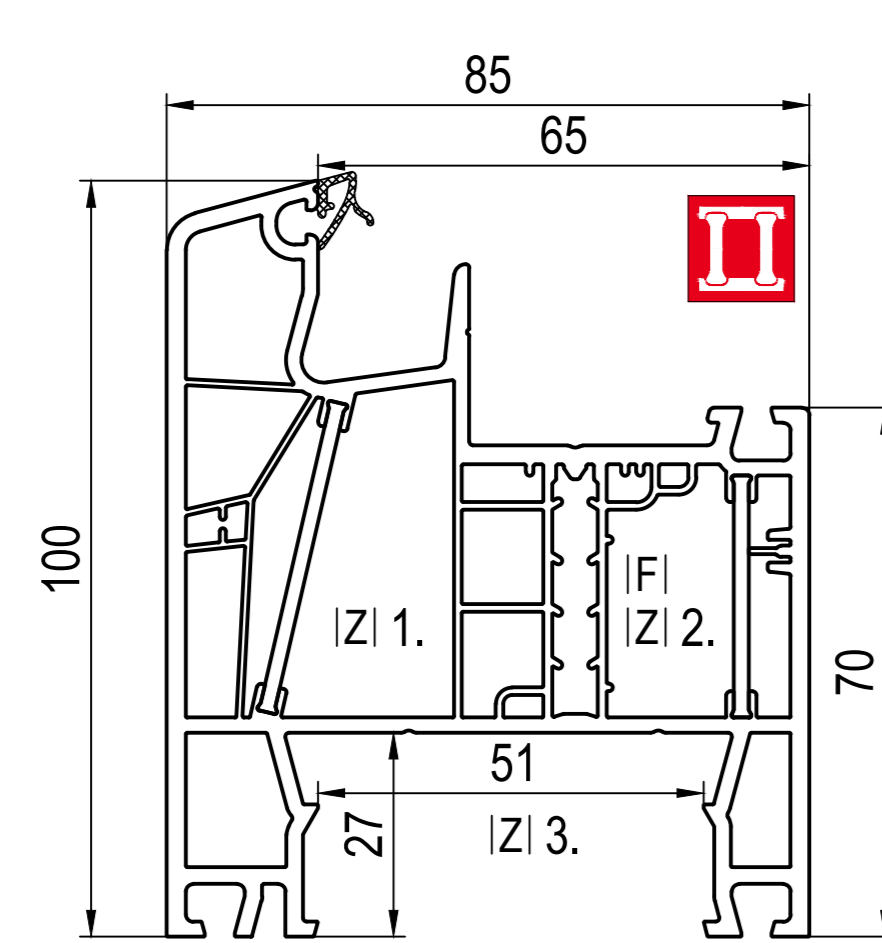
Main Profiles



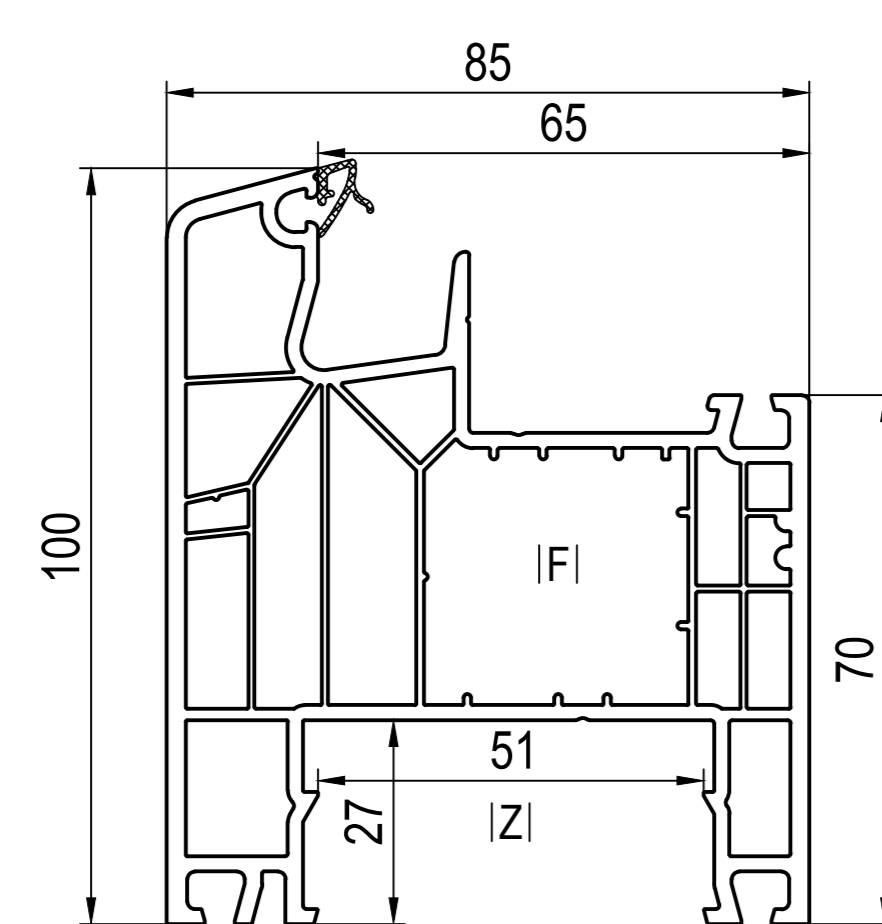
■ **080x05 (CL)**
AI 680016, 680321
FI 289019
II 640441
PI 289304, 289313
QI 287301, 287303
UI 277070, 287070
OI 680970 XI 476070
VI 686371 -> UI 277070
ZI 1. 680286, 2. 680285



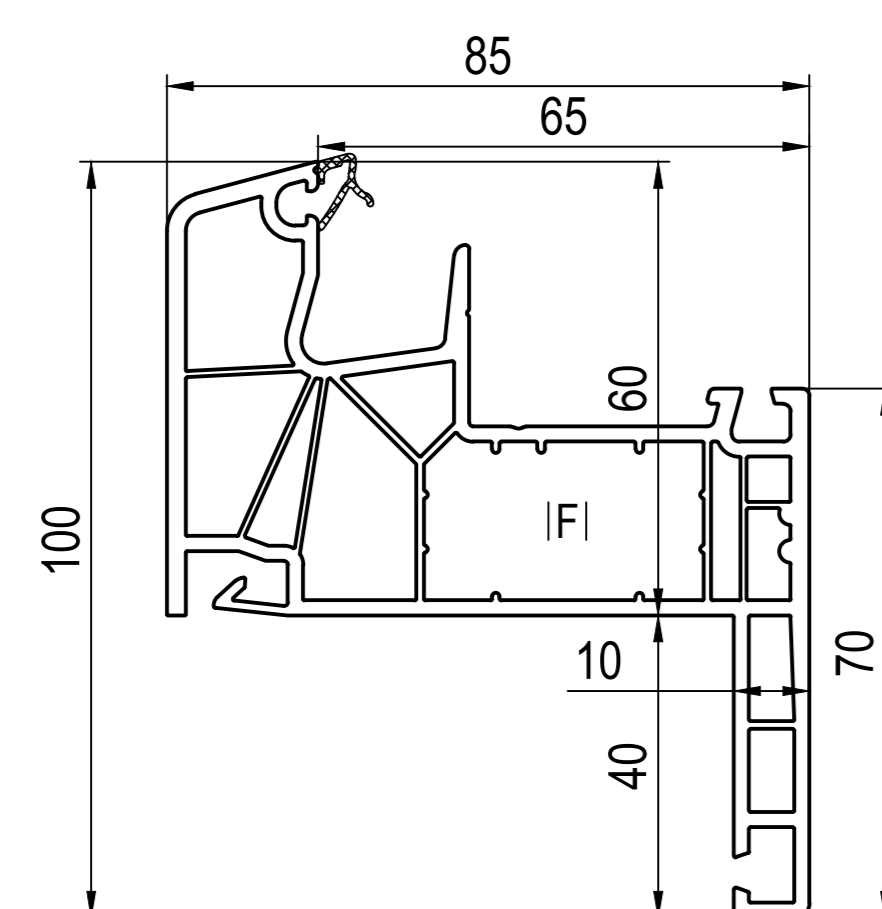
■ **180x050000098 (CL)**
AI 680016, 680321
FI 249014, 249015, 249016, 259105, 259106, 259107
II 640441
PI 289304, 289313
QI 287301, 287303
UI 277070, 287070
OI 640047 OI 680970 XI 476070
VI 686371 -> UI 277070



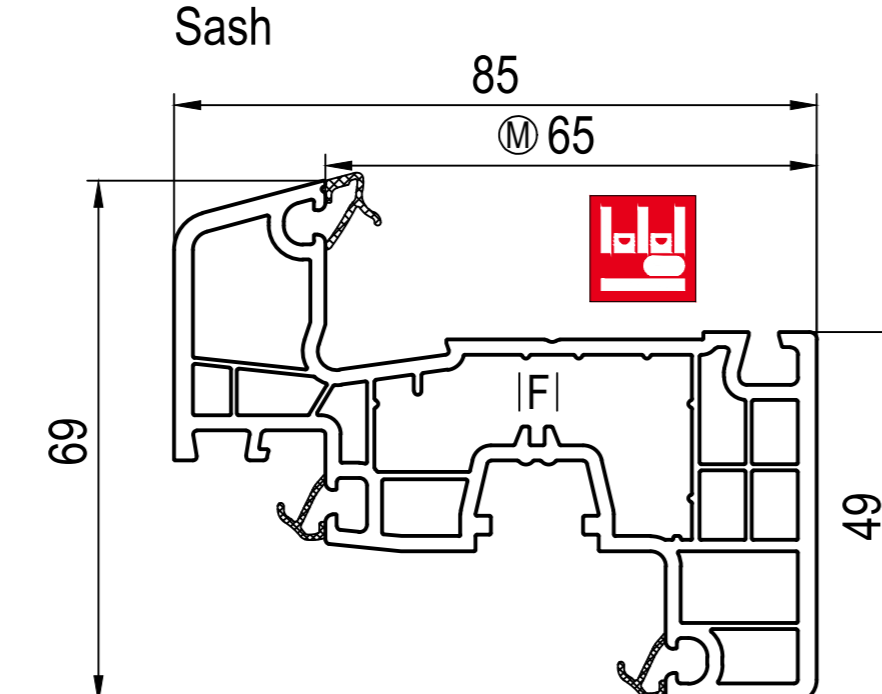
■ **080x04 (CL)**
AI 680016, 680321
FI 289019
II 640441
PI 289304, 289314
QI 287301, 287303
UI 277070, 287070
OI 680970 XI 476070
VI 686371 -> UI 277070
ZI 1. 680286, 2. 680285, 3. 680289



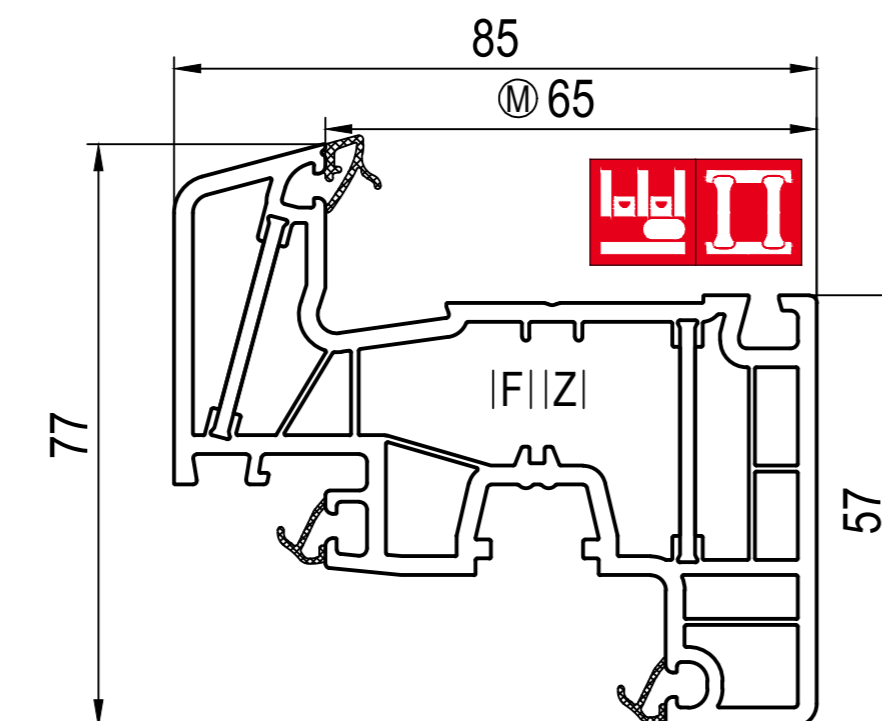
■ **180x040000098 (CL)**
AI 680016, 680321
FI 249014, 249015, 249016, 259105, 259106, 259107
II 640441
PI 289304, 289314
QI 287301, 287303
UI 277070, 287070
OI 640047 OI 680970 XI 476070
VI 686371 -> UI 277070
ZI 680289



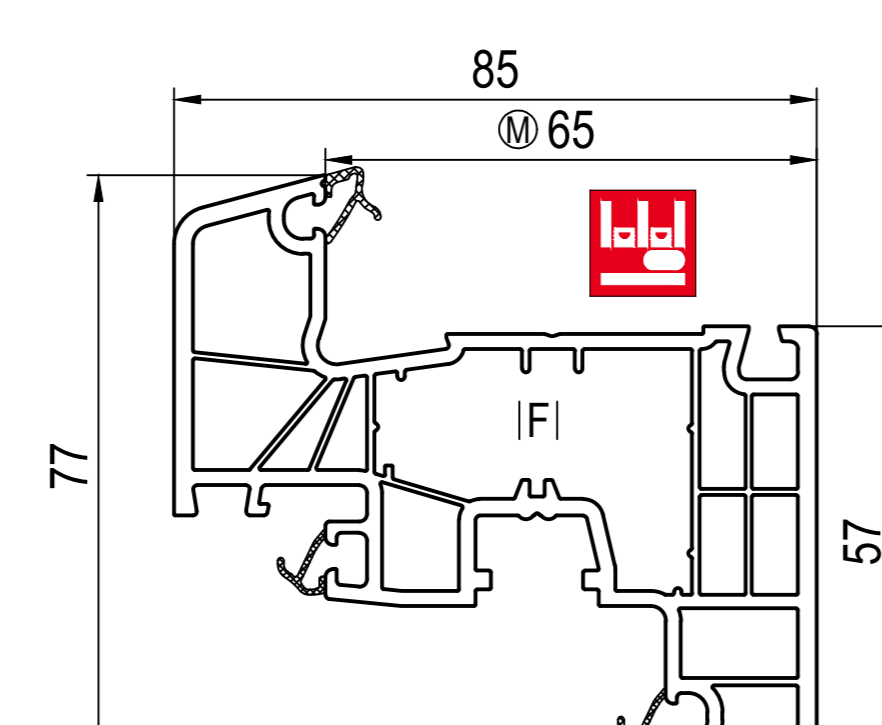
■ **180x15 (CL)**
AI 680016, 680321
FI 229037
II 640441
PI 289304
QI 287301, 287303
VI 686371 -> UI 277070



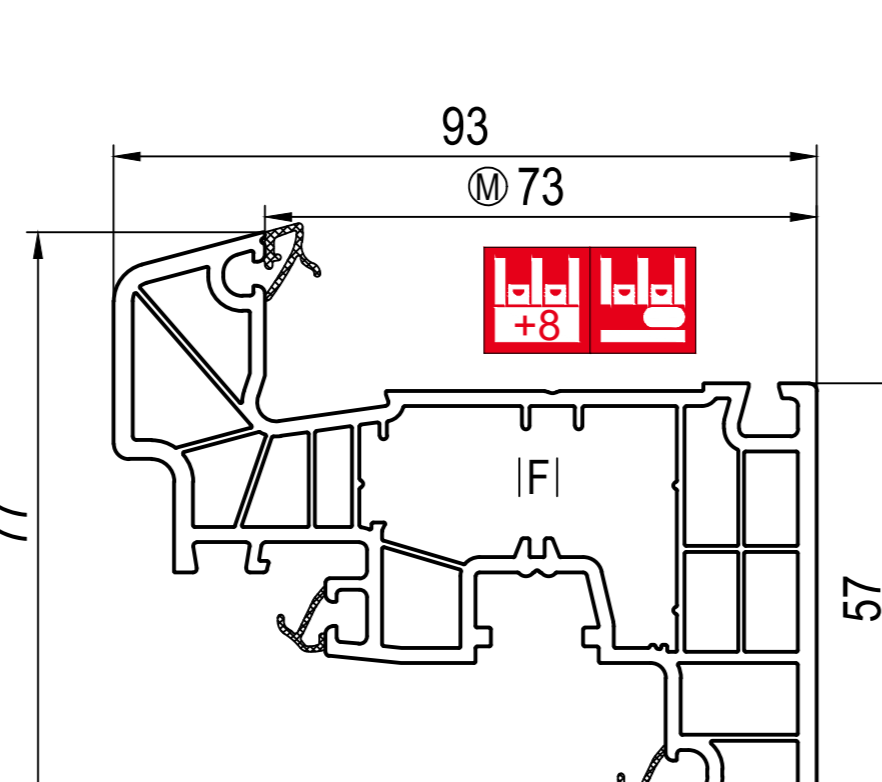
■ **180x24 (CL)**
AI 685251, 680250, 655251, 650252, 620250, 650250
FI 259024, 259028, 289028
II 620440
JI 642261, 642262, 642263, 646265, 646266
PI 289424



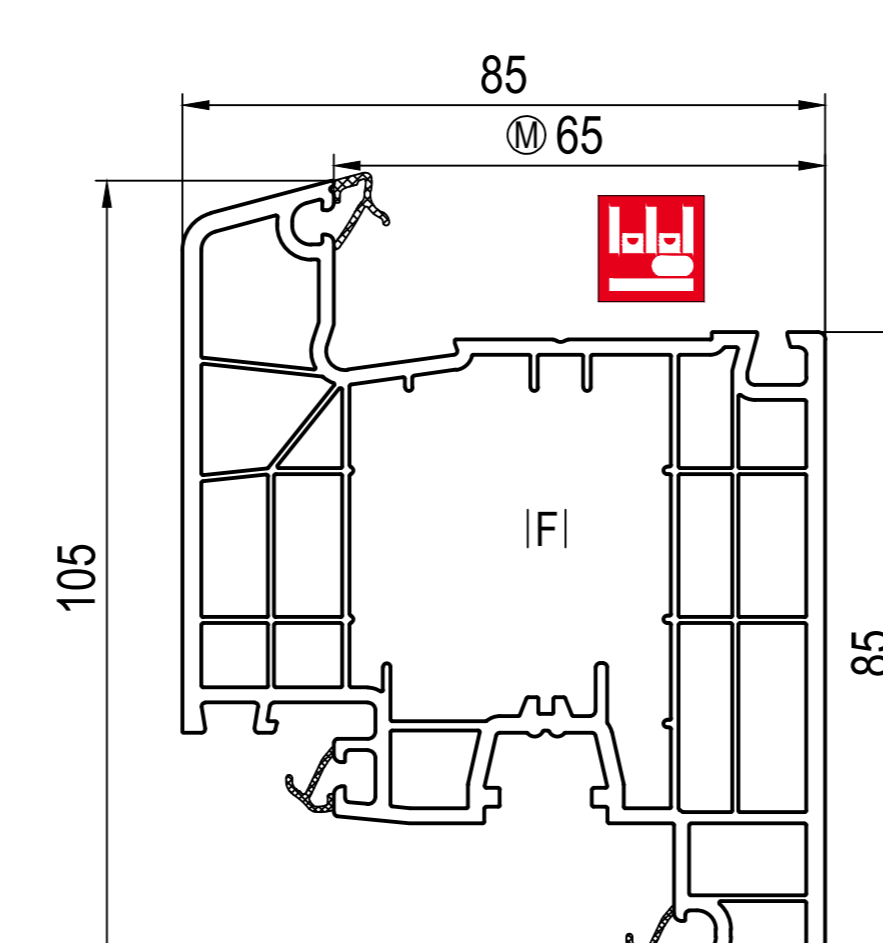
■ **080x20 (CL) ->080x89**
AI 685251, 680250, 655251, 650252, 620250, 650250
FI 259020, 259021, 259022, 259026, 289021
II 620440
JI 642261, 642262, 642263, 646265, 646266
PI 289420
ZI 650295



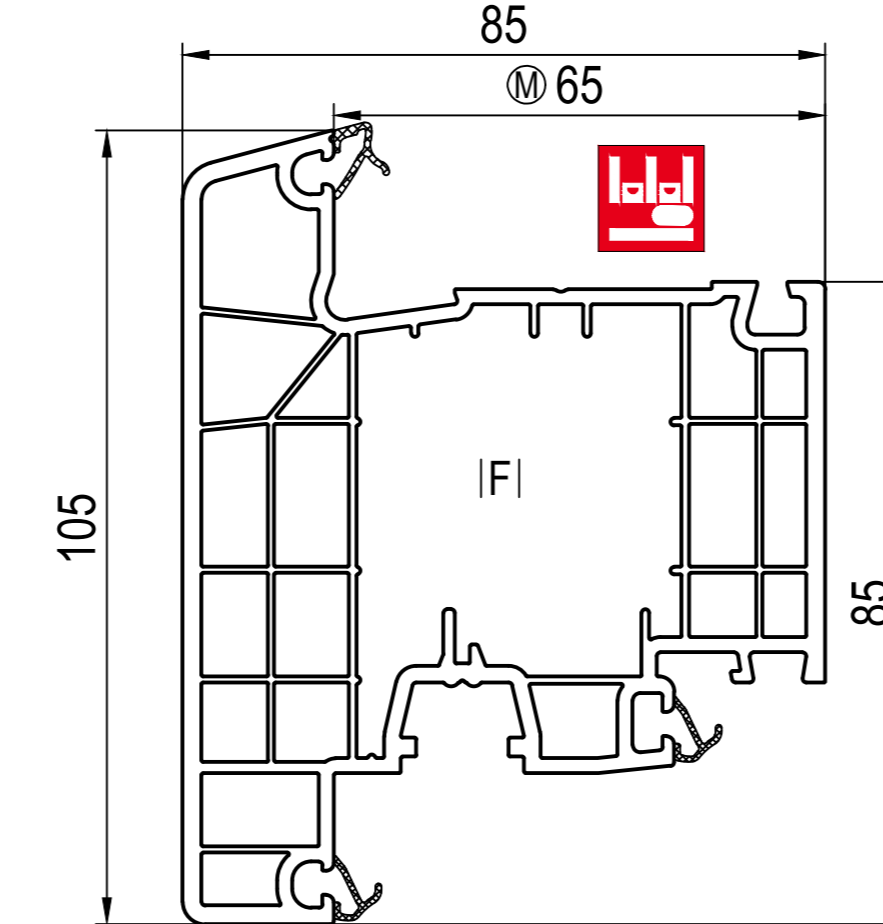
■ **180x20 (CL) ->080x89**
AI 685251, 680250, 655251, 650252, 620250, 650250
FI 259020, 259021, 259022, 259026, 289021
II 620440
JI 642261, 642262, 642263, 646265, 646266
PI 289420



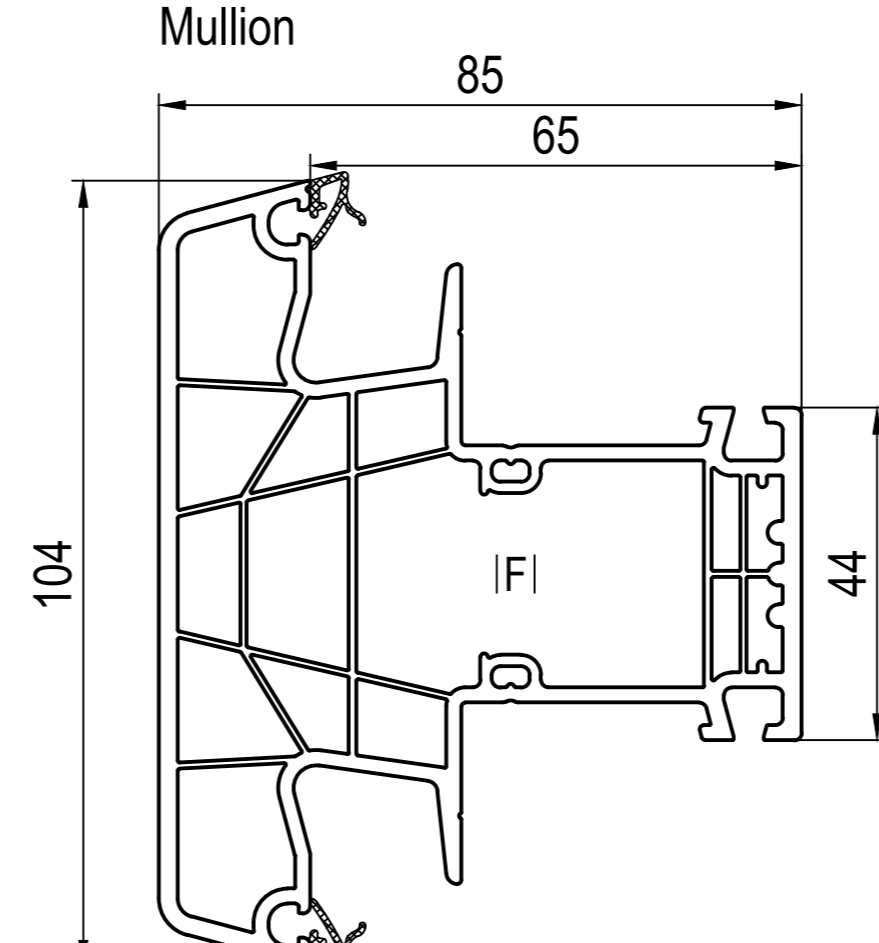
■ **180x26 (CL) ->180x69**
AI 685251, 680250, 655251, 650252, 620250, 650250
FI 259020, 259021, 259022, 259026, 289021
II 620440
JI 642261, 642262, 642263, 646265, 646266
PI 289326



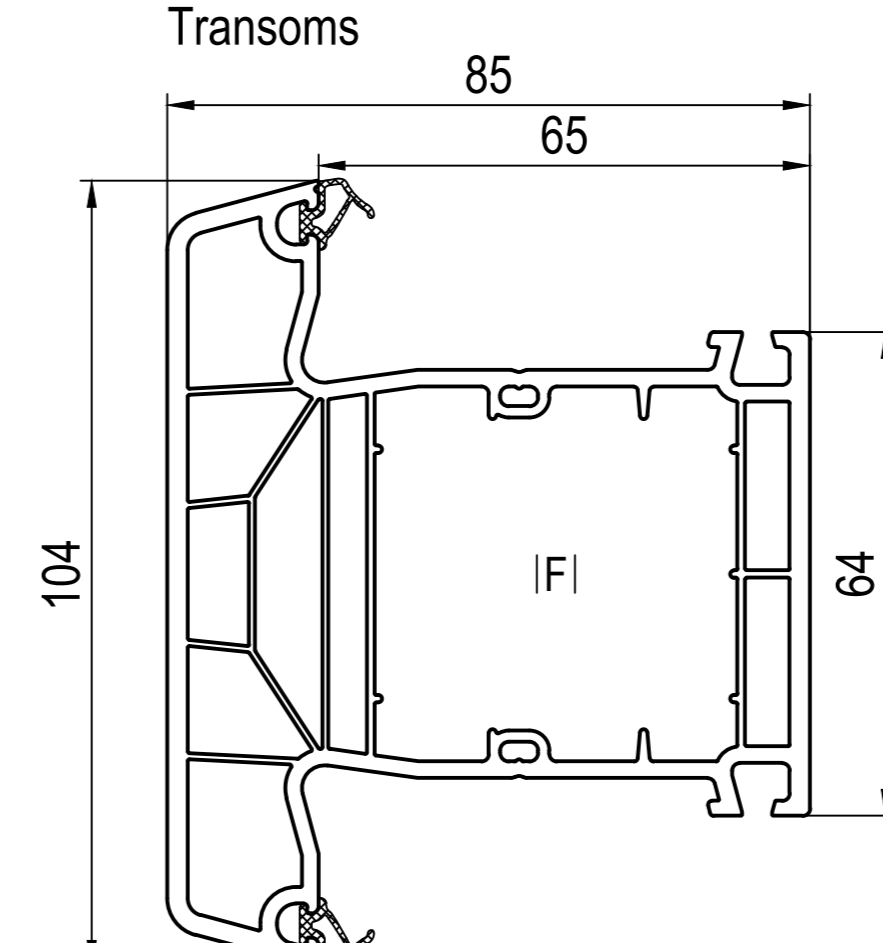
■ **180x30 (CL)**
AI 685251, 680250, 655251, 650252, 620250, 650250
FI 229114, 229115 *, 259031
* EI 640031 OI 640938
II 620440
JI 642261, 642262, 642263, 646265, 646266
PI 289430



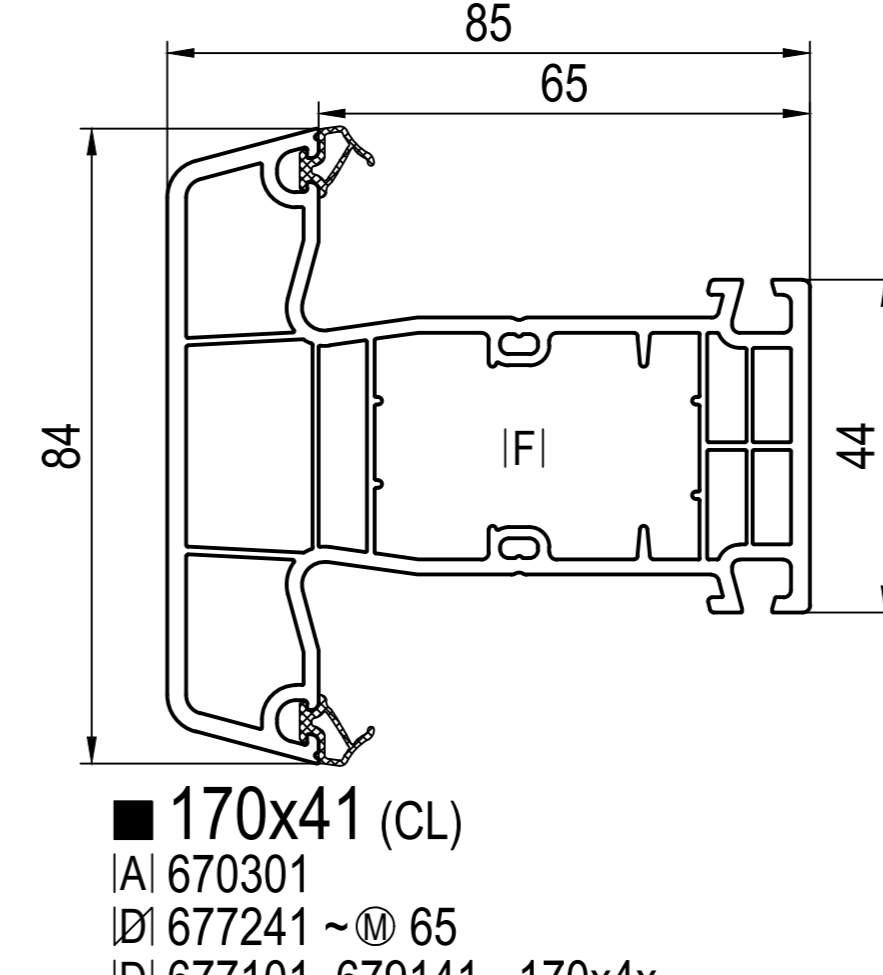
■ **180x31 (CL)**
AI 685251, 680250, 655251, 650252, 620250, 650250
FI 229114, 229115 *, 259031
* EI 640031 OI 640938
II 620440
JI 642261, 642262, 642263, 646265, 646266



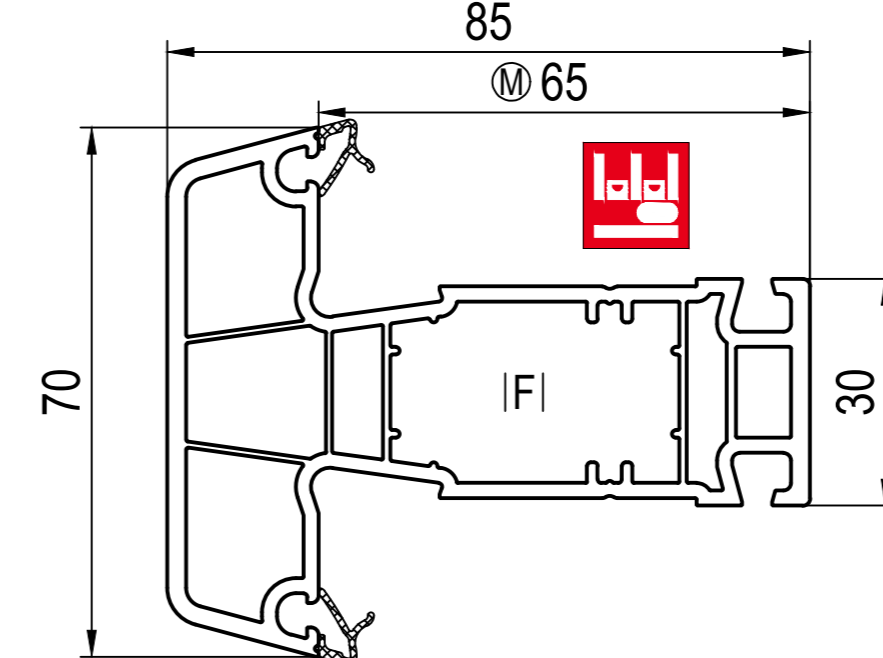
■ **180x44 (CL)**
AI 680016, 680321
DI 687131 DI 687102 ~180x0x ...
OI 680950
XI 659032, 659033 bl
XI 650032, 650033 wh
DI 640046 ~universal
FI 249034, 249035, 249039
PI 289343
UI 277070, 287070
OI 680971 XI 476072



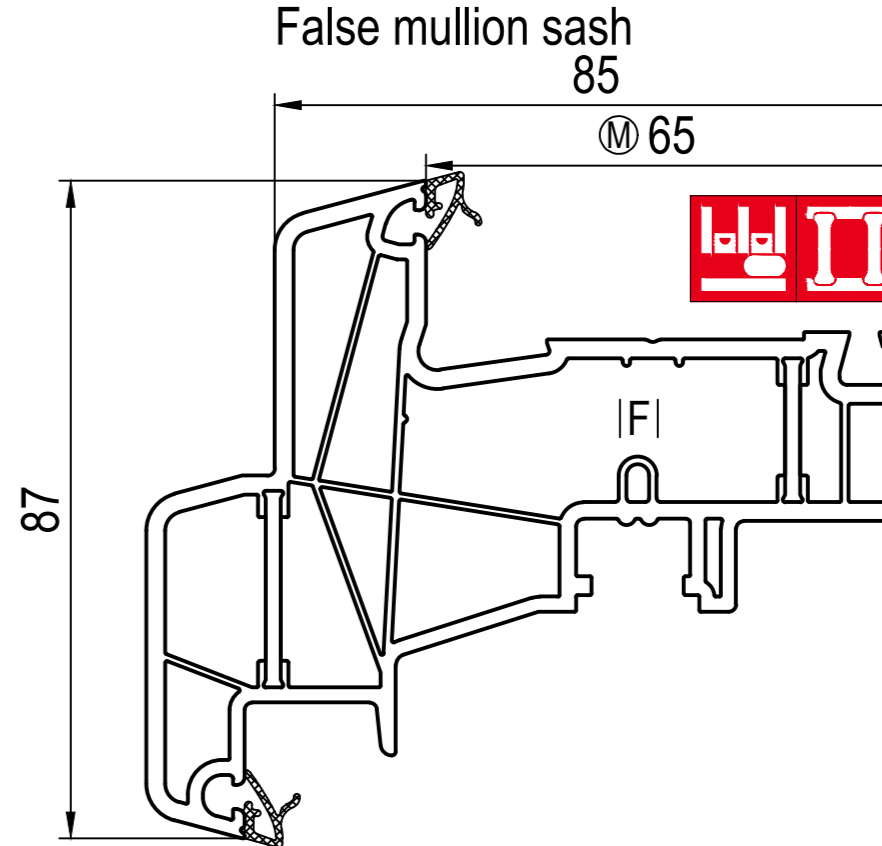
■ **170x44 (CL)**
AI 670301
DI 677244 ~Ø 65
DI 677145 DI 677146 ~170x4x ...
OI 670950
XI 659032, 659033 bl
XI 650032, 650033 wh
DI 640046 ~universal
FI 249034, 249035, 249039
PI 289343



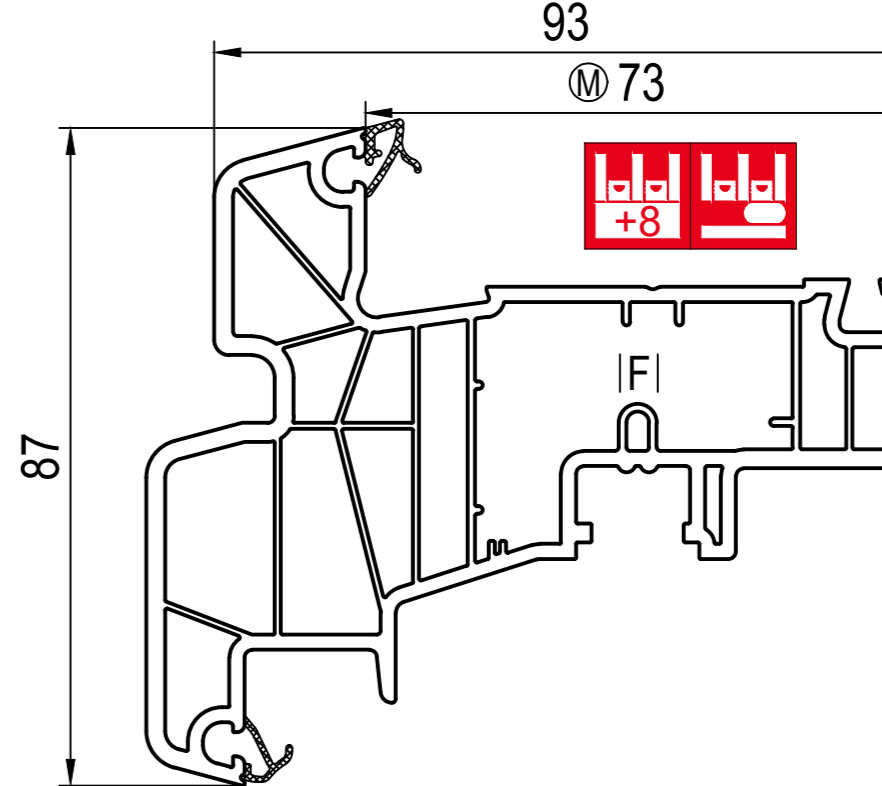
■ **170x41 (CL)**
AI 670301
DI 677241 ~Ø 65
DI 677101, 679141 ~170x4x ...
OI 670950
DI 650047 ~universal
FI 259043, 259044
PI 289341



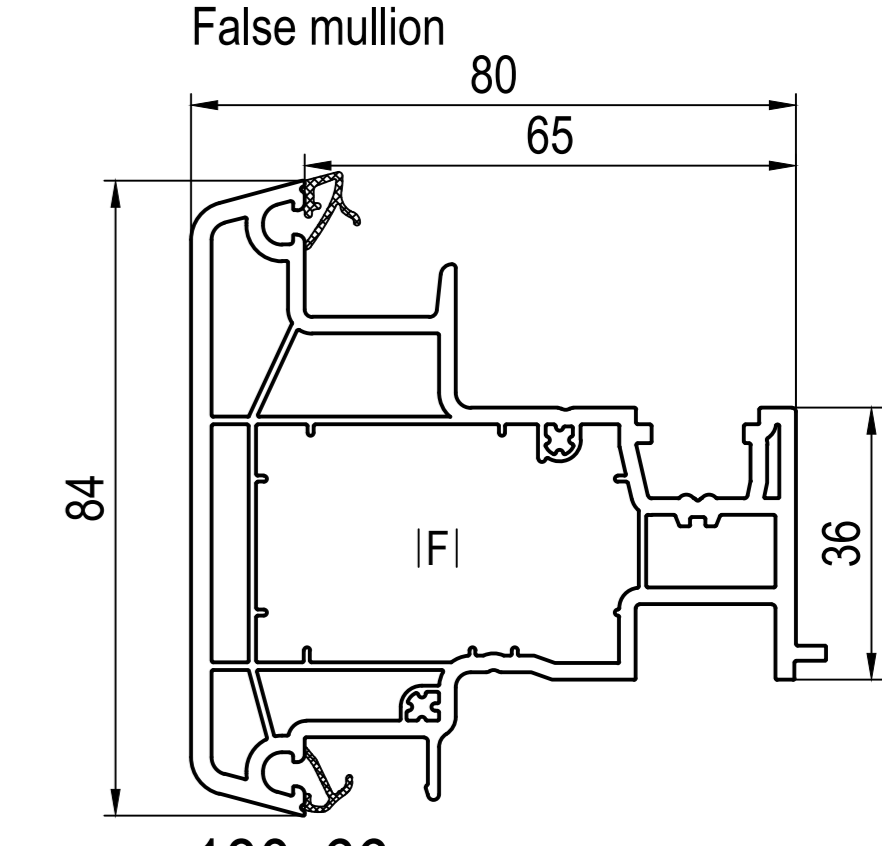
■ **180x46 (CL)**
AI 685251, 680250, 655251, 650252, 620250, 650250
DI 687246 ~Ø 65
DI 680046 ~universal
FI 229037
JI 642261, 642262, 642263, 646265, 646266
PI 289346



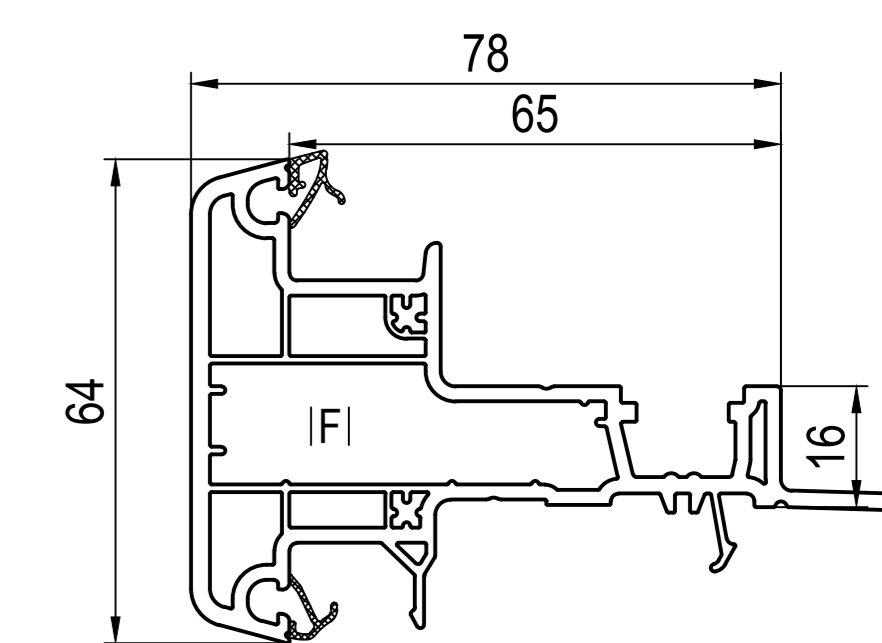
■ **080x89 (CL) ->080x20, 180x20**
AI 685251, 680250, 655251, 650252, 620250, 650250
CI 680029
FI 289089
JI 642261, 642262, 642263, 646265, 646266
PI 289489



■ **180x69 (CL) ->180x26**
AI 685251, 680250, 655251, 650252, 620250, 650250
CI 680029
FI 259020, 259021, 259022, 259026
JI 642261, 642262, 642263, 646265, 646266
PI 289369



■ **180x66 (CL)**
CI 680366 + 680466
FI 229029, 229030, 289066
PI 249341
CI 680566 + 680466



■ **180x64 (CL)**
CI 680364 + 680464
FI 229063
PI 259365
CI 680564 + 680464

MD Centre Gasket System

⊗ Bonding of pane Option

□ not laminated
■ laminated

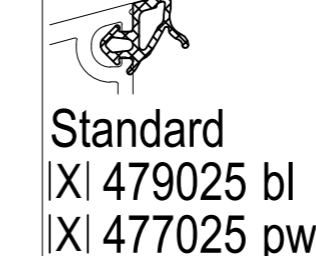
AI Spacer
CI End caps
DI Connector
DI Connector without knobs
EI Corner connector
FI Reinforcements
HI Installation / Mounting anchor
II Lifter
JI Bonding of pane
LI Basic ventilation system
OI Auxiliary parts
PI **aluskin** Aluminium shells
QI Aluminium step protection
UI Aluminium threshold
VI Connection for threshold
XI Gaskets
ZI Special accessories

-> for

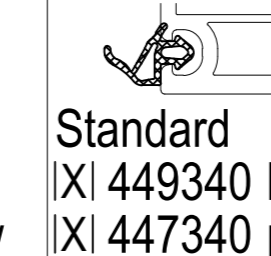
(CL) Classic-line

bl black
pw papyrus-white
wh white

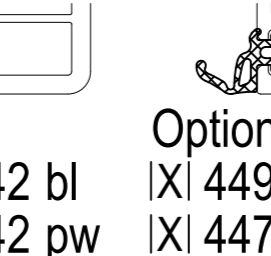
Repair gaskets



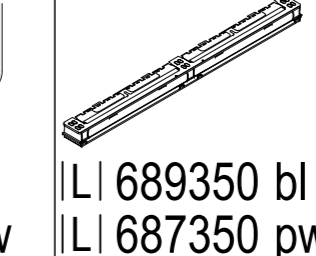
+ MD



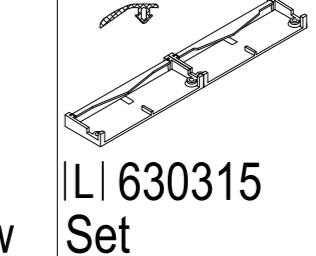
+ MD



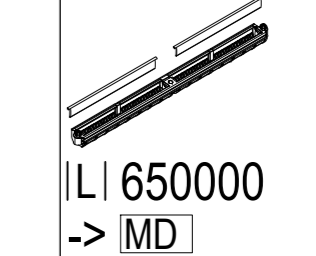
Basic Air max

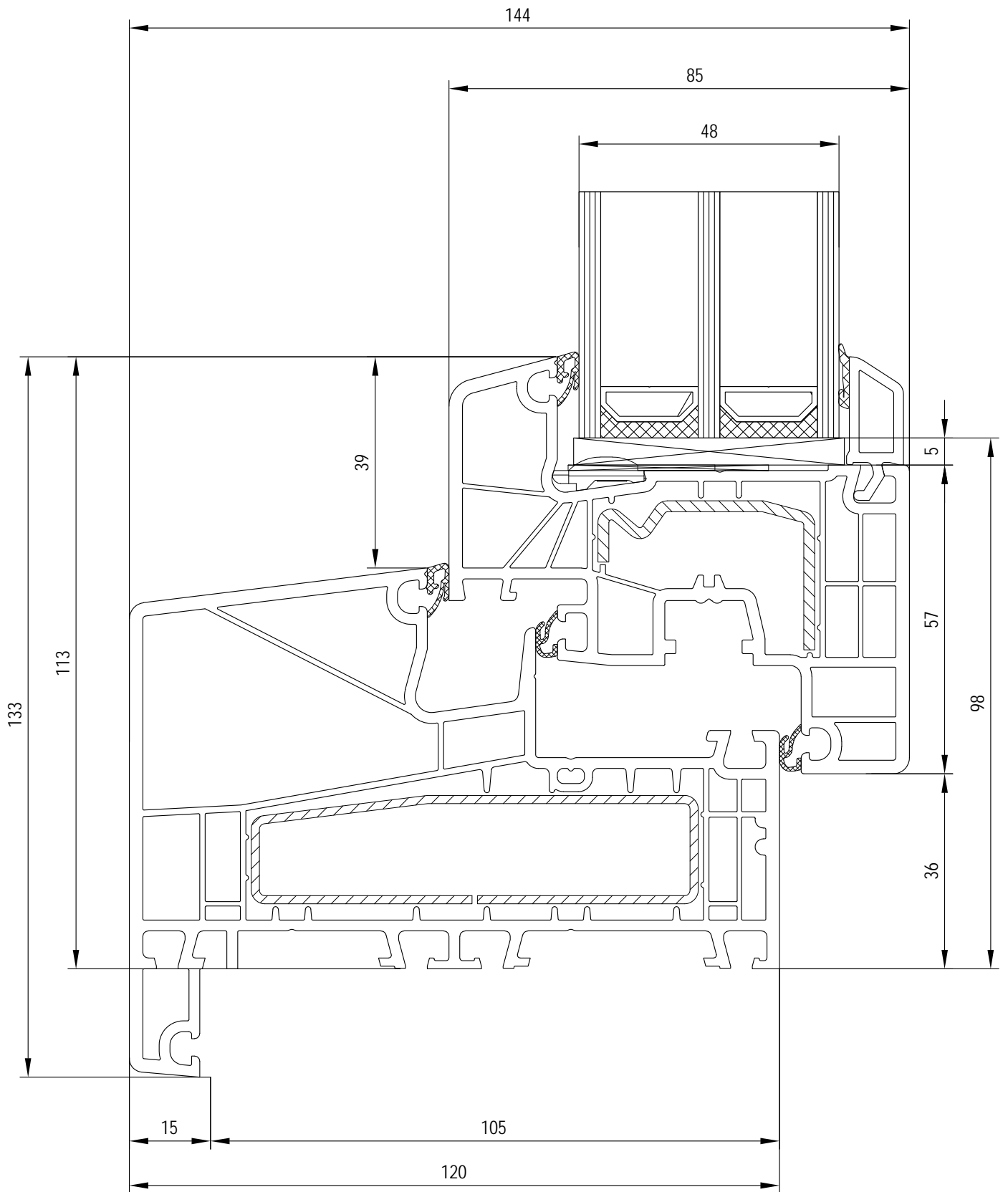


REGEL-air®



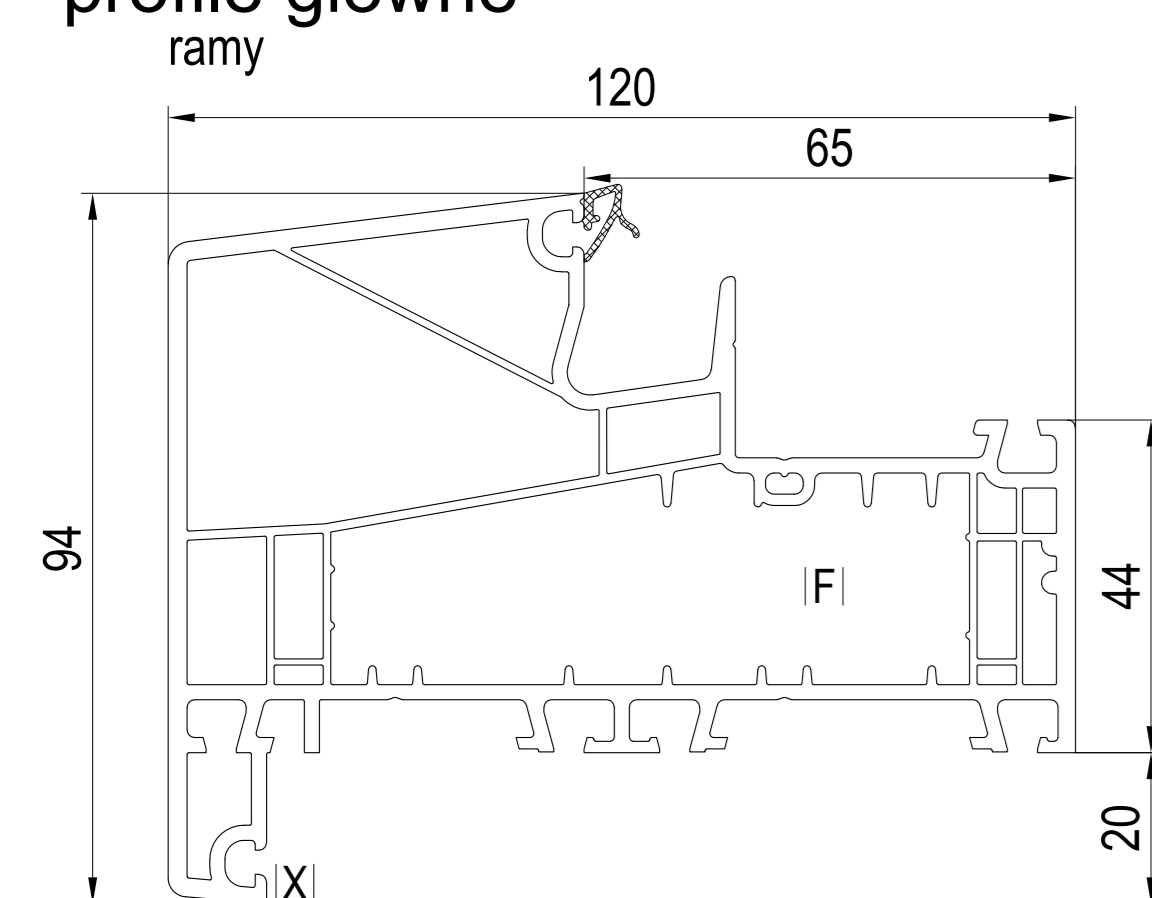
Basic Air plus®



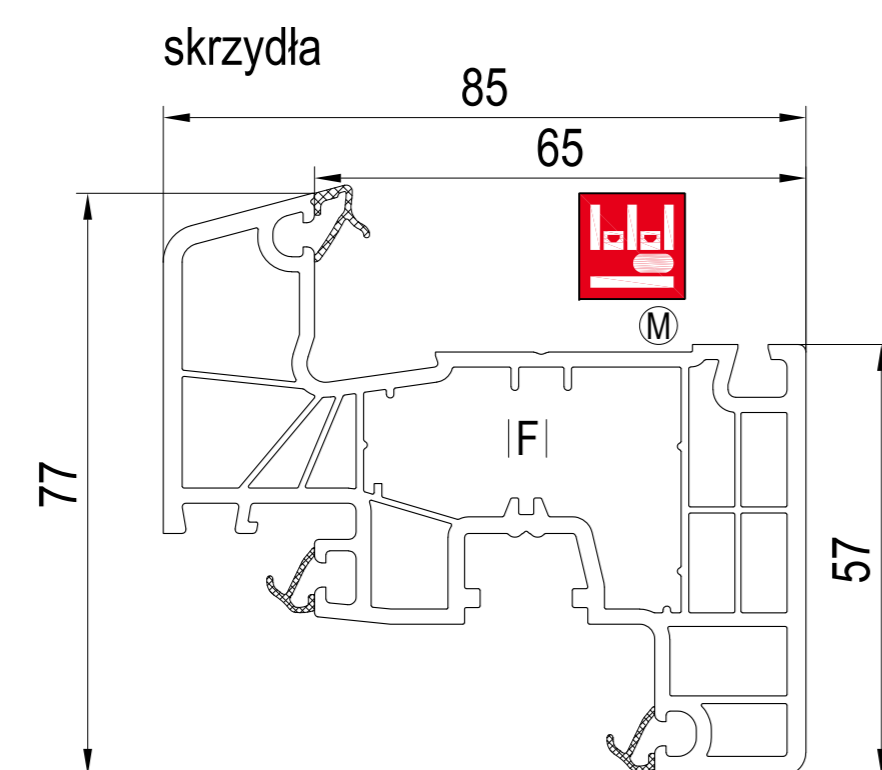


frame profile 120mm: 180x54
 sash profile 85mm: 180x20
 glazing bead: 120632

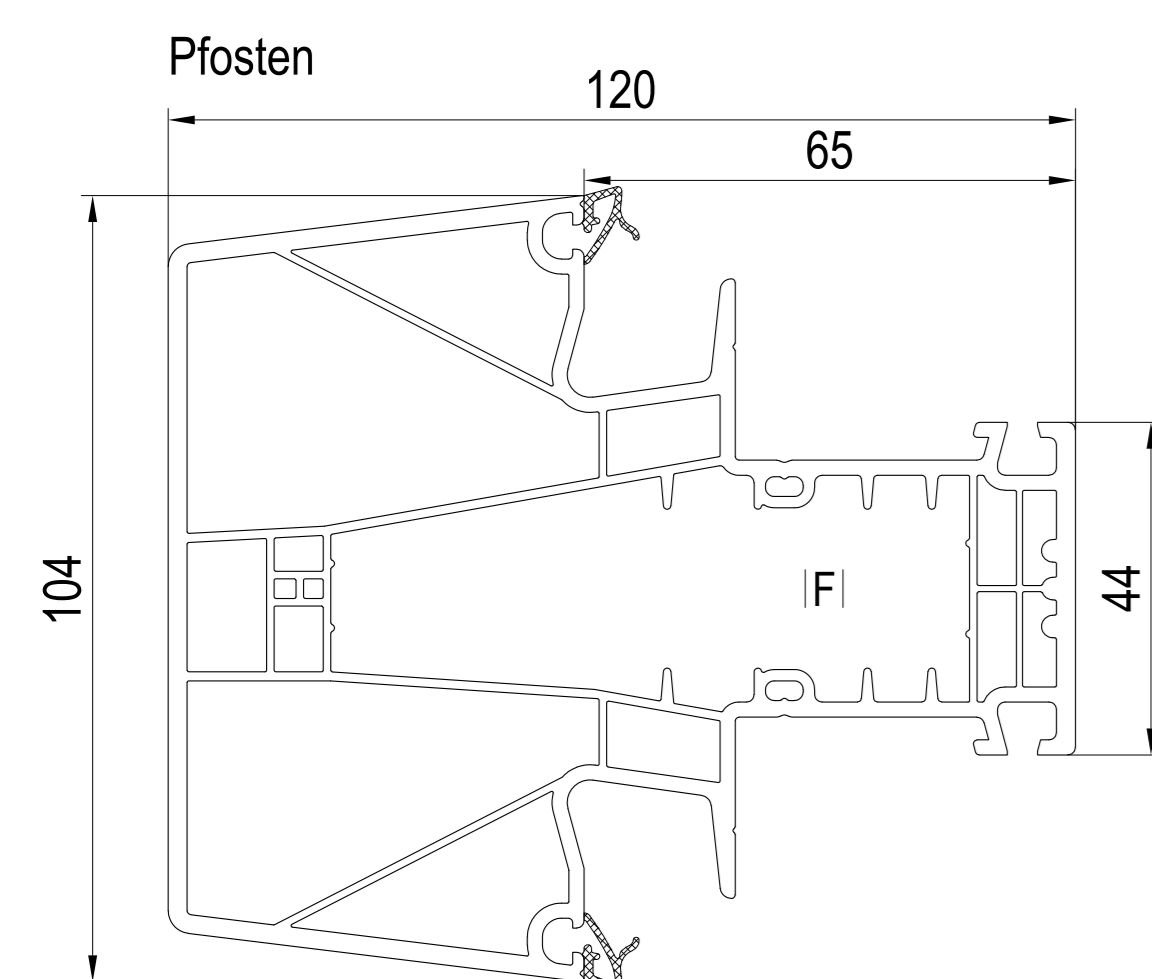
profile główne



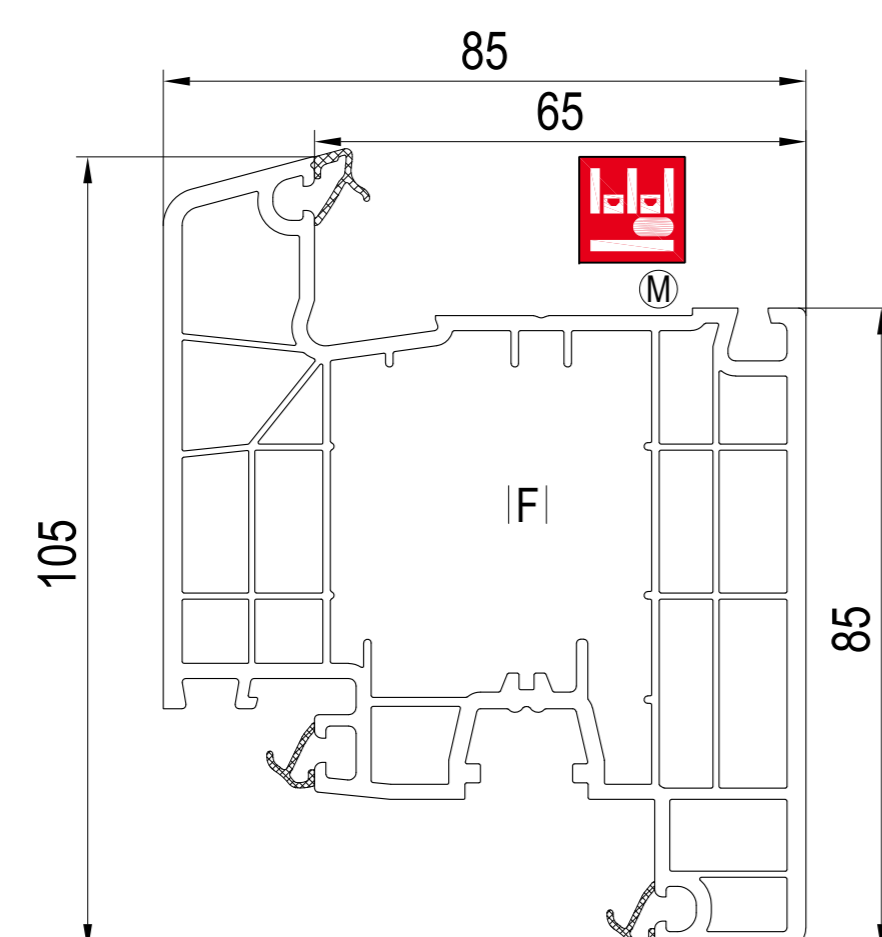
- 180x54 (CL)(NL)
- 188x54 (CL)(NL)
- A 680016, 680321, 650321
- F 279053, 279054, 279055
- U 249058
- X 447340, 449340, 447042, 449042



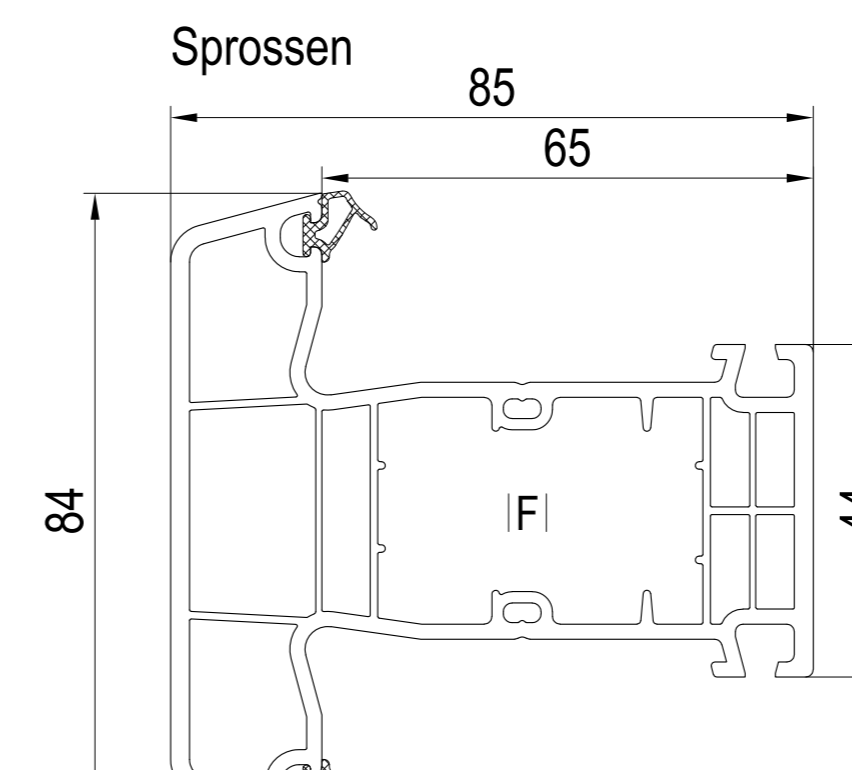
- 180x20 (CL)
- 188x20 (CL)
- A 650250, 650252, 655251, 680250, 685251 oder M J
- F 259020, 259021, 259026, 289021
- M J 642261, 642262, 642263, 646265, 646266



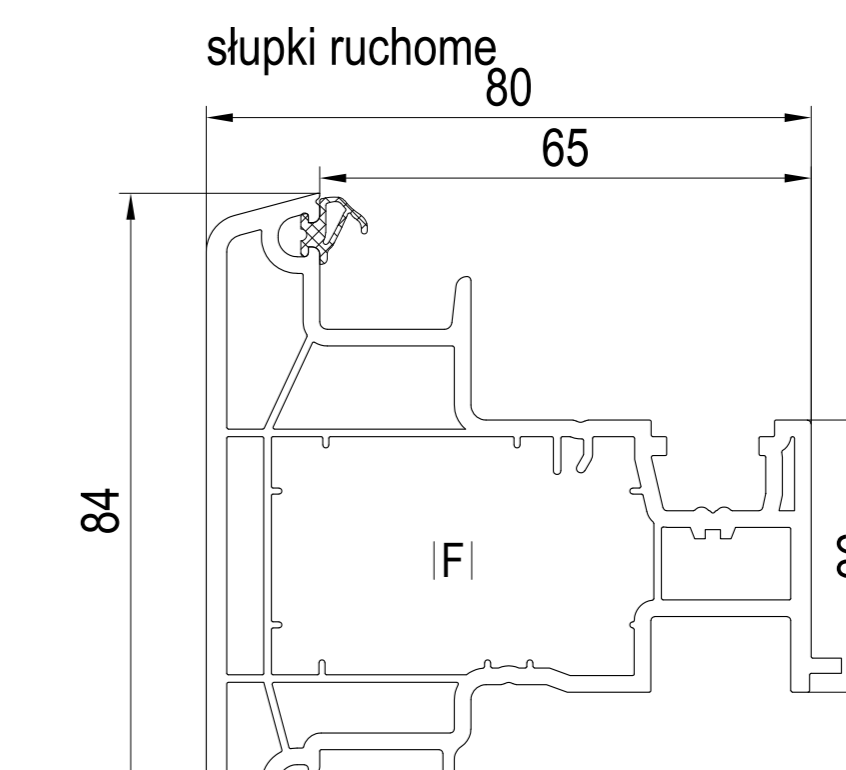
- 180x57 (CL)(NL)
- 188x57 (CL)(NL)
- A 680016, 680321, 650321
- D 687131 D 687102 ~180x0x ...
- D 640046 ~ universal
- X 659032, 659033 cza
- X 650032, 650033 we
- F 279053, 279054, 279055
- U 249058
- X 480057, 489057



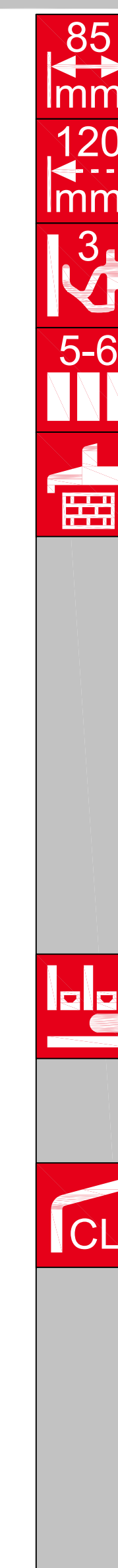
- 180x30 (CL)
- 188x30 (CL)
- A 650250, 650252, 655251, 680250, 685251 oder M J
- F 229114, 229115, 259031
- M J 642261, 642262, 642263, 646265, 646266



- 170x41 (CL)
- 178x41 (CL)
- A 670301
- M D 677241 ~ M ...
- D 677101, 679141 ~170x4x ...
- D 620046, 640046 ~universal
- F 259043, 259044



- 180x66 (CL)
- 188x66 (CL)
- C 680066
- F 229029, 229030, 289066
- X 447340, 449340, 447042, 449042



profil

- xx0xxx ~ RAL 9016 = biały
- xx8xxx ~ RAL 9001 = kremowy
- xxx3xx = uszczelka: czarna
- xxx4xx = uszczelka: papirusowa

listwy przyszybowe
profile dodatkowe
dodatki
= kremowy na specjalne zamówienie

- M wklejana szyba opcja
- nie występuje w kolorze (brak okleiny)
- występuje w kolorze (okleina)

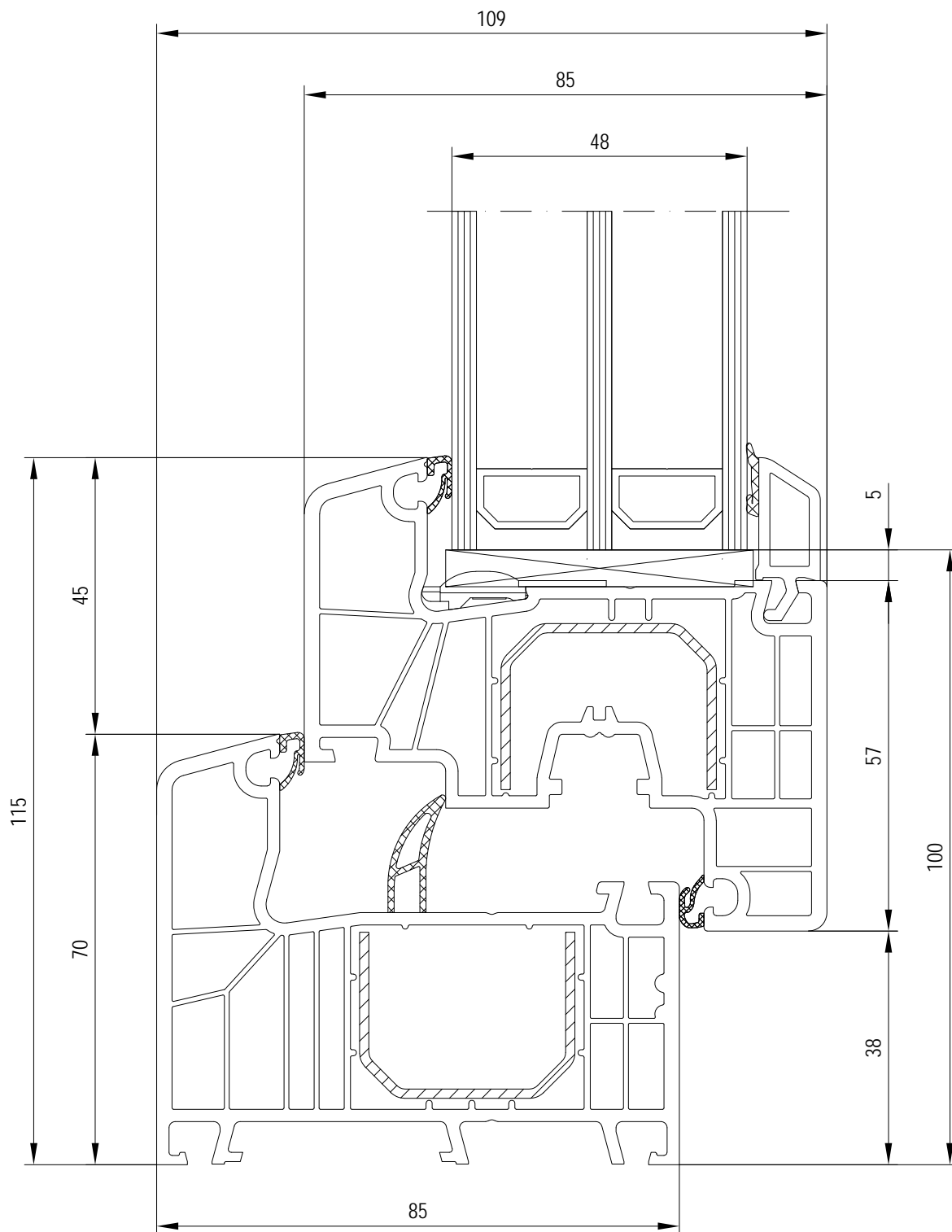
- A mostek szklenia
- C zaślepka
- D łącznik
- D łącznik bez kolnierzy
- F wzmocnienie
- J wklejana szyba
- U próg aluminiowy
- X uszczelka

-> do

(CL) Classic-line

(NL) IDEAL 8000 NL

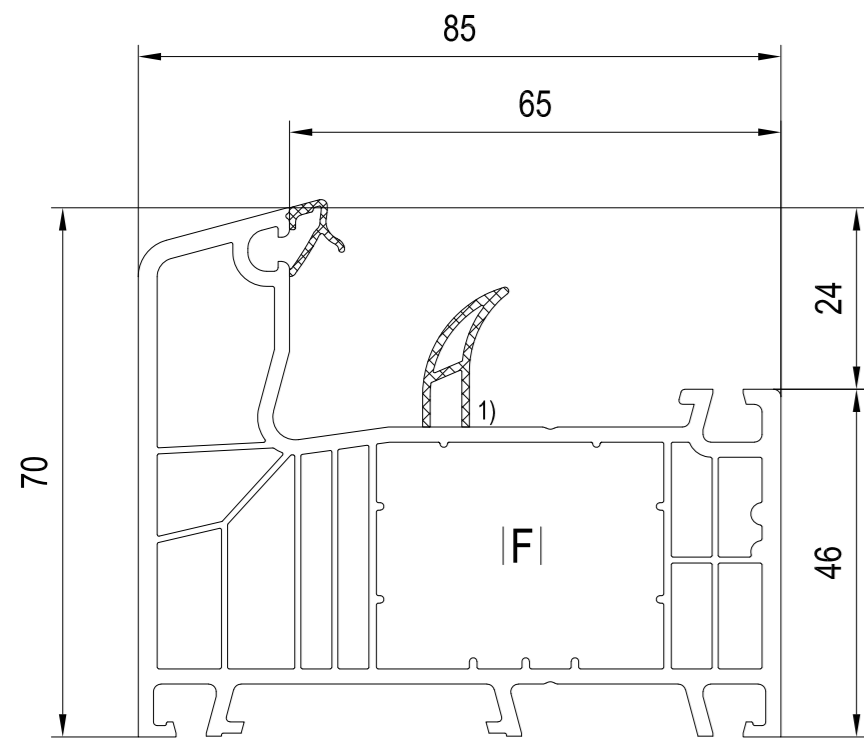
cza czarny
pap papirusowy



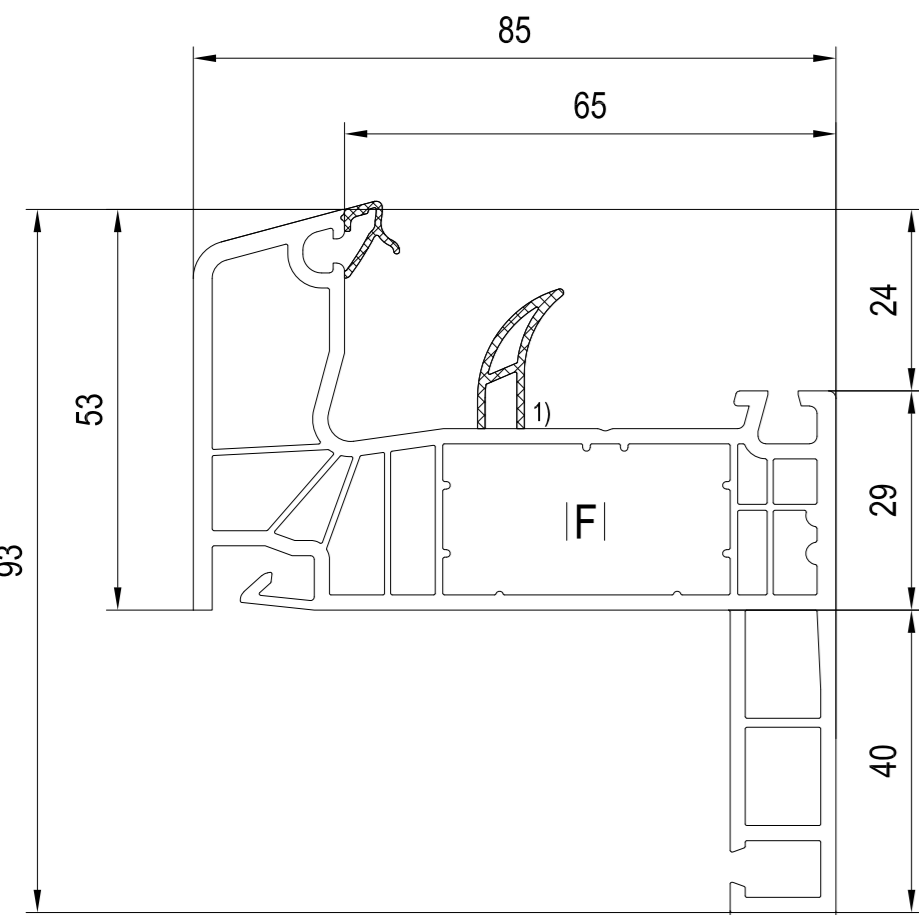
frame profile 85mm: 010x20
 sash profile 85mm: 110x21
 glazing bead: 120632

profile główne

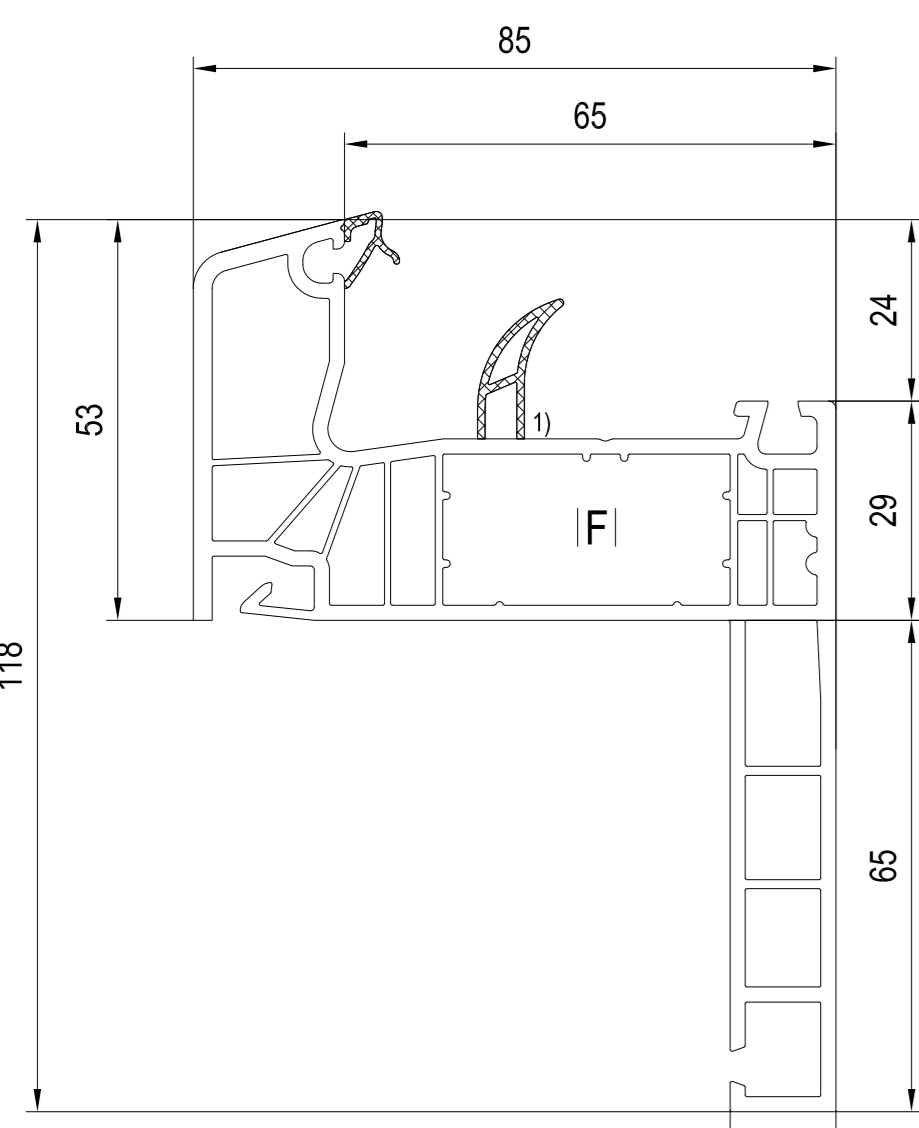
ramy



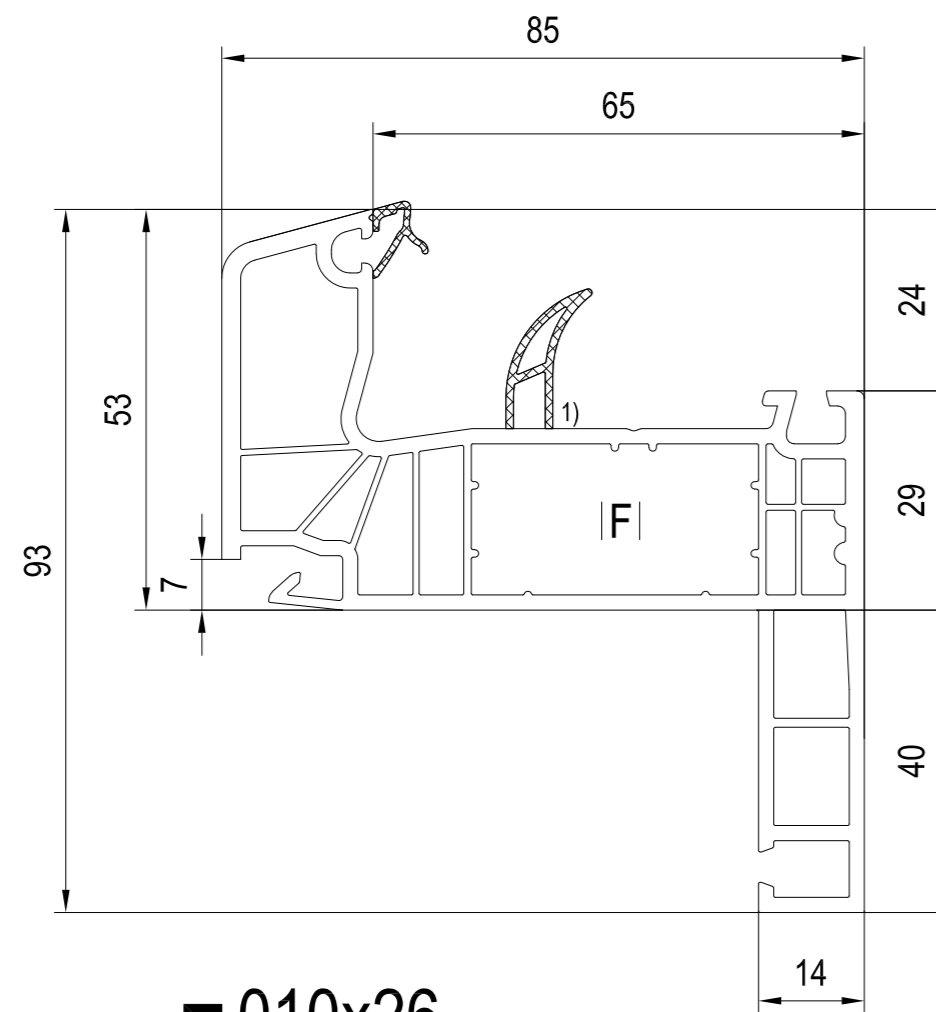
■ 010x20
IA 670301
FI 229029, 229030, 229023, 229025,
229024, 229026, 249026,



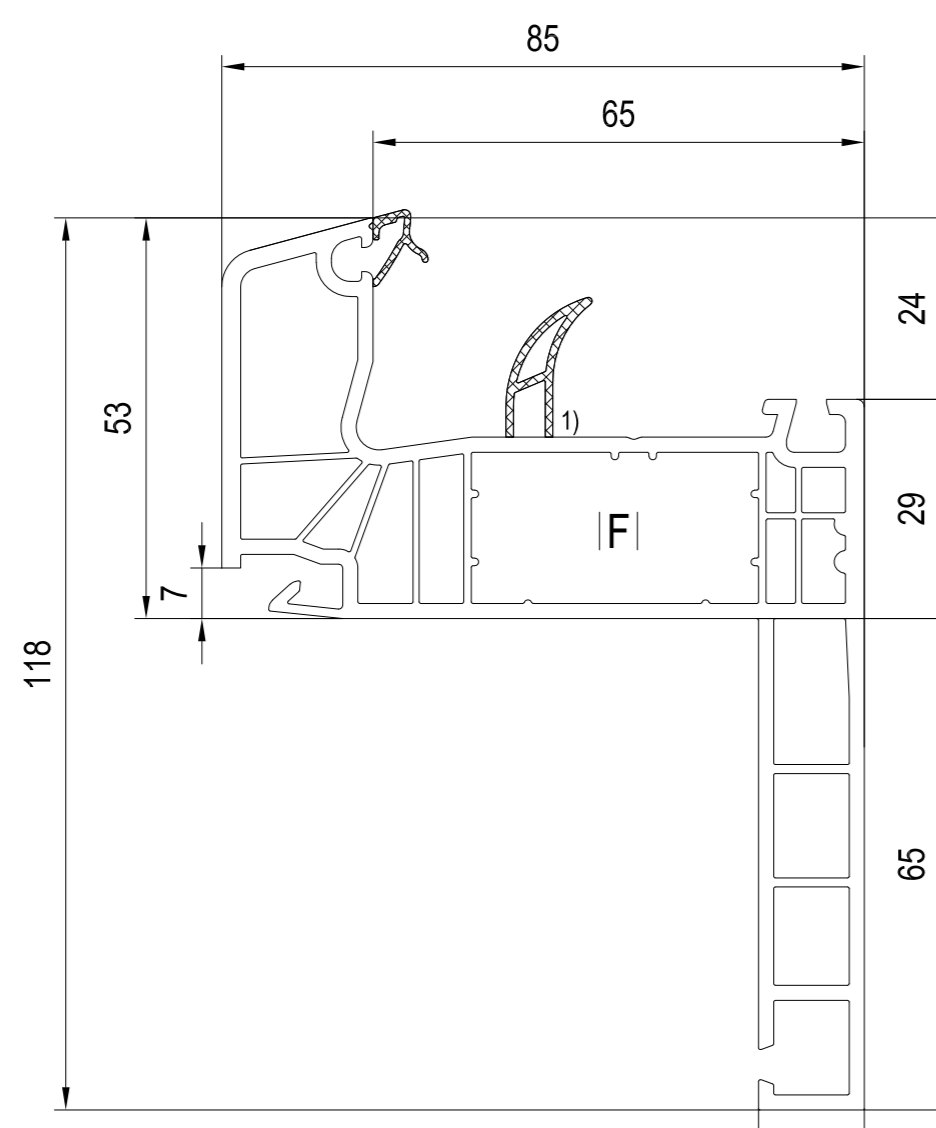
■ 010x25
IA 670301
FI 229037



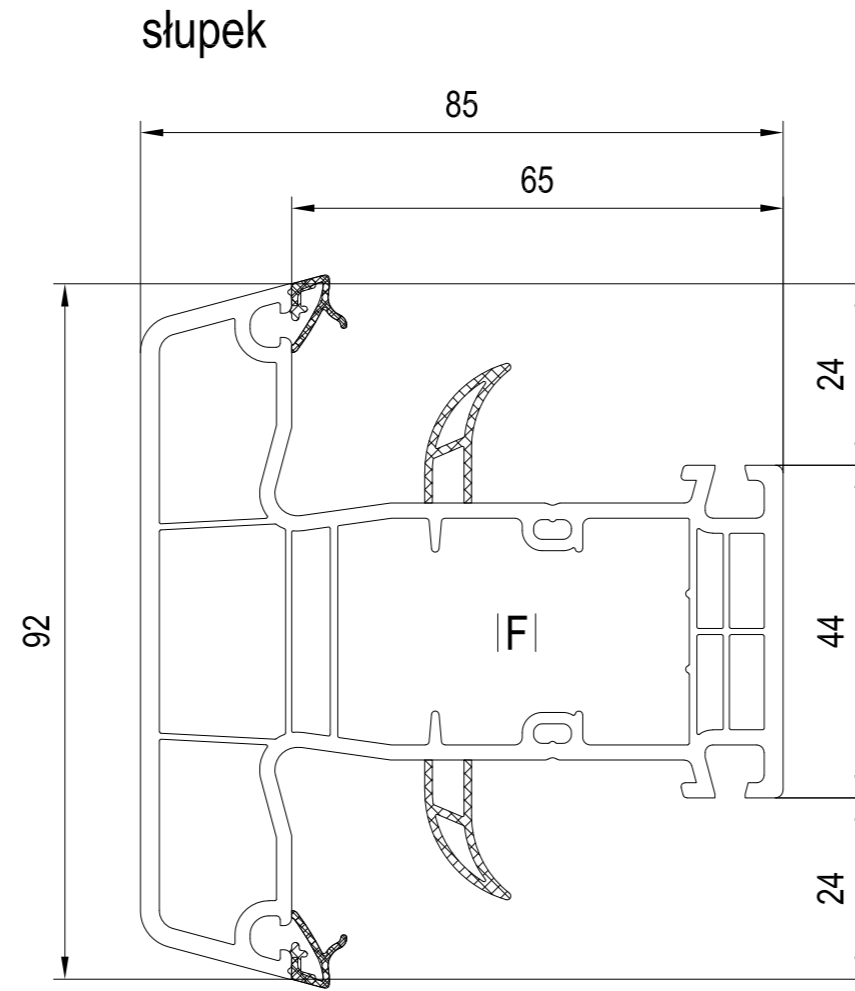
■ 010x27
IA 670301
FI 229037



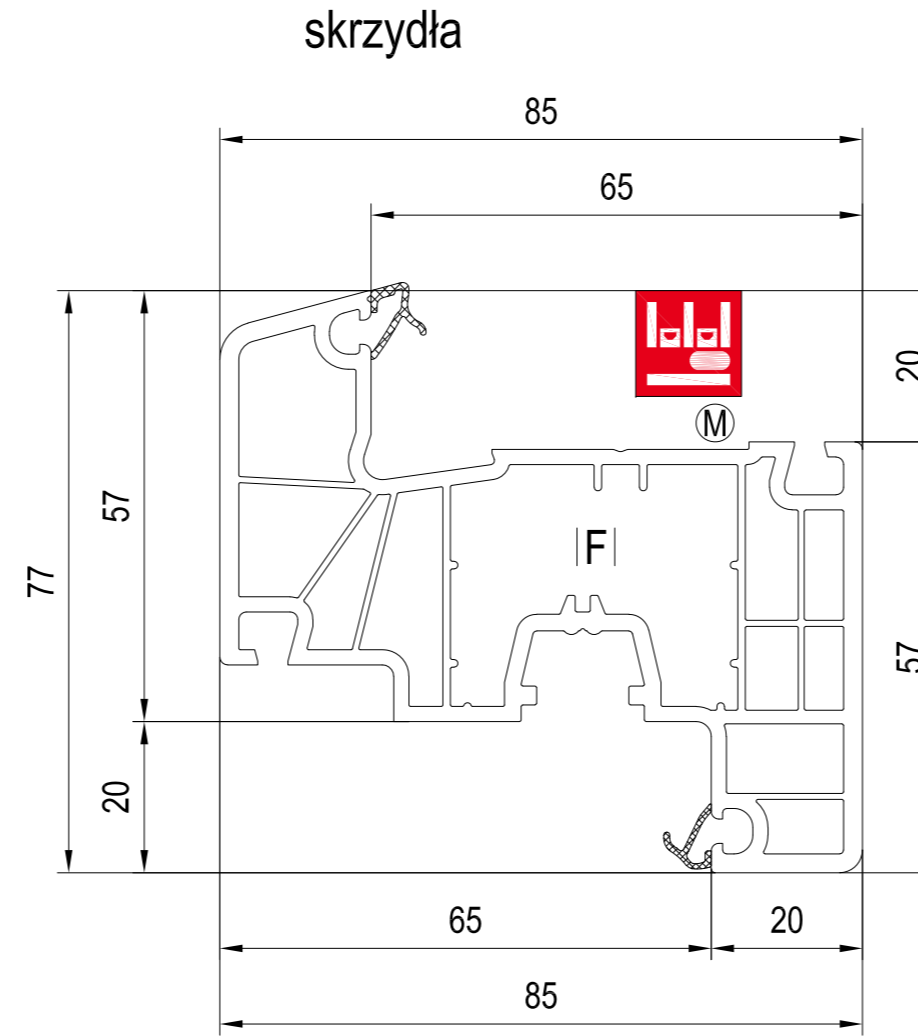
■ 010x26
IA 670301
FI 229037



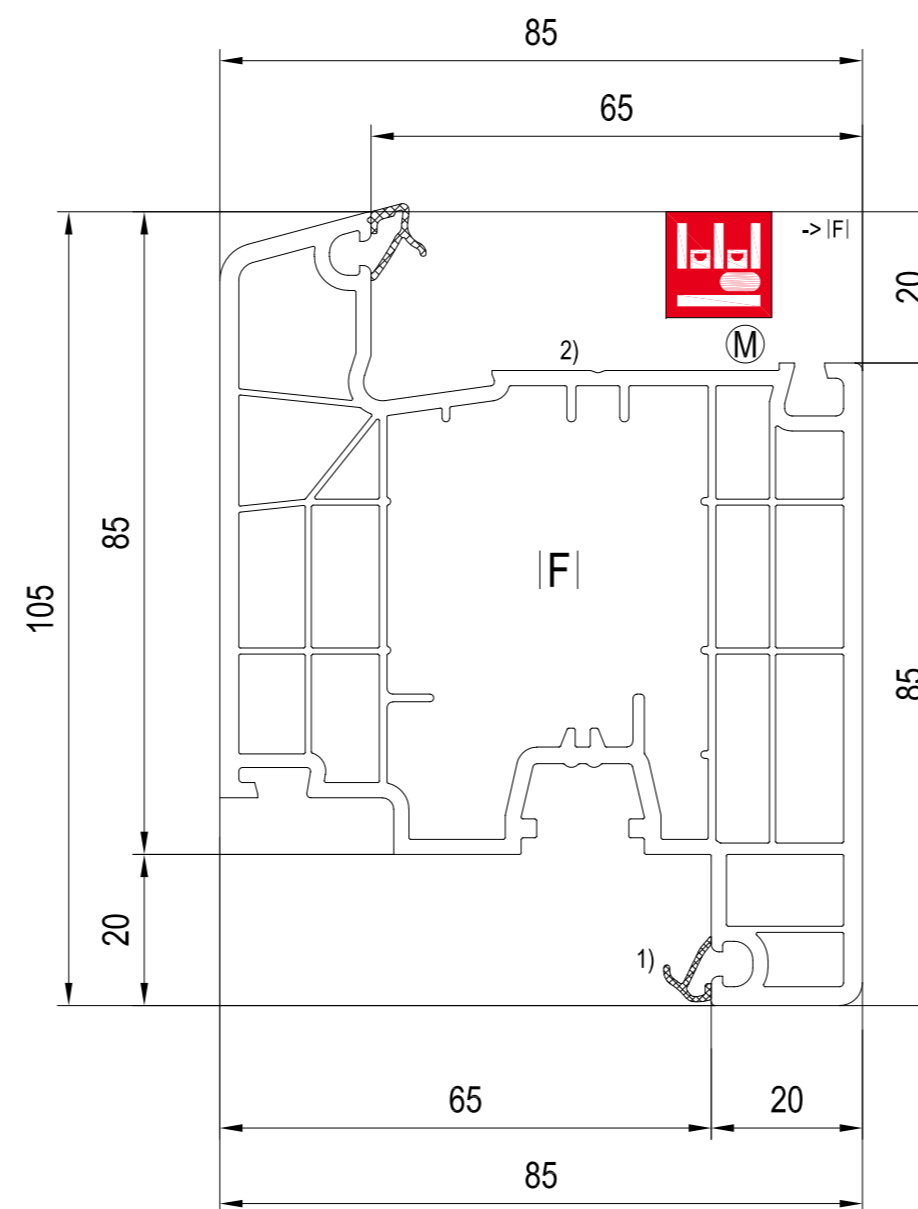
■ 010x28
IA 670301
FI 229037



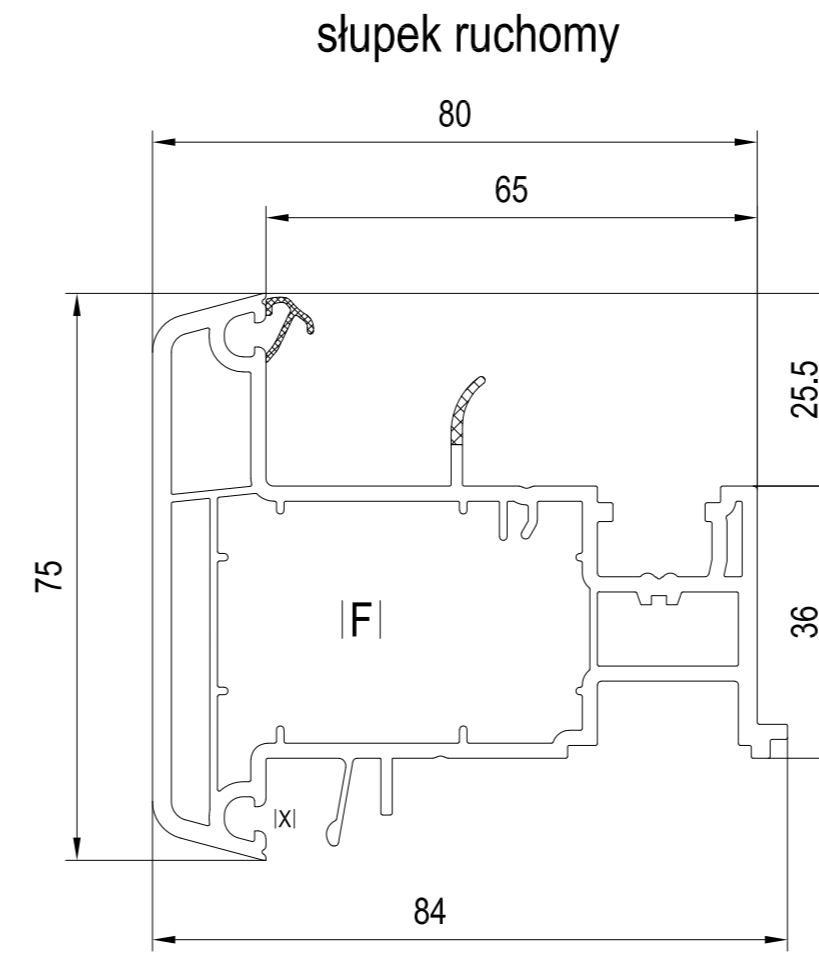
■ 010x23
IA 670301
FI 229102, 229103
D 617034
XI 612033, 610033 ~ 617034



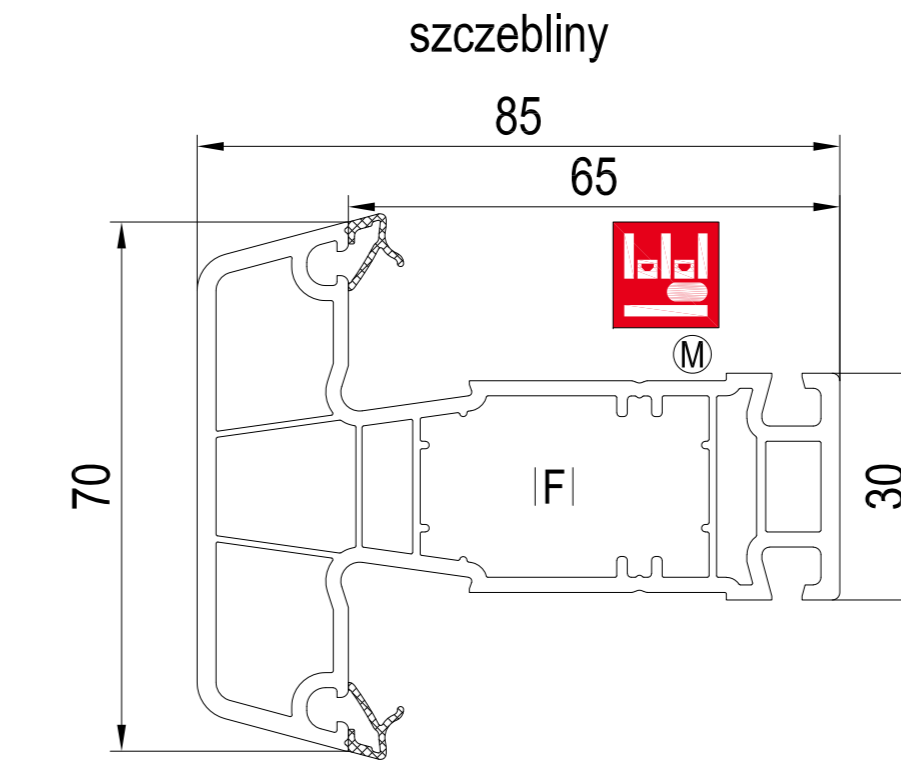
■ 110x21
M/A 650250, 650252, 655251, 680250, 685251
FI 229023, 229025, 229024, 229026, 249026
M/J 642262, 642261, 642263, 640033, 640034,
640035, 646265, 646266



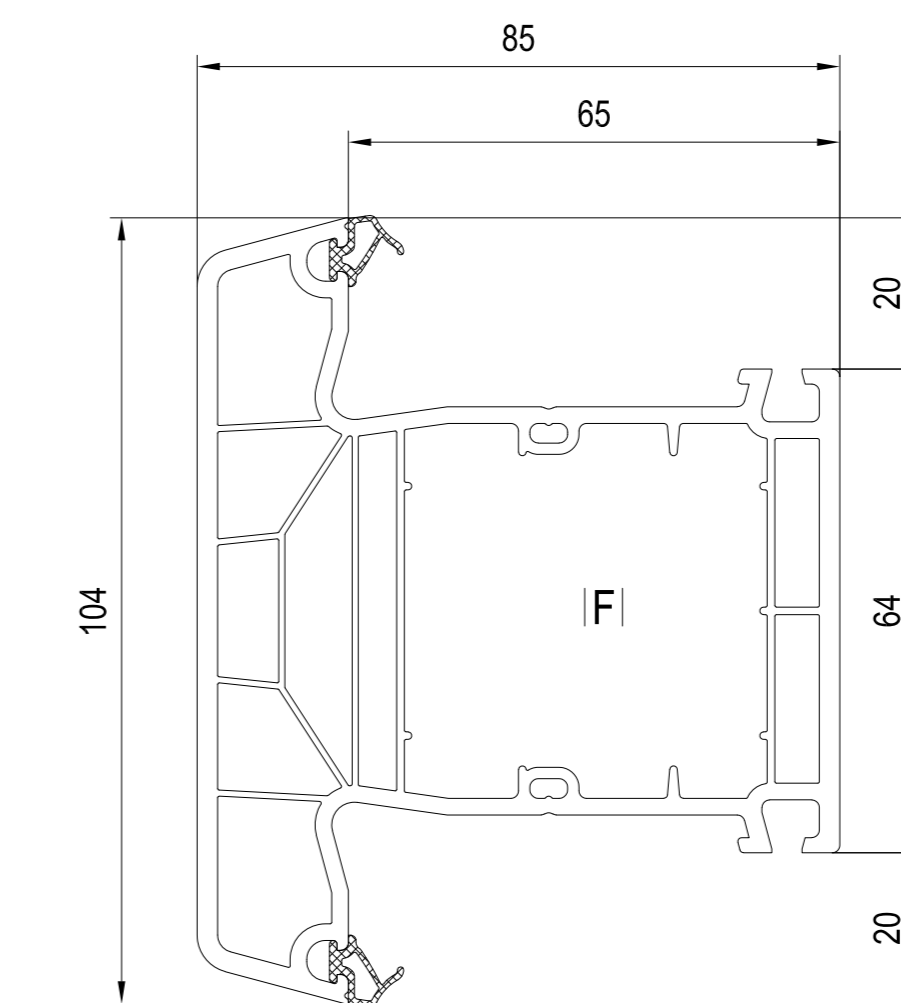
■ 110x30
M/A 650250, 650252, 655251, 680250, 685251
FI 259031, 229114, 229115
M/J 642262, 642261, 642263, 640033, 640034,
640035, 646265, 646266



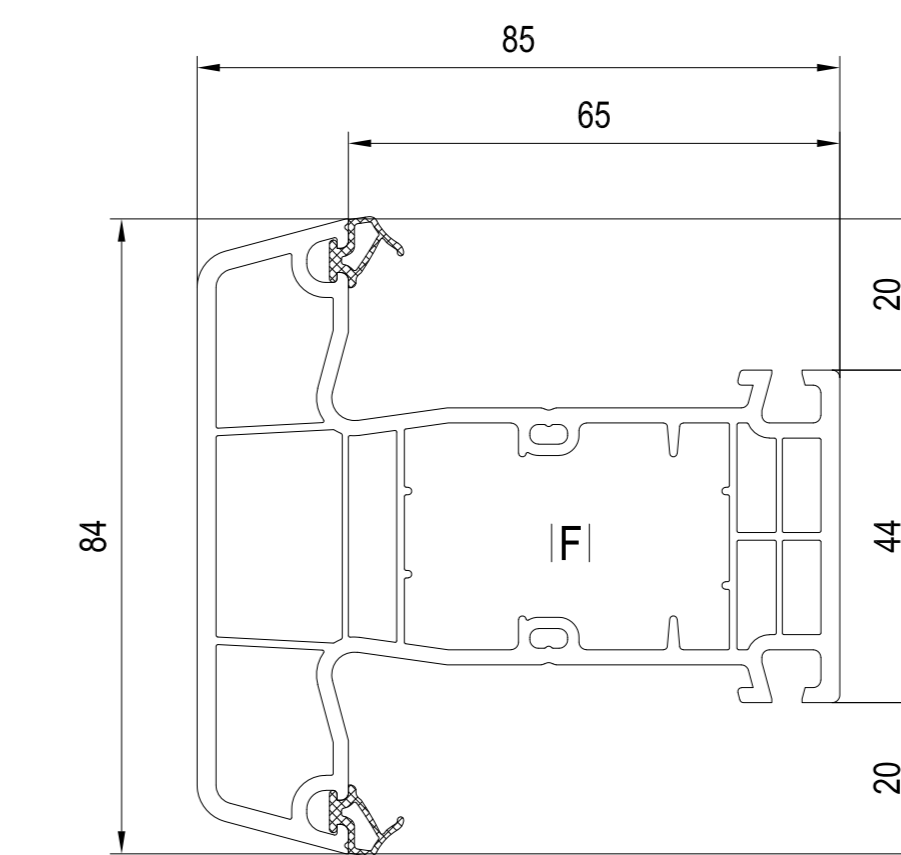
■ 110x65
CI 610065
FI 229029, 229030, 289066
XI 447340, 449340



■ 180x46 (CL)
M/A 650250, 650252, 655251,
680250, 685251 oder M/J
M/D 687246 ~ M ...
D 680046 ~ universal
FI 229037
M/J 642261, 642262, 642263, 646265,
646266, 640033, 640034, 640035



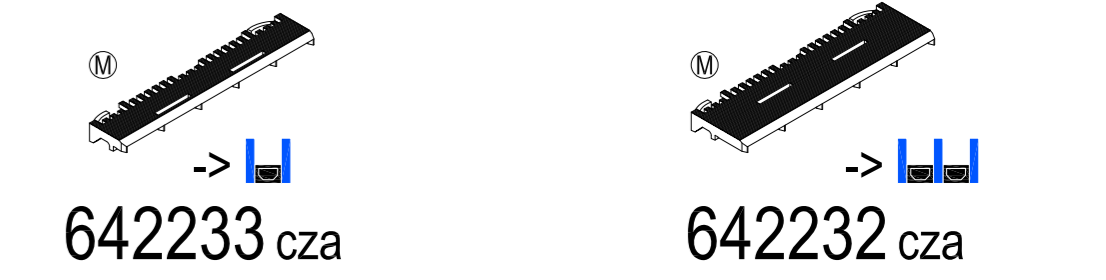
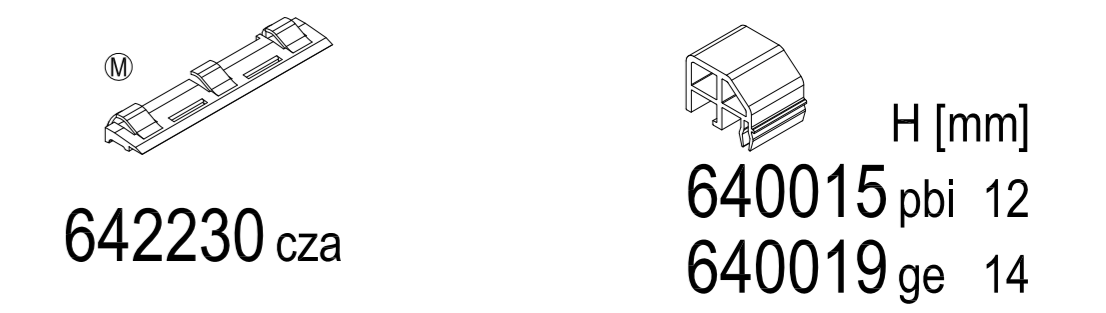
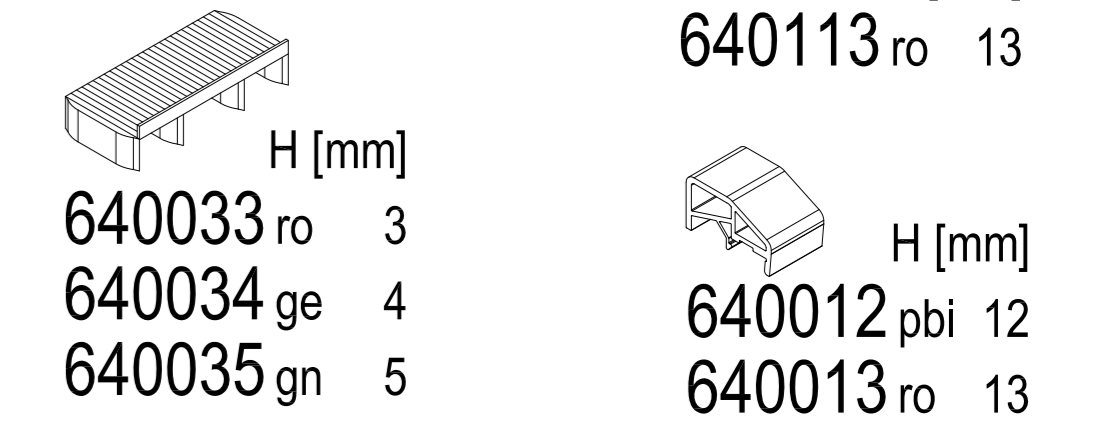
■ 170x44 (CL)
M/A 670301
M/D 677244 ~ M ...
D 640046 ~ universal
FI 249034, 249035



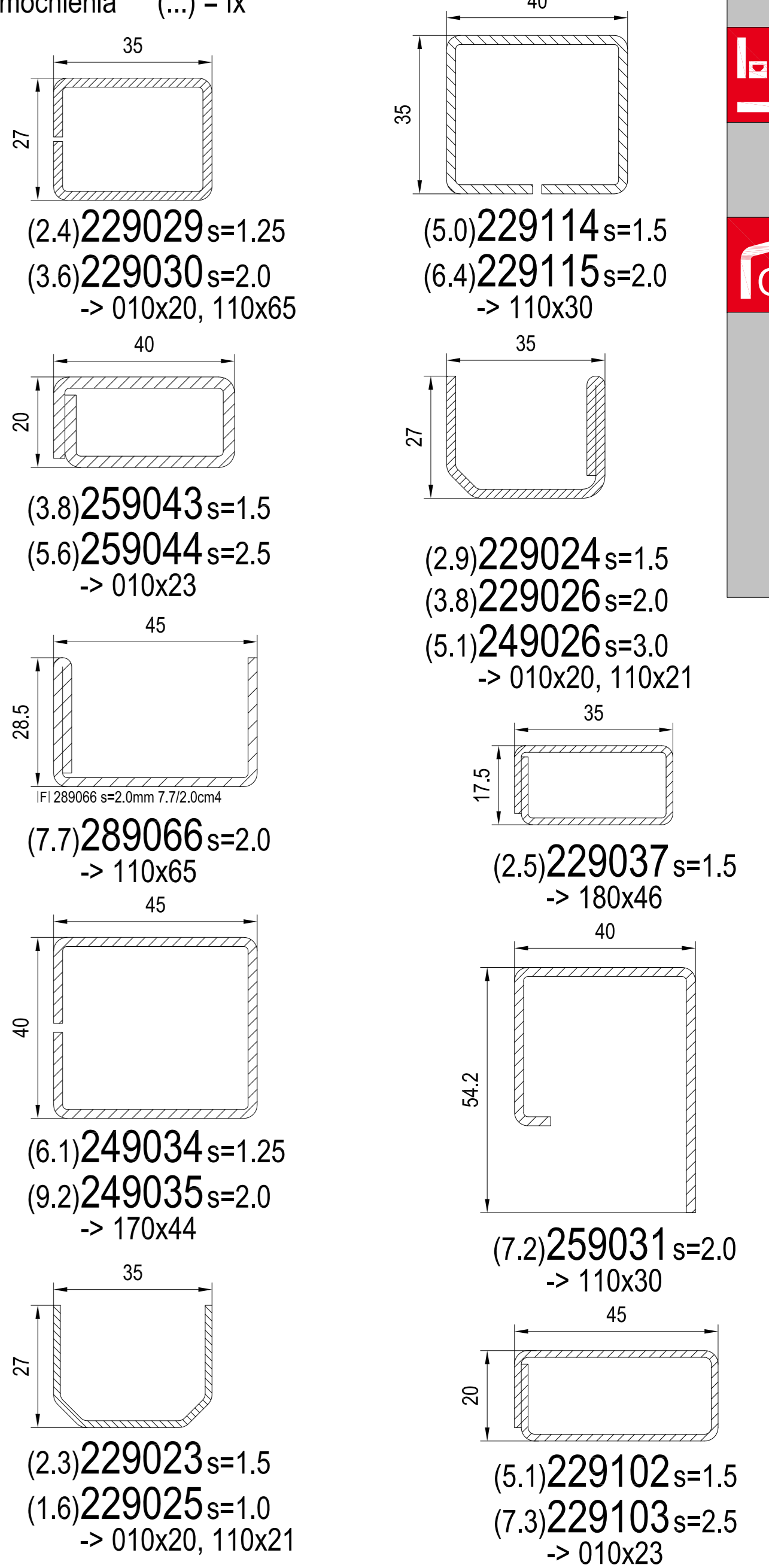
■ 170x41 (CL)
M/A 670301
M/D 677241 ~ M ...
D 620046, 640046 ~ universal
FI 259043, 259044

dodatki

J podkładki do wklejania szymb



FI wzmocnienia (...) = lx



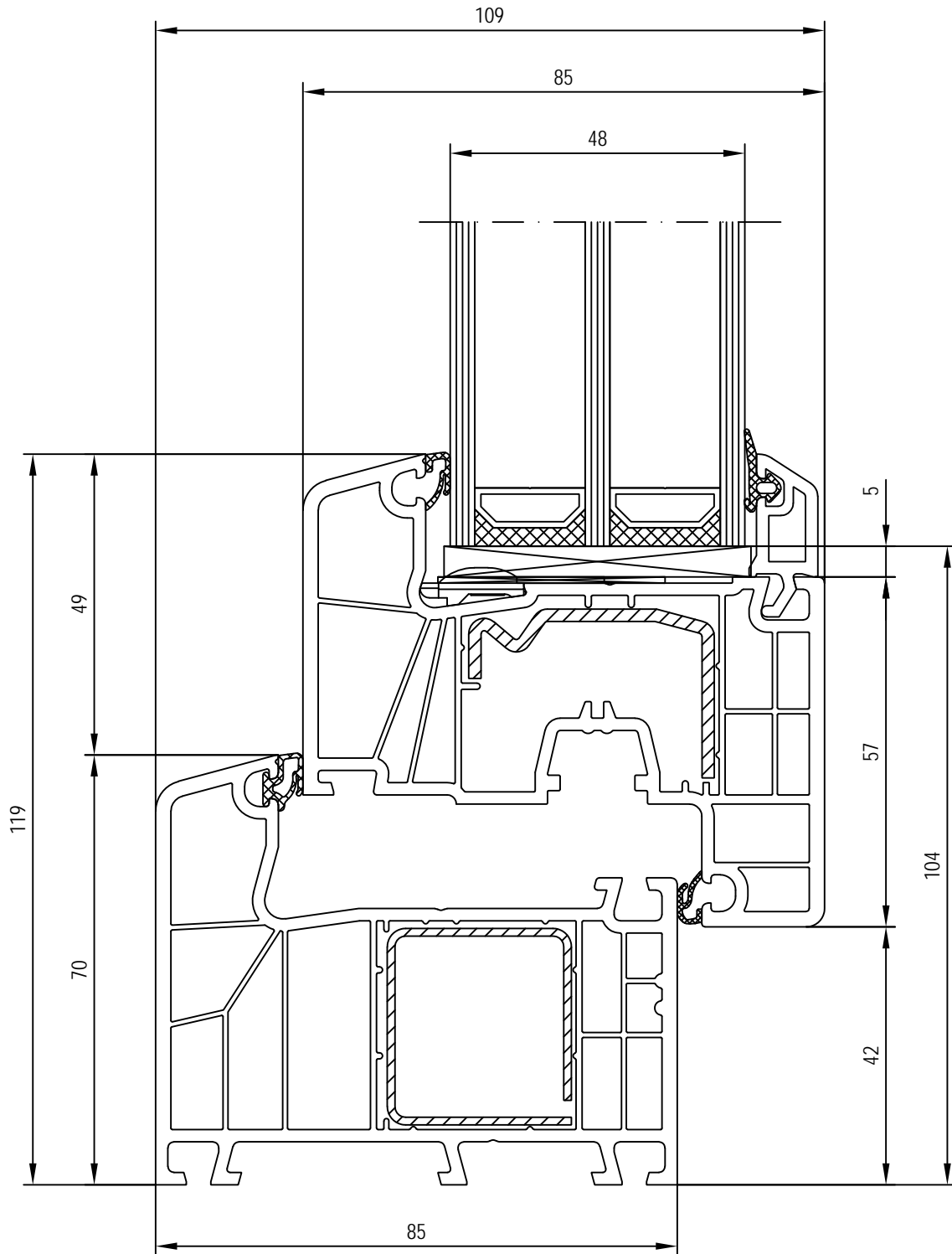
LISTWY PRZYSZYBOWE 65mm±M [4]	14 - 15mm	16 - 17mm	18 - 19mm	20 - 21mm	22 - 23mm	24 - 25mm	26 - 27mm	28 - 29mm	30 - 31mm	32 - 33mm	34 - 35mm	36 - 37mm	38 - 39mm	40 - 41mm	42 - 43mm	44 - 45mm	46 - 47mm	48 - 49mm	50 - 51mm	52mm	14-52
(CL) Classic-line																					
h = 20mm ¹⁾²⁾	140741 [6]	140841 [4]	140641 [2]	120740 [6]	120840 [4]	120640 [2]	120738 [6]	120838 [4]	120638 [2]	120736 [6]	120836 [4]	120636 [2]	120835 [4]	120635 [2]	120833 [4]	120633 [2]	120832 [4]	120632 [2]	120832 [4]	120632 [2]	±(QL)
kolor uszczelki	czarny [mm]	czarny [mm]	czarny [mm]	czarny [mm]	czarny [mm]	czarny [mm]	czarny [mm]	czarny [mm]	czarny [mm]	czarny [mm]	czarny [mm]	czarny [mm]	czarny [mm]	czarny [mm]	czarny [mm]	czarny [mm]	czarny [mm]	czarny [mm]	czarny [mm]	czarny [mm]	czarny [mm]
ściśnięta	140771 [6]	140871 [4]	140671 [2]	120770 [6]	120870 [4]	120670 [2]	120768 [6]	120868 [4]	120668 [2]	120766 [6]	120866 [4]	120666 [2]	120865 [4]	120665 [2]	120863 [4]	120663 [2]	120862 [4]	120662 [2]	120862 [4]	120662 [2]	±(QL)
papirusowa biel	140771 [6]	140871 [4]	140671 [2]	120770 [6]	120870 [4]	120670 [2]	120768 [6]	120868 [4]	120668 [2]	120766 [6]	120866 [4]	120666 [2]	120865 [4]	120665 [2]	120863 [4]	120663 [2]	120862 [4]	120662 [2]	120862 [4]	120662 [2]	±(QL)
(QL) Qube-line																					
h = 20mm ¹⁾²⁾	150736 [6]	150836 [4]	150636 [2]	150735 [6]	150835 [4]	150635 [2]	150734 [6]	150834 [4]	150634 [2]	150733 [6]	150833 [4]	150633 [2]	150732 [6]	150832 [4]	150632 [2]	150832 [4]	150632 [2]	150831 [4]	150631 [2]	150831 [4]	150631 [2]
kolor uszczelki	czarny [mm]	czarny [mm]	czarny [mm]	czarny [mm]	czarny [mm]	czarny [mm]	czarny [mm]	czarny [mm]	czarny [mm]	czarny [mm]	czarny [mm]	czarny [mm]	czarny [mm]	czarny [mm]	czarny [mm]	czarny [mm]	czarny [mm]	czarny [mm]	czarny [mm]	czarny [mm]	czarny [mm]
ściśnięta	150766 [6]	150866 [4]	150666 [2]	150765 [6]	150865 [4]	150665 [2]	150764 [6]	150864 [4]	150664 [2]	150763 [6]	150863 [4]	150663 [2]	150762 [6]	150862 [4]	150662 [2]	150862 [4]	150662 [2]	150861 [4]	150661 [2]	150861 [4]	150661 [2]
papirusowa biel	150766 [6]	150866 [4]	150666 [2]	150765 [6]	150865 [4]	150665 [2]	150764 [6]	150864 [4]	150664 [2]	150763 [6]	150863 [4]	150663 [2]	150762 [6]	150862 [4]	150662 [2]	150862 [4]	150662 [2]	150861 [4]	150661 [2]	150861 [4]	150661 [2]

D łączniki D łączniki bez kołnierzy

A podkładki bazowe do szklenia

C zaślepka do słupka ruchomego X uszczelki

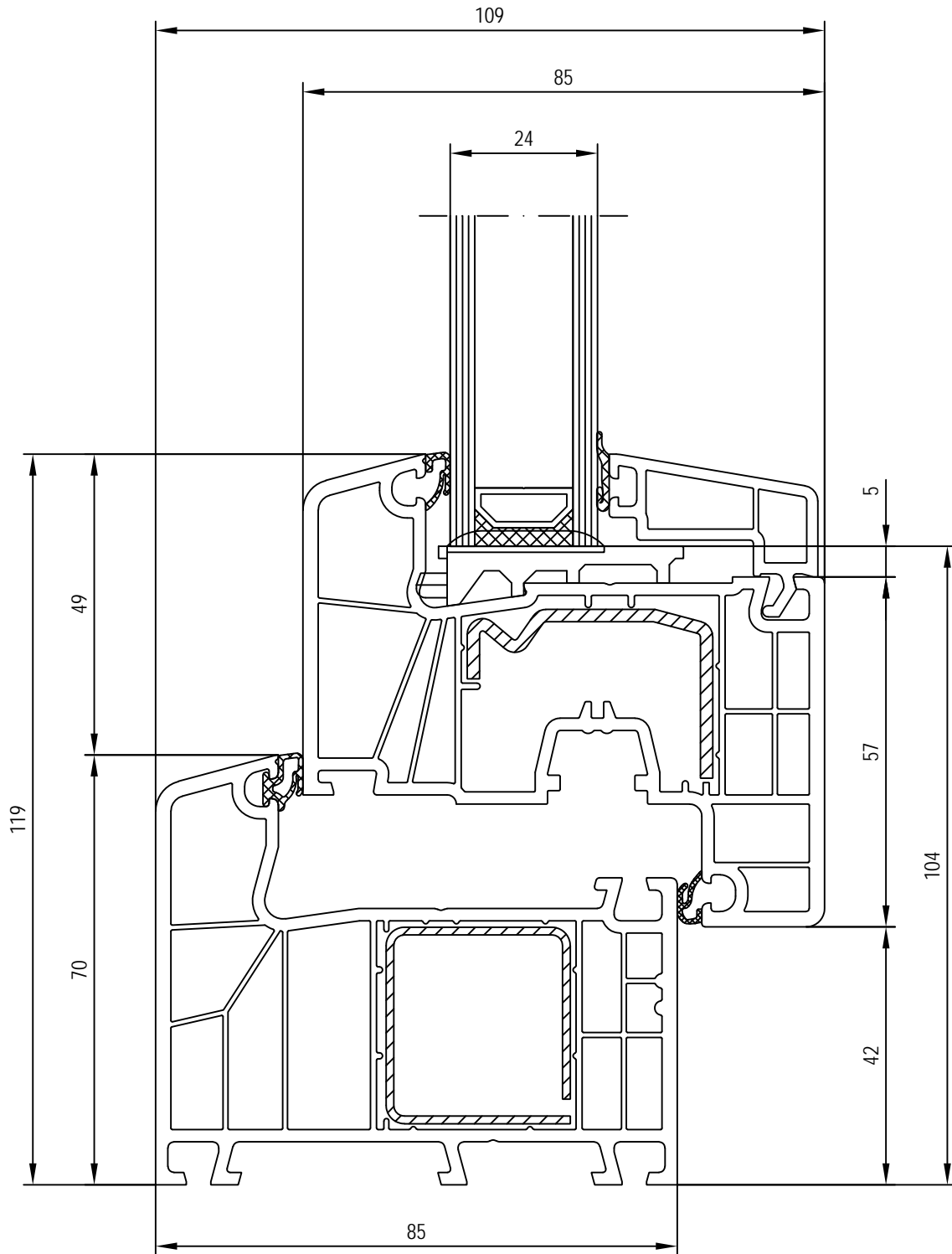
nie występuje w kolorze / okleinie
występuje w kolorze / okleinie
A podkładka bazowa do szklenia
C zaślepka do słupka ruchomego
D łącznik bez kołnierza
D łącznik
FI wzmocnienie
J podkładka do wklejania szymb
X uszczelka
cza czarny
pbi papirusowa biel



frame profile 85mm: 170x02
 sash profile 85mm: 170x20
 glazing bead: 120632



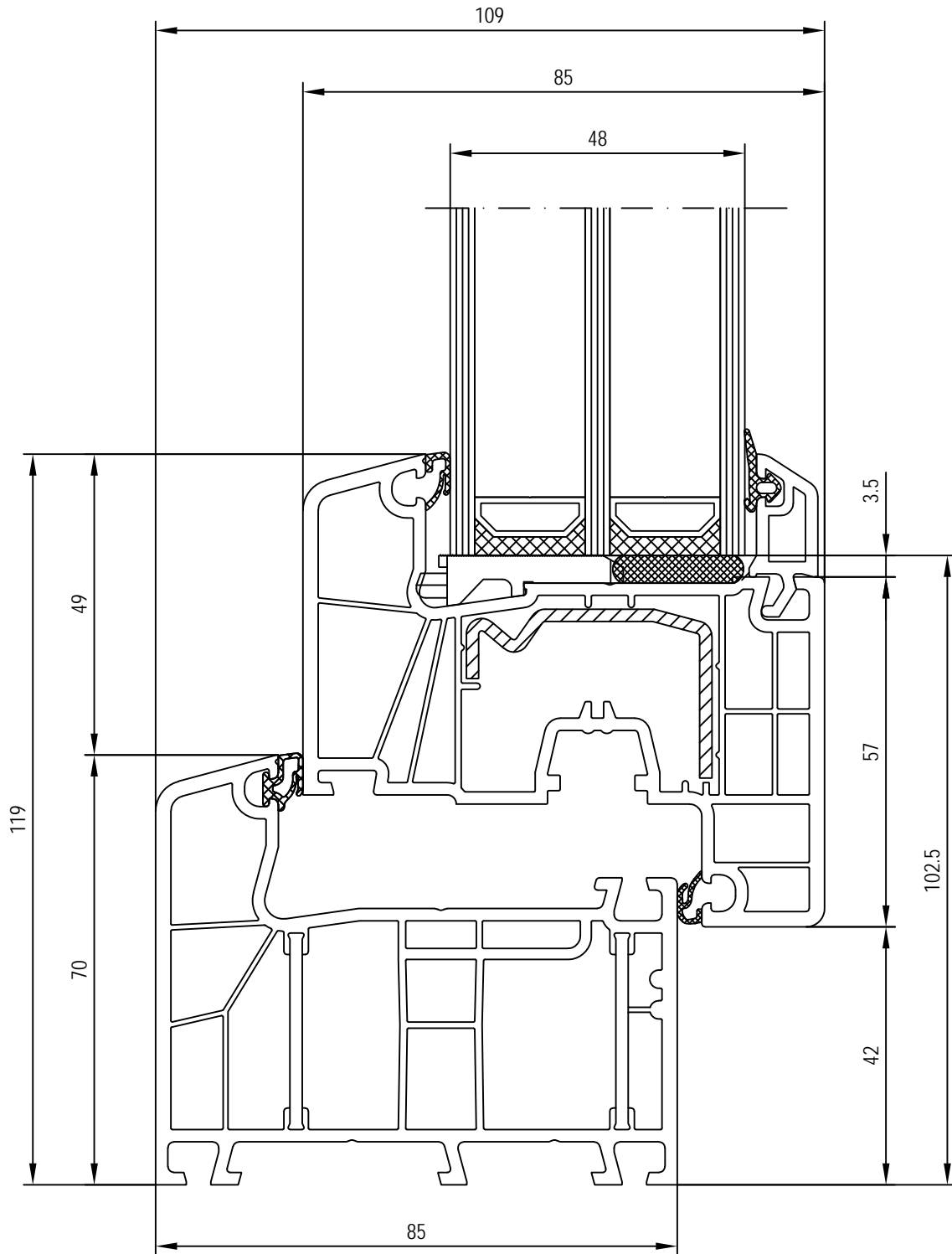
IDEAL 7000
 profile section



frame profile 85mm: 170x02
 sash profile 85mm: 170x20
 glazing bead: 120640



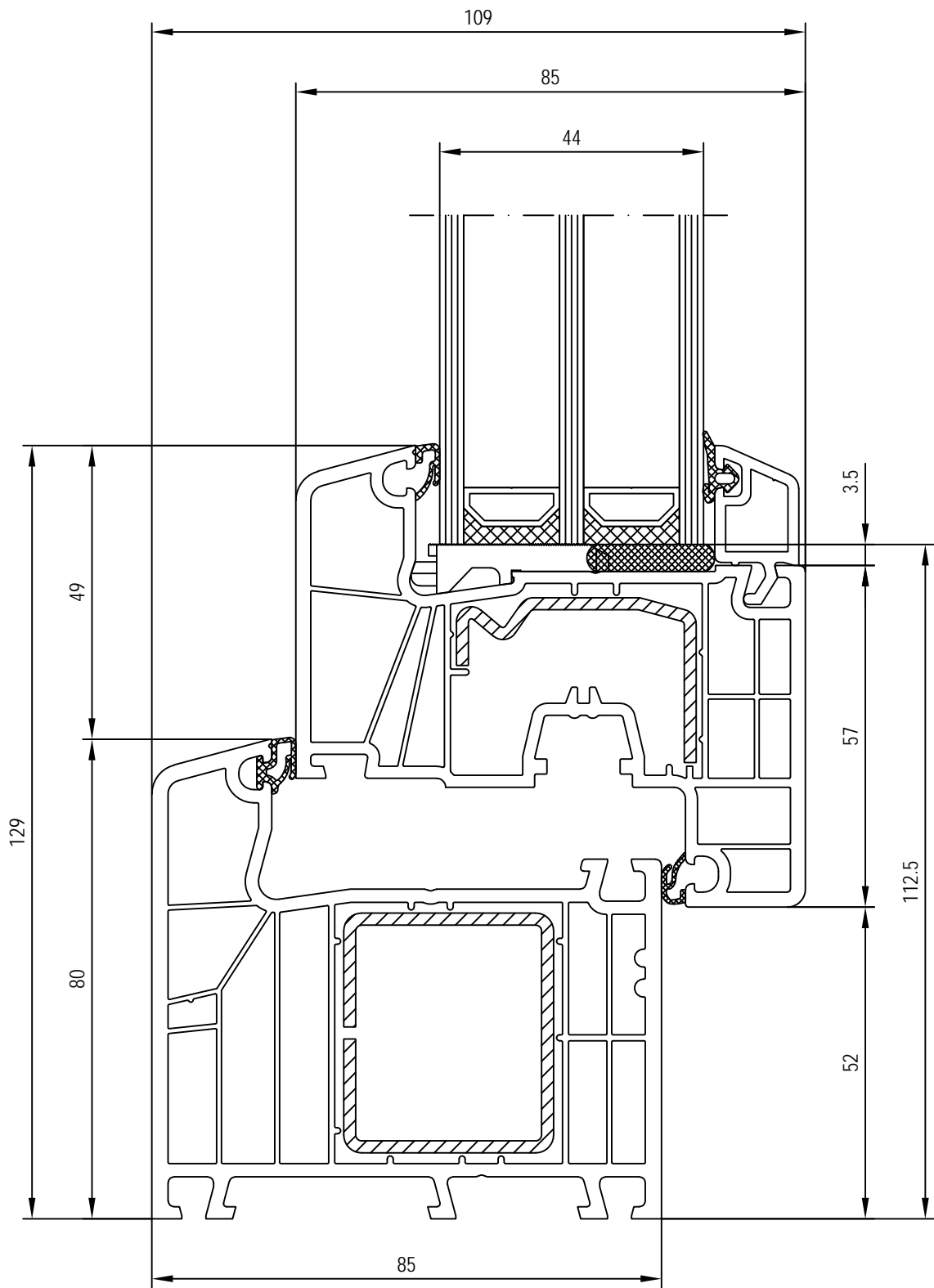
IDEAL 7000
 profile section



frame profile 85mm: 070x02
 sash profile 85mm: 170x20
 glazing bead: 120632



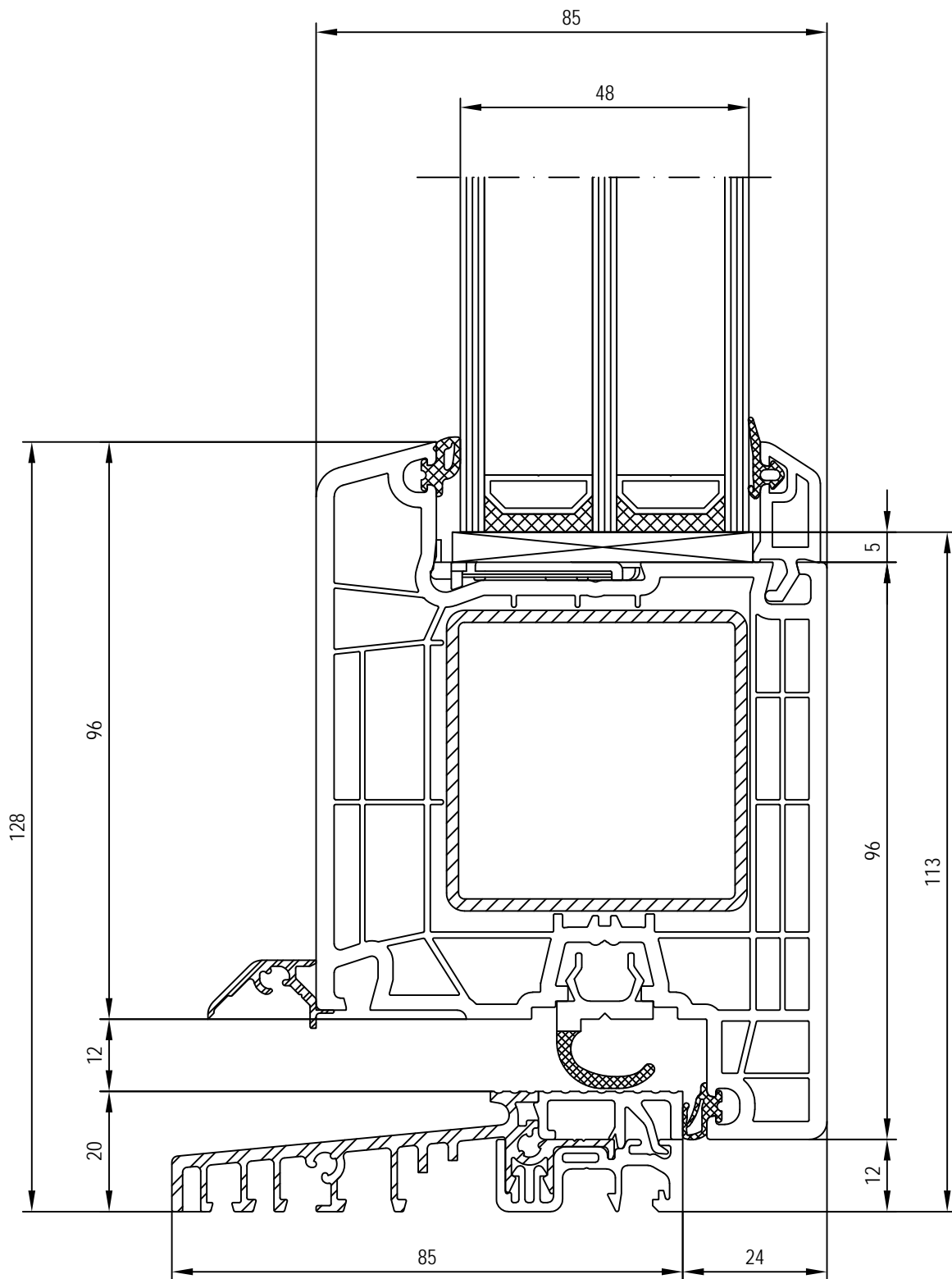
IDEAL 7000
 profile section



frame profile 85mm: 170x03
 sash profile 85mm: 170x20
 glazing bead: 120633



IDEAL 7000
 profile section

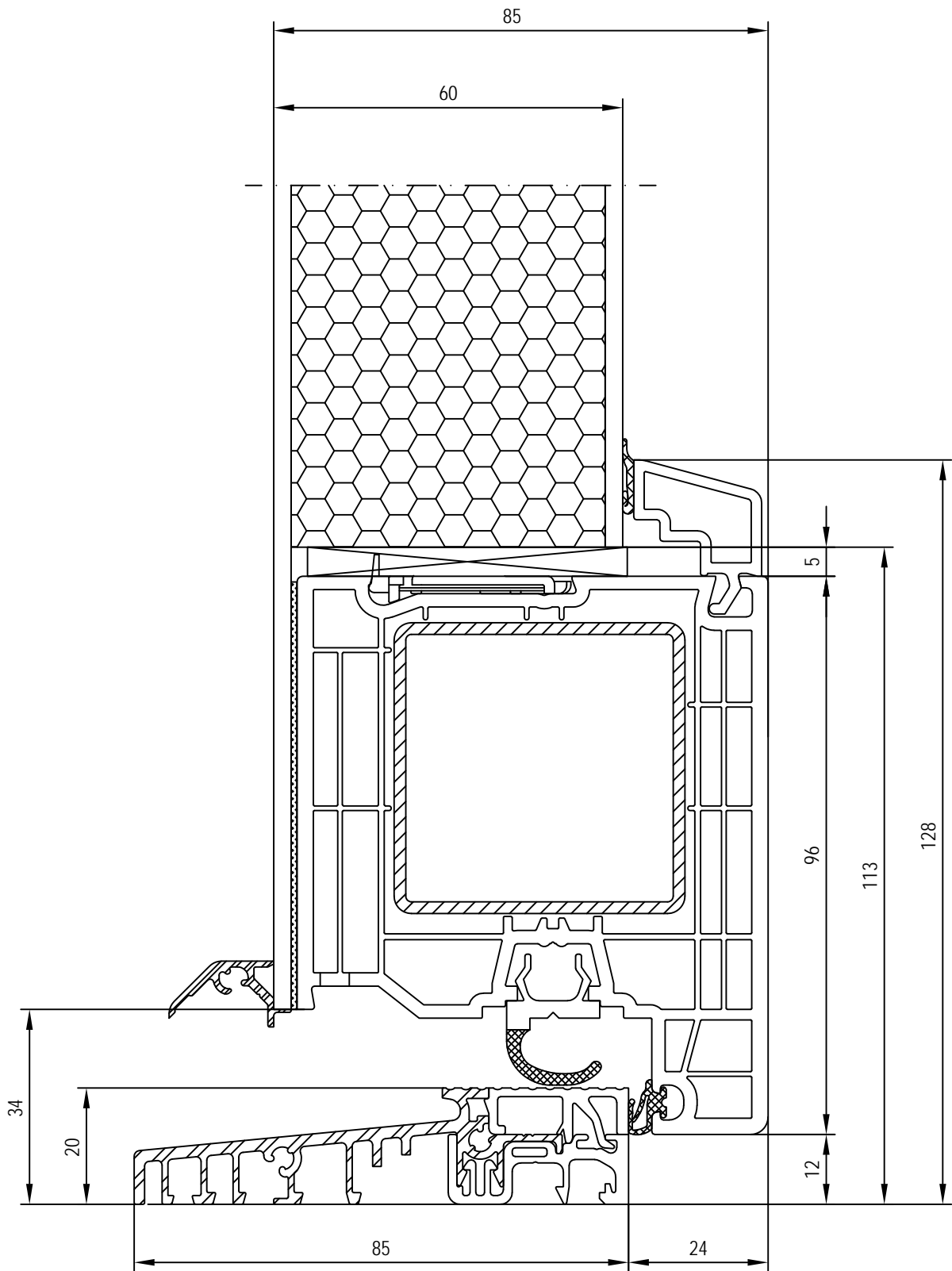


sash profile 85mm: 170x33
 threshold profile 85mm: 269060
 glazing bead: 120632



IDEAL 7000 Doors / Thresholds

profile section



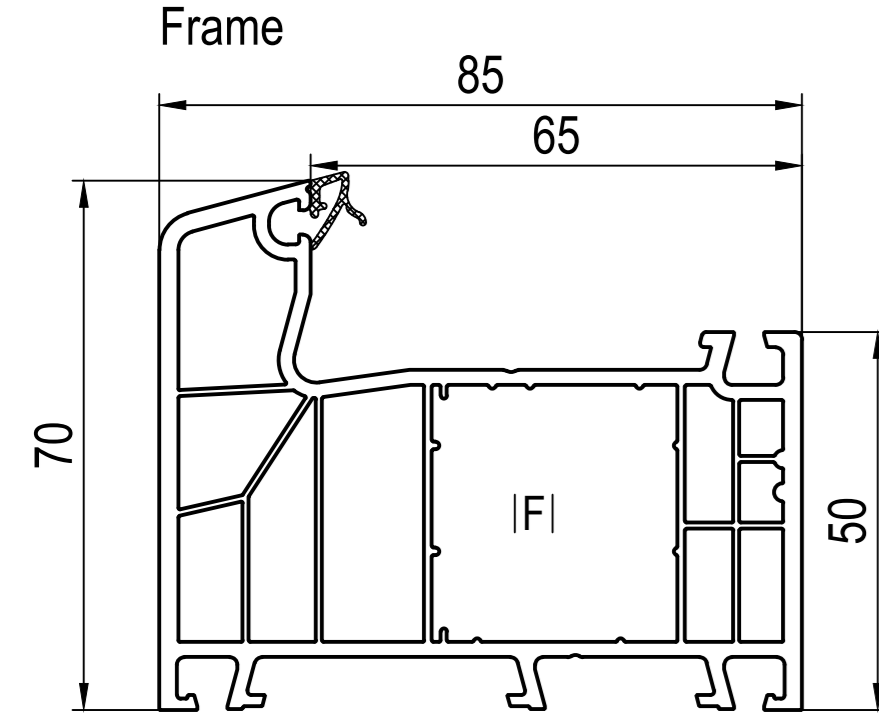
sash profile 70mm: 170x39
 threshold profile 70mm: 269060
 glazing bead: 120636



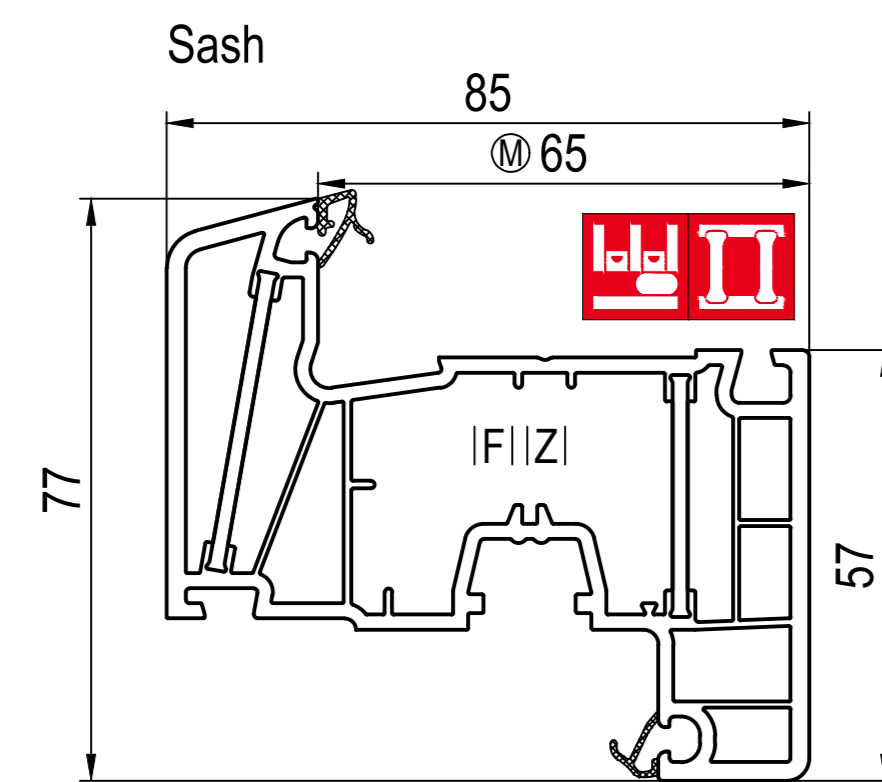
IDEAL 7000 - Doors / Thresholds

profile section

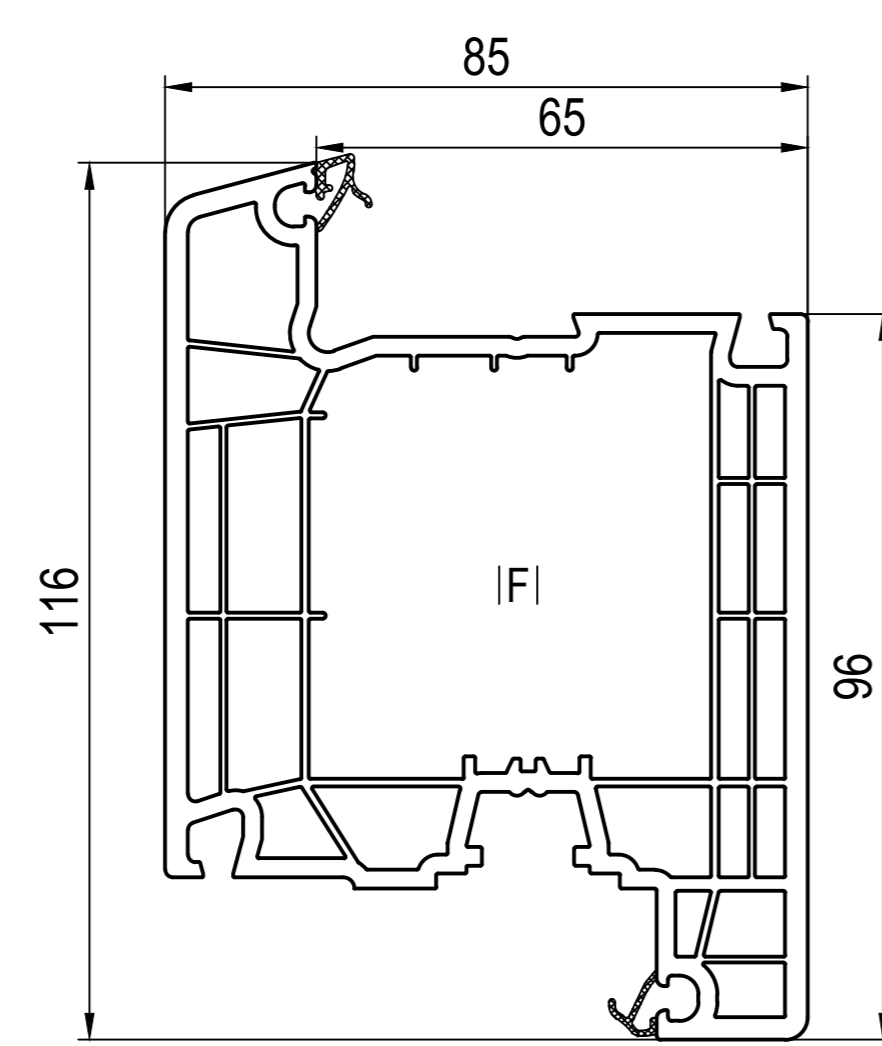
Main Profiles



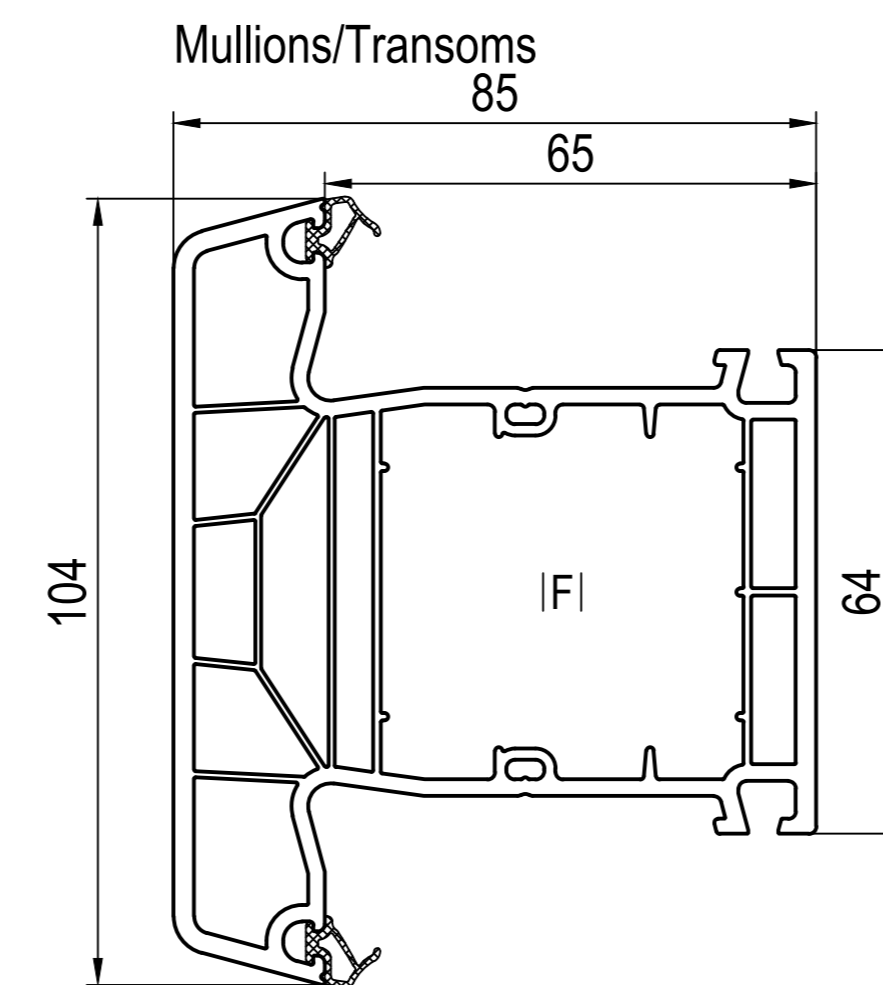
■ 170x020000098 (CL)
IA| 670301
FI| 249014, 249015, 249016, 259105, 259106, 259107
II| 640441
PI| 279402, 289304
QI| 287301, 287303
VI| 676370 -> |UI| 277070



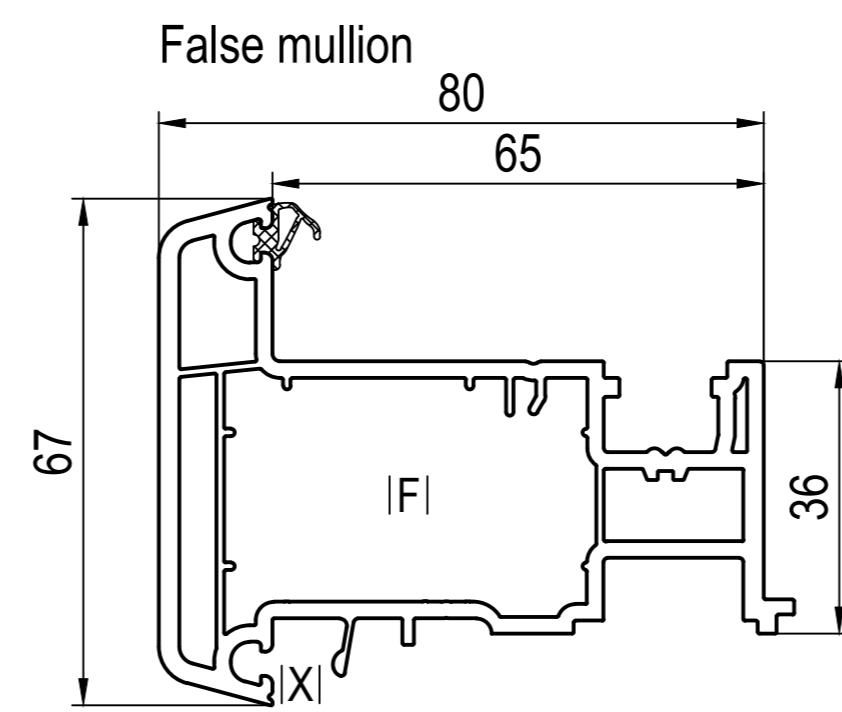
■ 070x20 (CL)
IA| 685251, 680250, 655251, 650252, 620250, 650250
FI| 249016, 259020, 259021, 259022, 259026, 289021
II| 620440
JI| 642261, 642262, 642263, 646265, 646266
PI| 279420
ZI| 650295



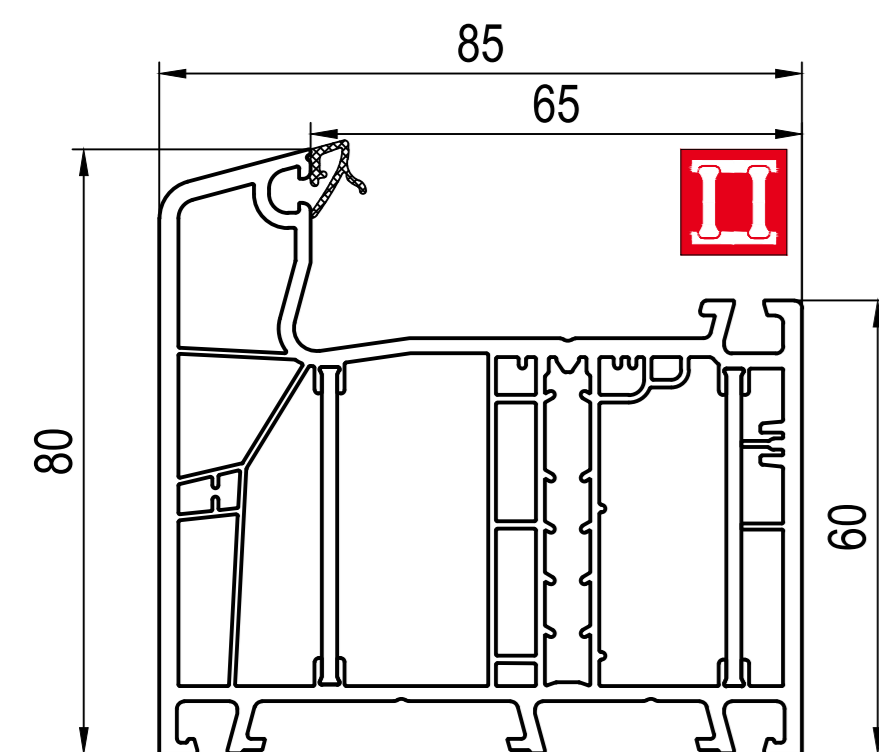
■ 170x33 (CL)
IA| 620301, 625305
FI| 229135, 229137
EI| 640038 |OI| 640938
II| -
PI| 279433



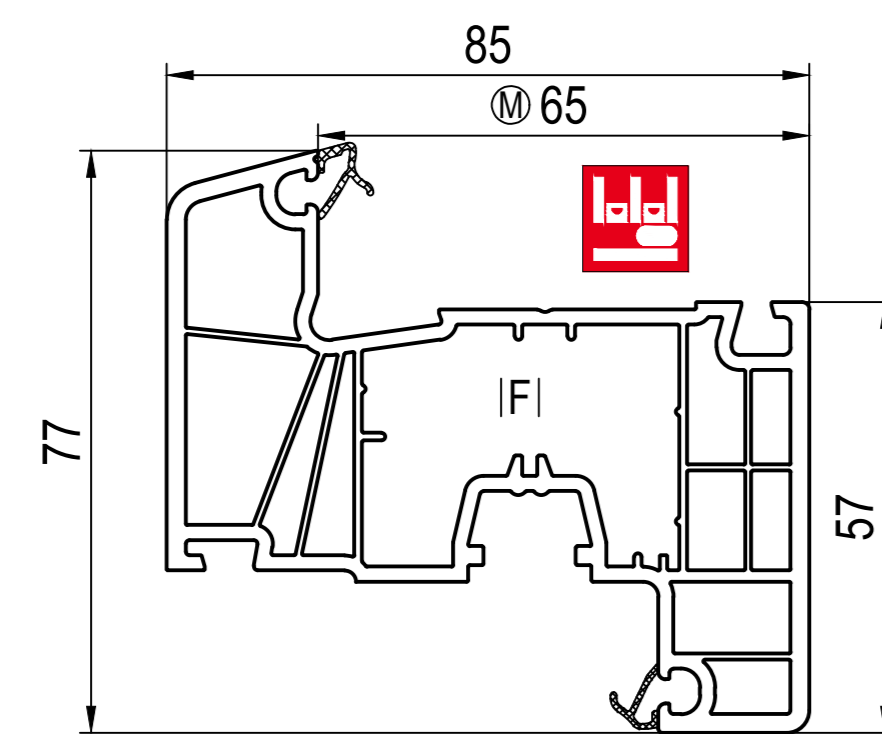
■ 170x44 (CL)
IA| 670301
DI| 677244 ~M 65
FI| 677145 |DI| 677146 ~170x4x ...
EI| 677144 ~170x3x ...
OI| 670950
DI| 640046 ~ universal
FI| 249034, 249035, 249039
II| 640441
PI| 289343
UI| 277070, 287070
OI| 680971 |XI| 476072



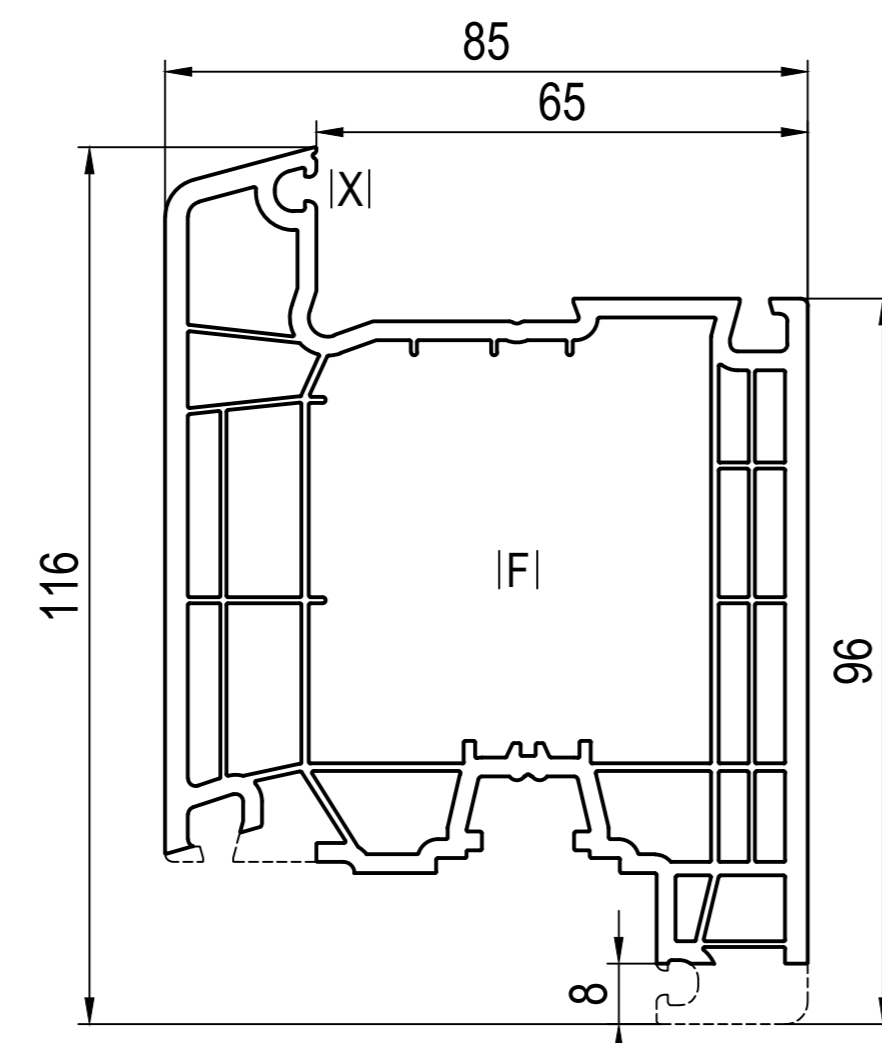
■ 170x64 (CL)
CI| 670064
FI| 229029, 229030, 289066
PI| 279364
XI| 447340, 449340, 447042, 449042



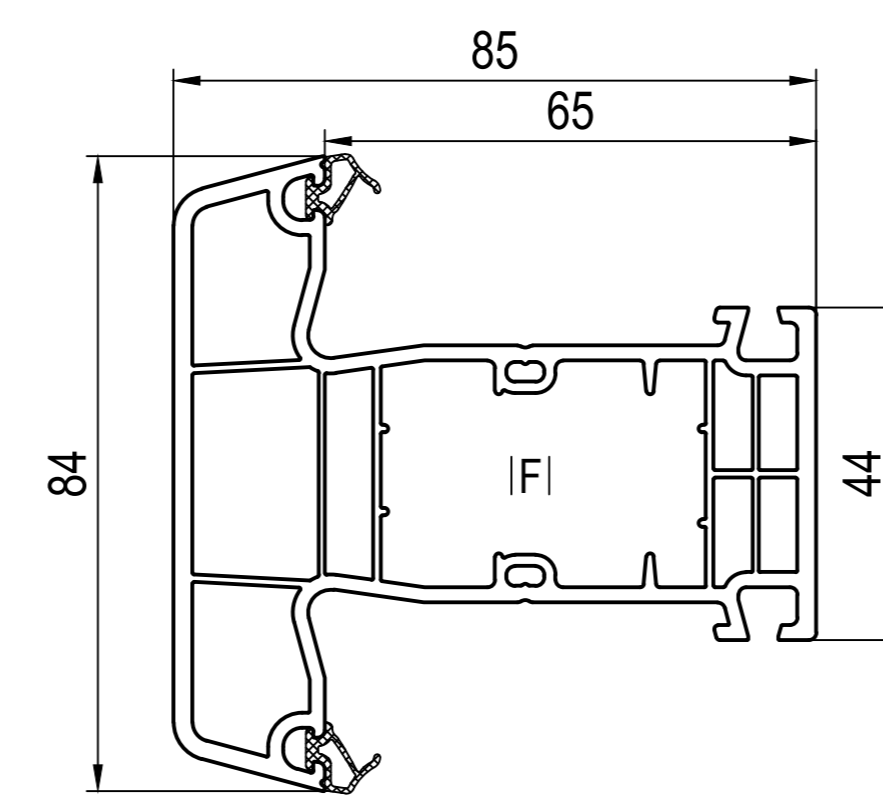
■ 070x030000095 (CL)
IA| 670301
II| 640441
PI| 289304, 289313
QI| 287301, 287303
UI| 277070, 287070
OI| 680970 |XI| 476070
VI| 676370 -> |UI| 277070



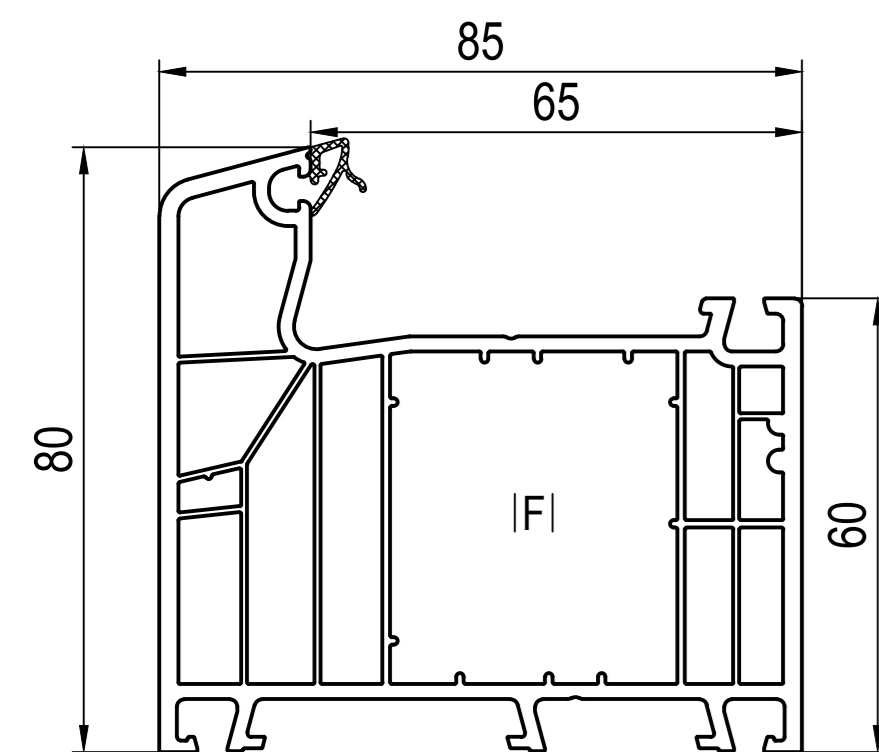
■ 170x20 (CL)
IA| 685251, 680250, 655251, 650252, 620250, 650250
FI| 249016, 259020, 259021, 259022, 259026, 289021
II| 620440
JI| 642261, 642262, 642263, 646265, 646266
PI| 279420



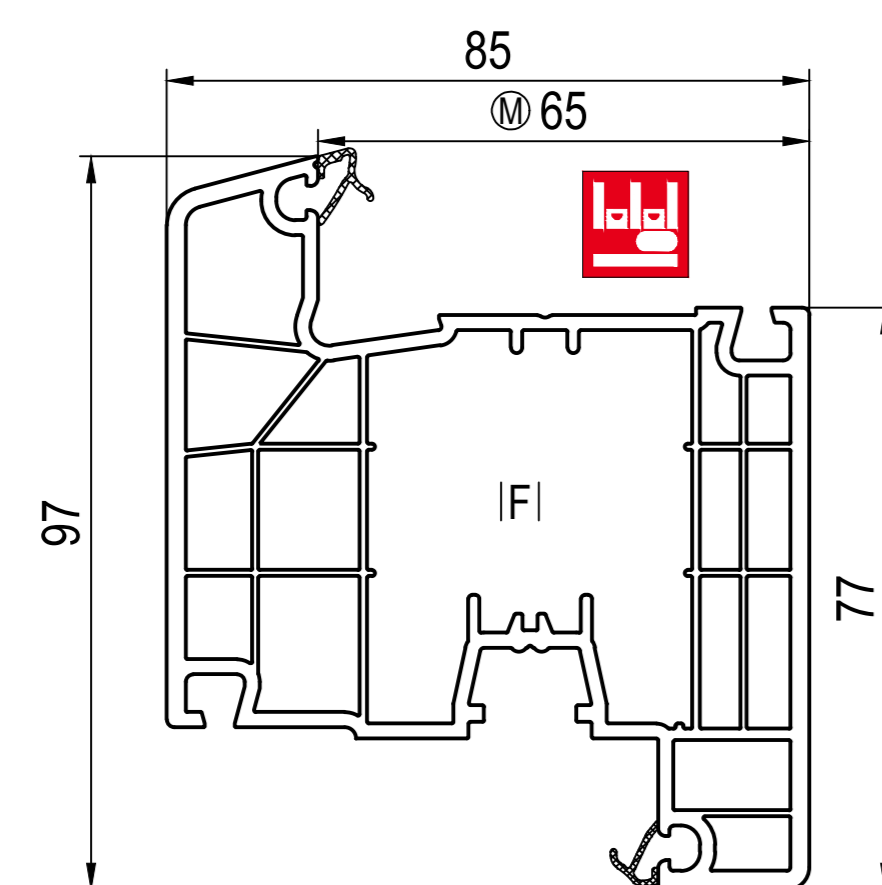
■ 170x36 (CL)
= 170x33 cut
IA| 620301, 625305
FI| 229135, 229137
EI| 640038 |OI| 640938
II| -
XI| 477025, 479025, 477015, 479015



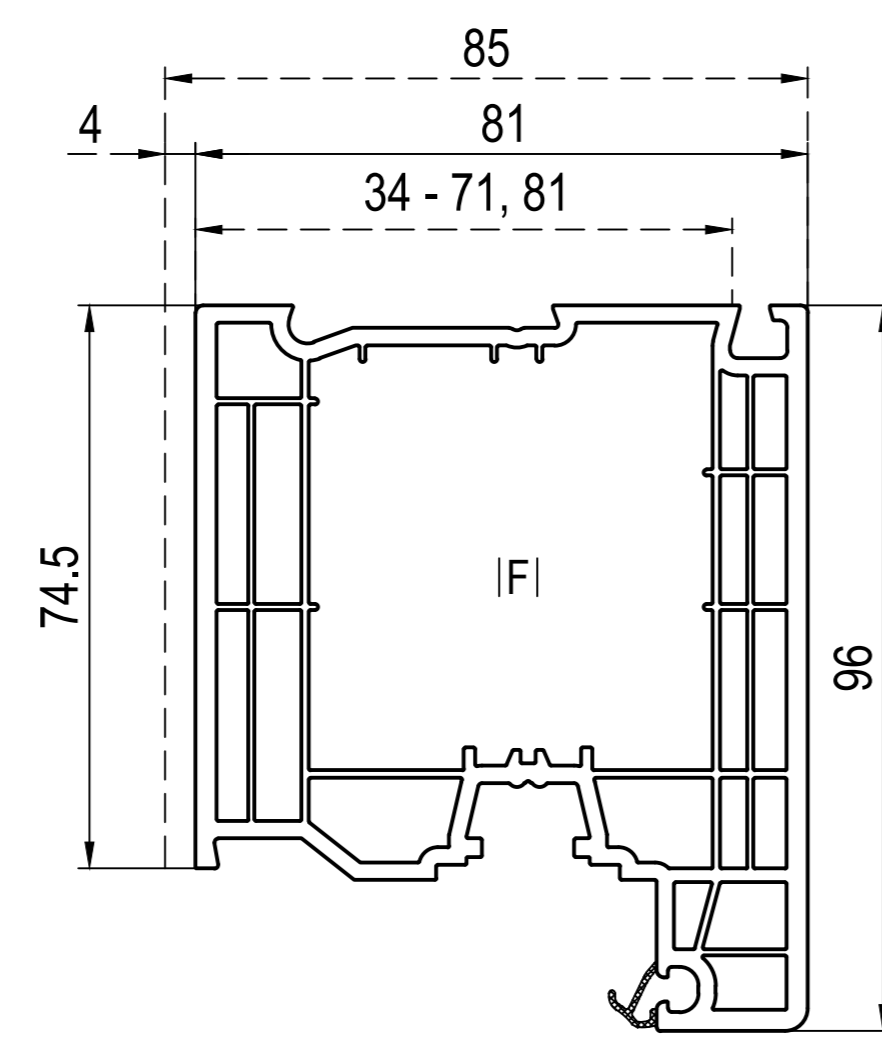
■ 170x41 (CL)
IA| 670301
DI| 677241 ~M 65
FI| 677101, 679141 ~170x4x ...
EI| 677142 ~170x3x ...
OI| 670950
DI| 650047 ~ universal
FI| 259043, 259044
II| 640441
PI| 289341
UI| 277070, 287070
OI| 680971 |XI| 476073



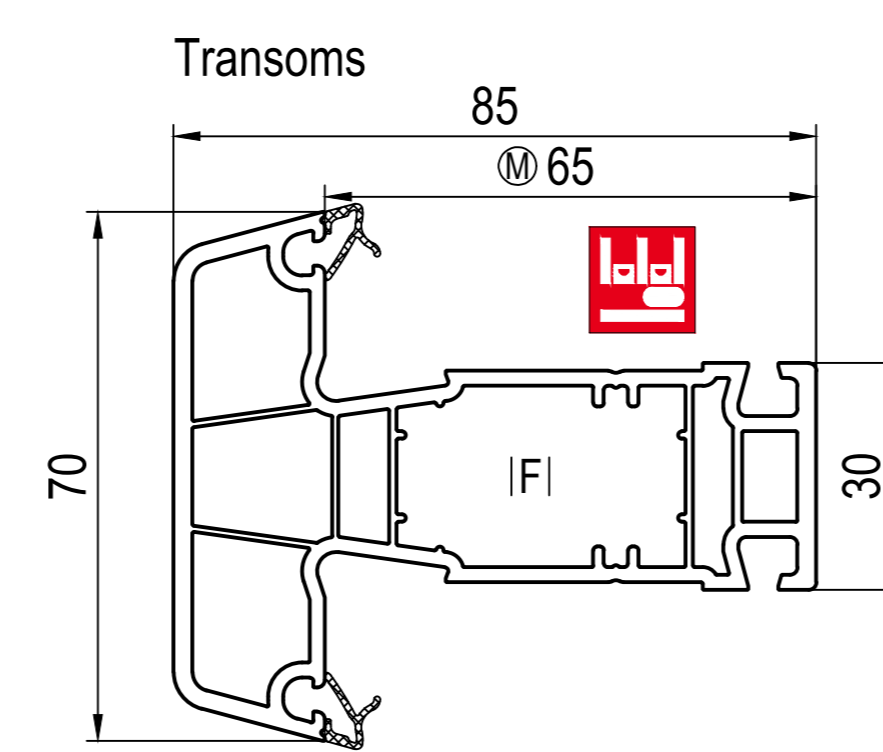
■ 170x03 (CL)
IA| 670301
FI| 229017, 229114, 229115, 229120
II| 640441
PI| 289304, 289313
QI| 287301, 287303
UI| 277070, 287070
DI| 670047 |OI| 680970 |XI| 476070
VI| 676370 -> |UI| 277070



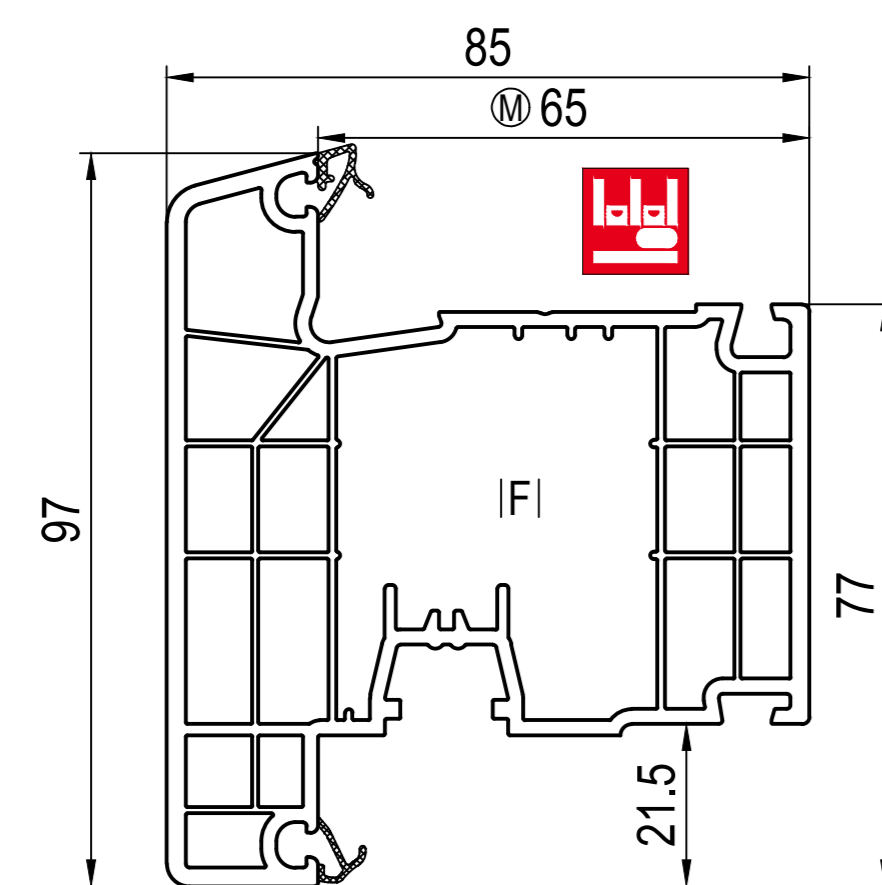
■ 170x30 (CL)
IA| 685251, 680250, 655251, 650252, 620250, 650250
FI| 249029 *, 279029
*EI| 640029 |OI| 640938
II| 620440
JI| 642261, 642262, 642263, 646265, 646266
PI| 279430



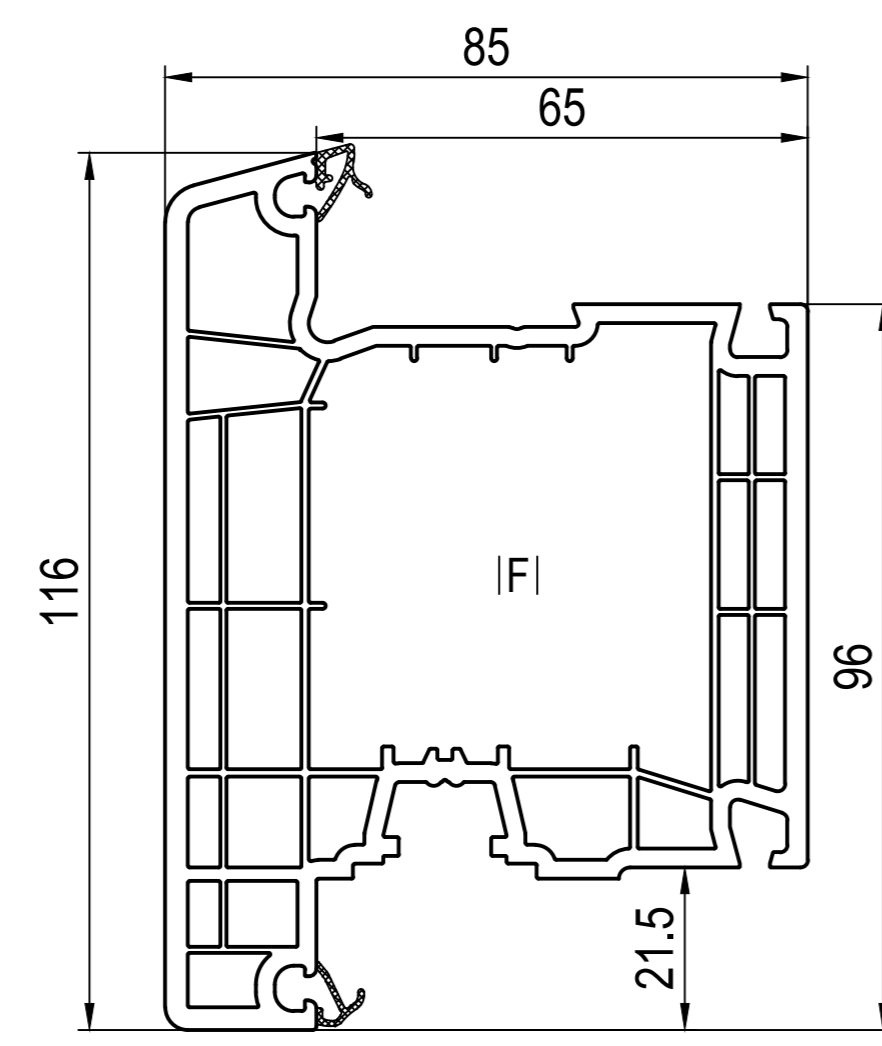
■ 170x39 (CL)
IA| 620301
FI| 229135, 229137
EI| 640038 |OI| 640938
II| -



■ 180x46 (CL)
IA| 685251, 680250, 655251, 650252, 620250, 650250
DI| 687246 ~M 65
DI| 680046 ~ universal
FI| 229037
JI| 642261, 642262, 642263, 646265, 646266
PI| 289346



■ 170x31 (CL)
IA| 685251, 680250, 655251, 650252, 620250, 650250
FI| 249029 *, 279029
*EI| 640029 |OI| 640938
II| 620440
JI| 642261, 642262, 642263, 646265, 646266



■ 170x35 (CL)
IA| 620301, 625305
FI| 229135, 229137
EI| 640038 |OI| 640938
II| -

■ Backstop Gasket System

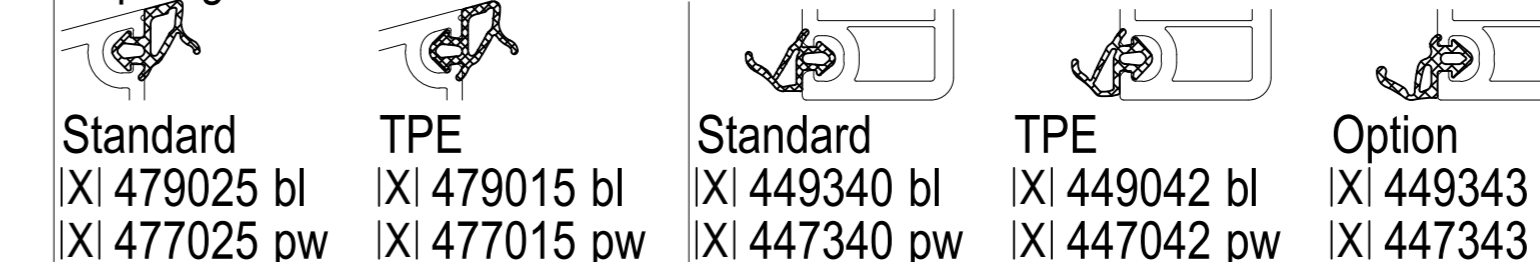
⊗ Bonding of pane Option

□ not laminated

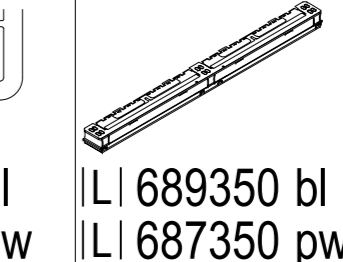
■ laminated

- AI Spacer
- CI End caps
- DI Connector
- DI Connector without knobs
- EI Corner connector
- FI Reinforcements
- II Lifter
- J Bonding of pane
- LI Basic ventilation system
- OI Auxiliary parts
- PI **aluskin** Aluminium shells
- QI Aluminium step protection
- UI Aluminium threshold
- VI Connection for threshold
- XI Gaskets
- ZI Special accessories

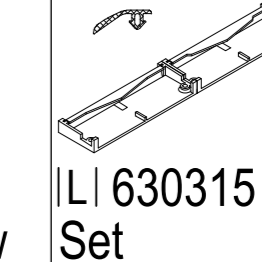
Repair gaskets



Basic Air max



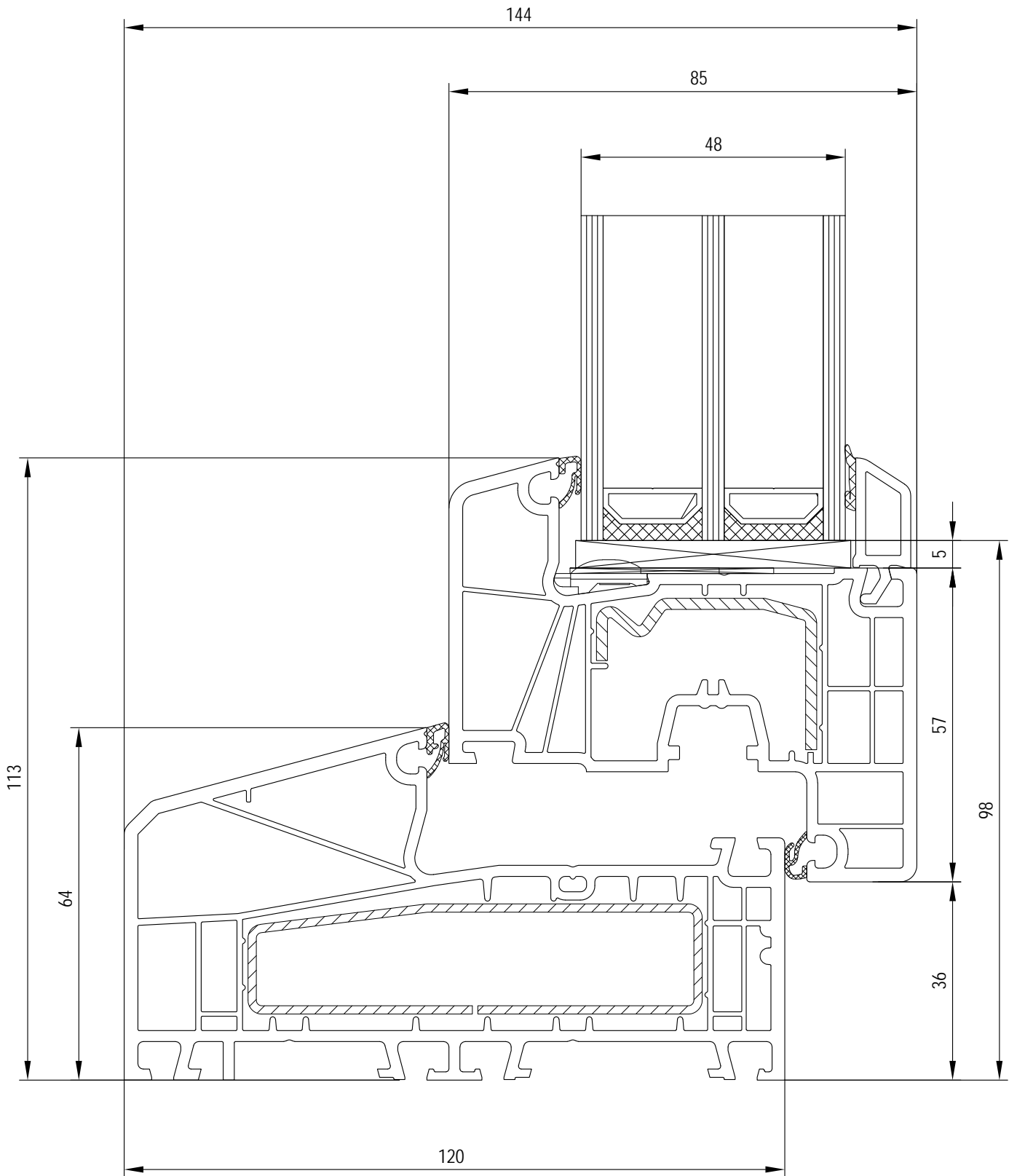
REGEL-air®



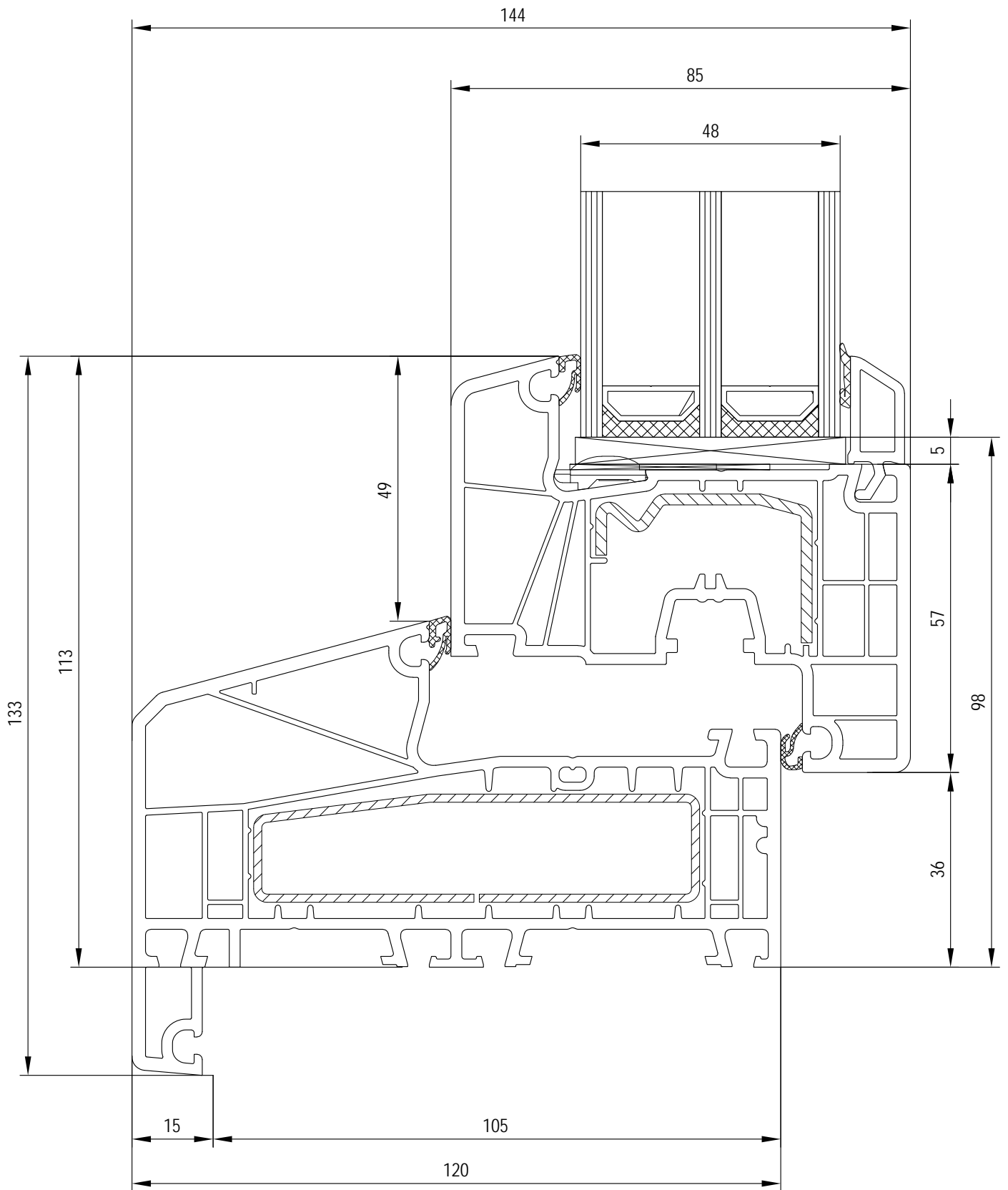
-> for

(CL) Classic-line

bl black
pw papyrus-white



frame profile 120mm: 170x53
 sash profile 85mm: 170x20
 glazing bead: 120632



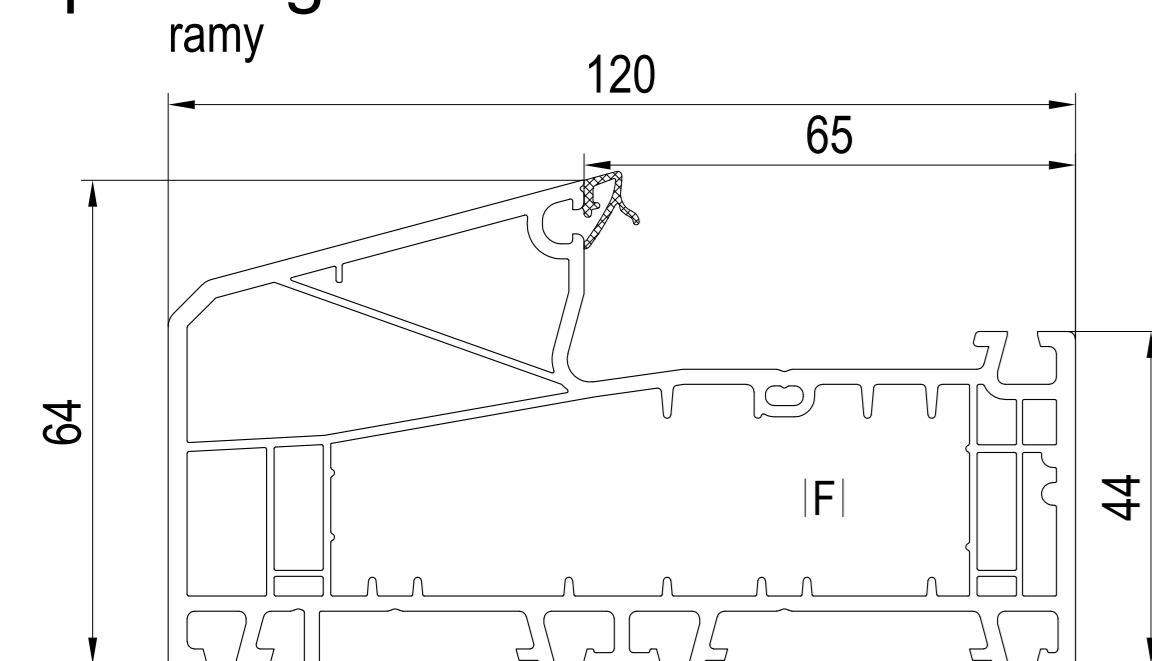
frame profile 120mm: 170x54
 sash profile 85mm: 170x20
 glazing bead: 120632



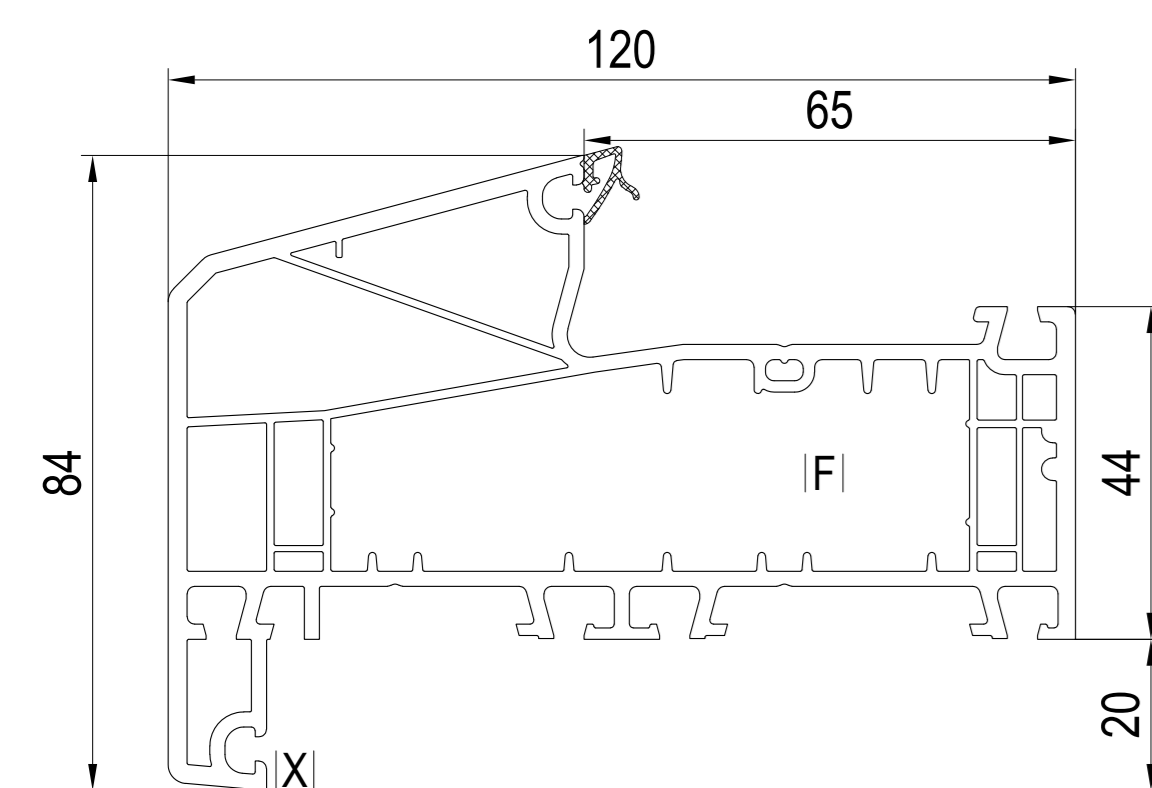
IDEAL 7000 NL

profile section

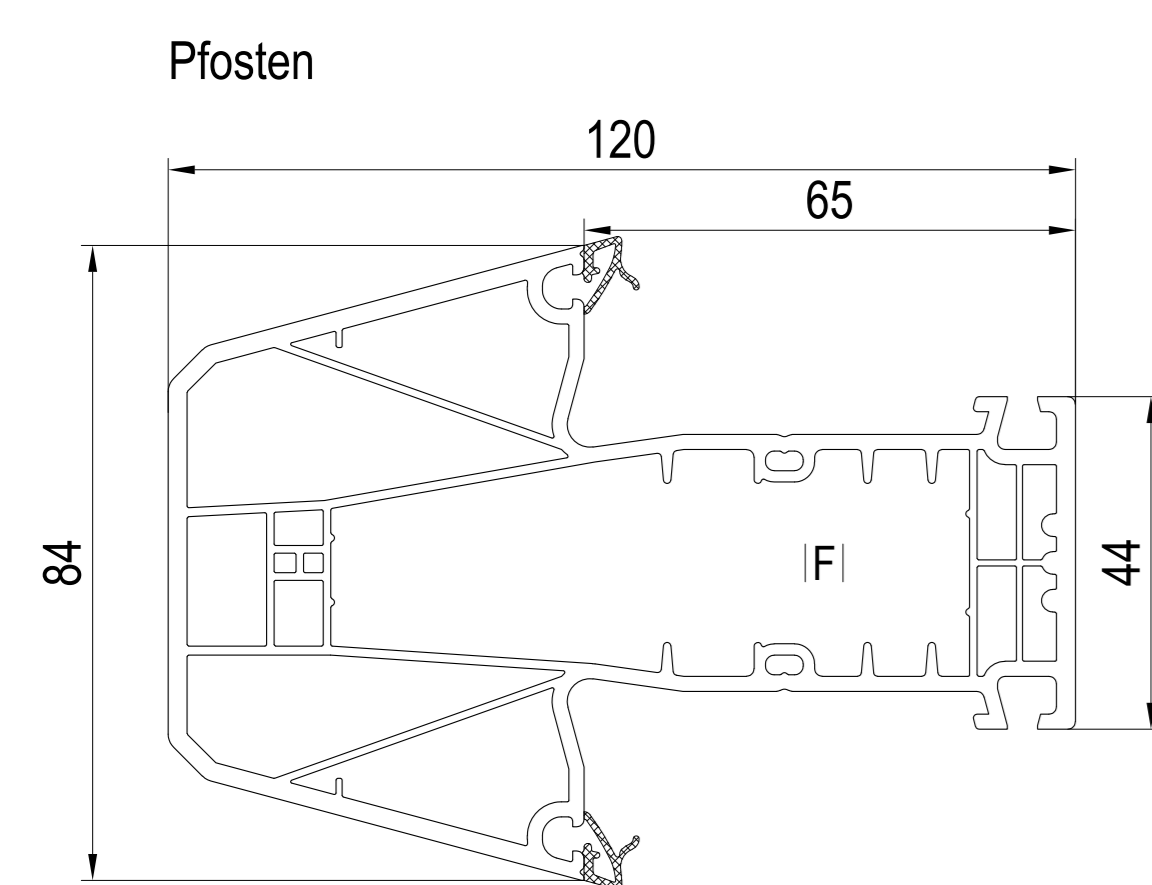
profile główne



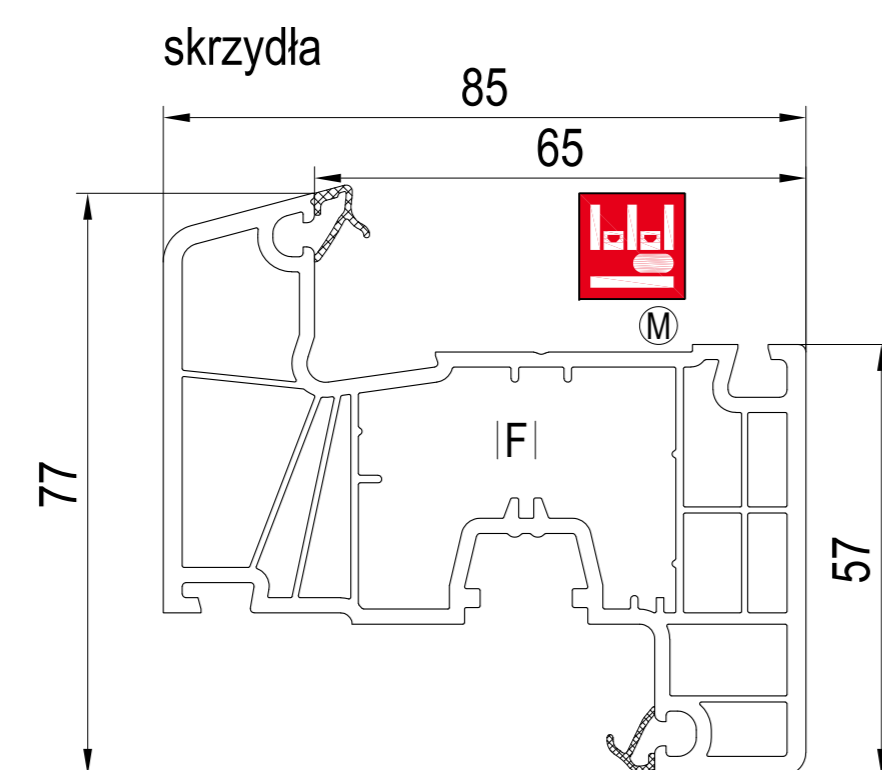
- 170x53 (CL)(NL)
- 178x53 (CL)(NL)
- A 670301
- F 279053, 279054, 279055
- U 249058



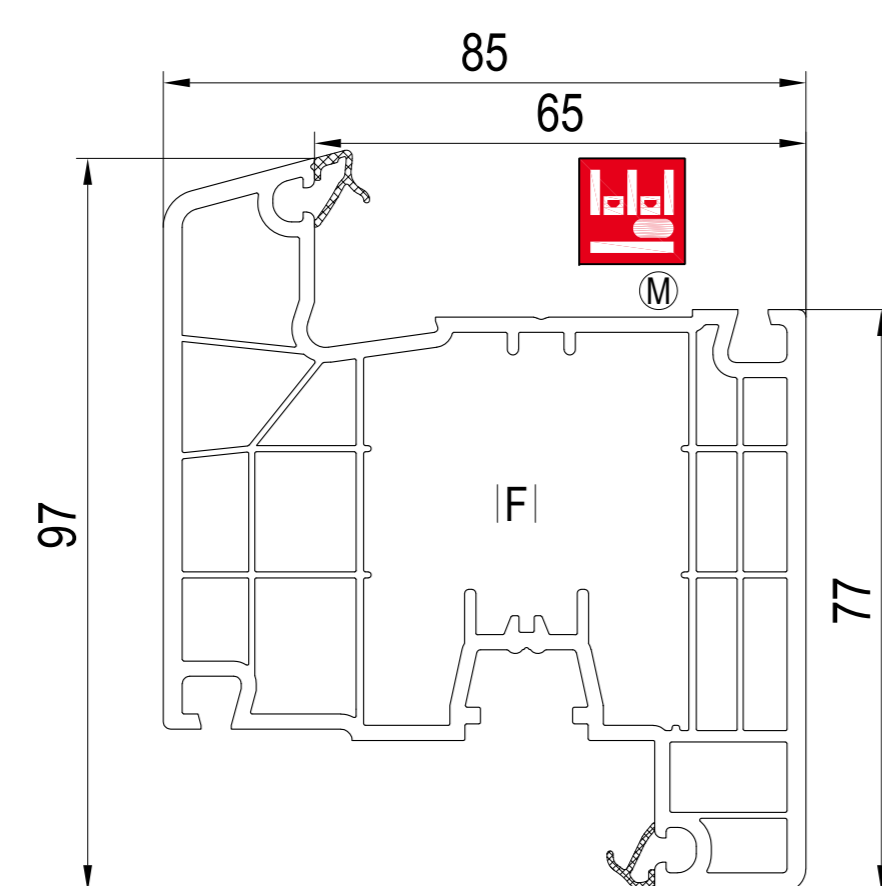
- 170x54 (CL)(NL)
- 178x54 (CL)(NL)
- A 670301
- F 279053, 279054, 279055
- U 249058
- XI 447340, 449340, 447042, 449042



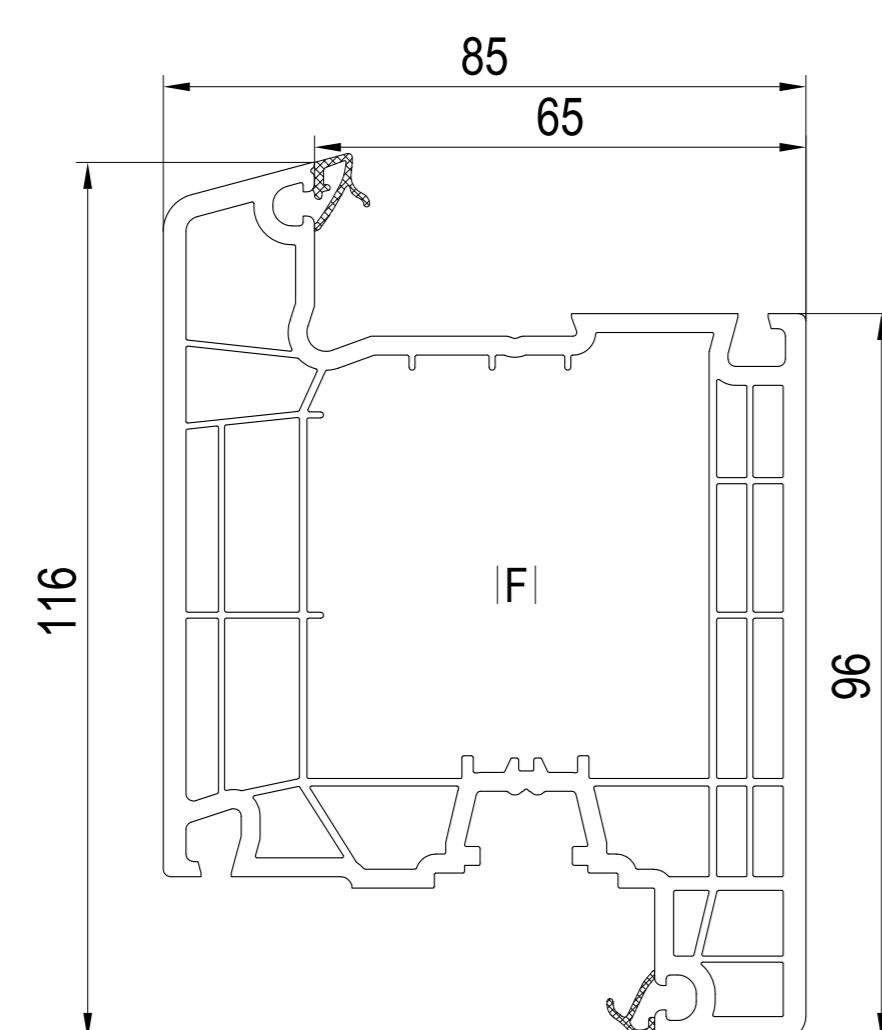
- 170x57 (CL)(NL)
- 178x57 (CL)(NL)
- A 670301
- D 677101, 679141 ~170x4x ...
- XI 470057, 479057
- D 620046, 640046 ~universal
- F 279053, 279054, 279055
- U 249058



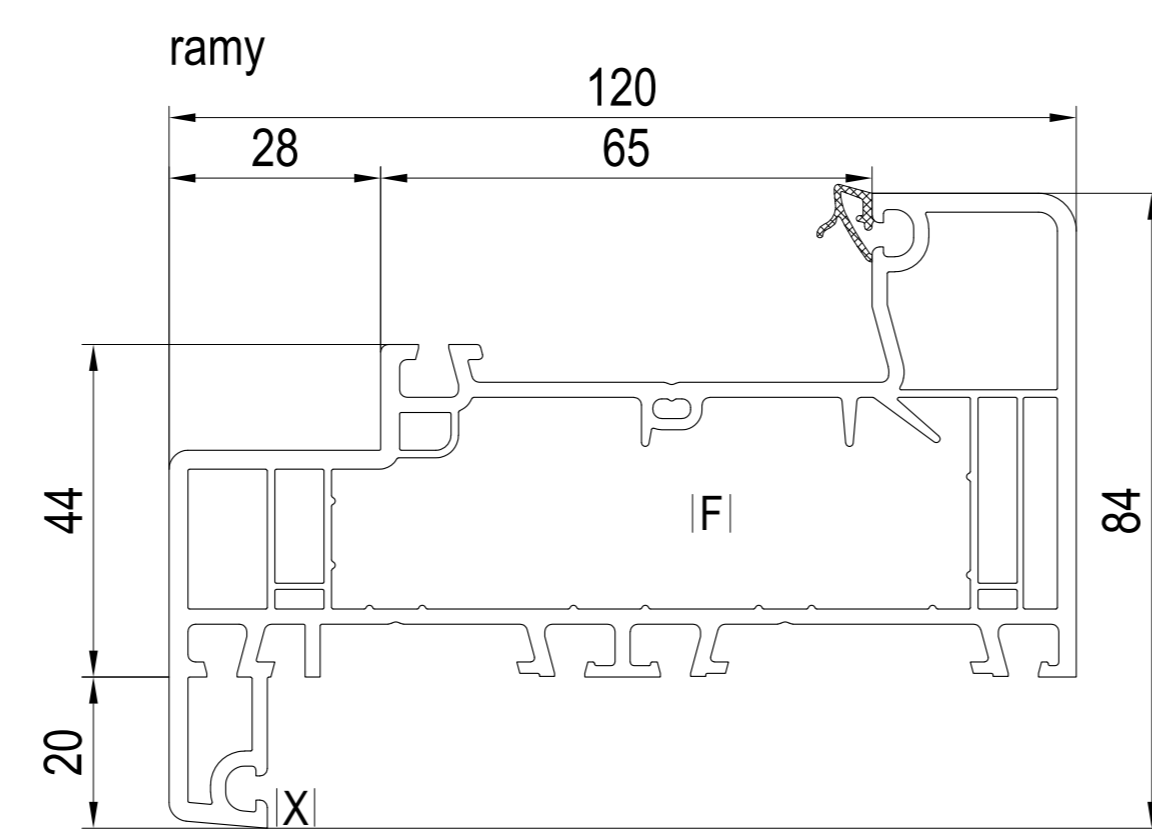
- 170x20 (CL)
- 178x20 (CL)
- M A 650250, 650252, 655251, 680250, 685251 oder M J
- FI 249016, 259020, 259021, 259026, 289021
- M J 642261, 642262, 642263, 646265, 646266



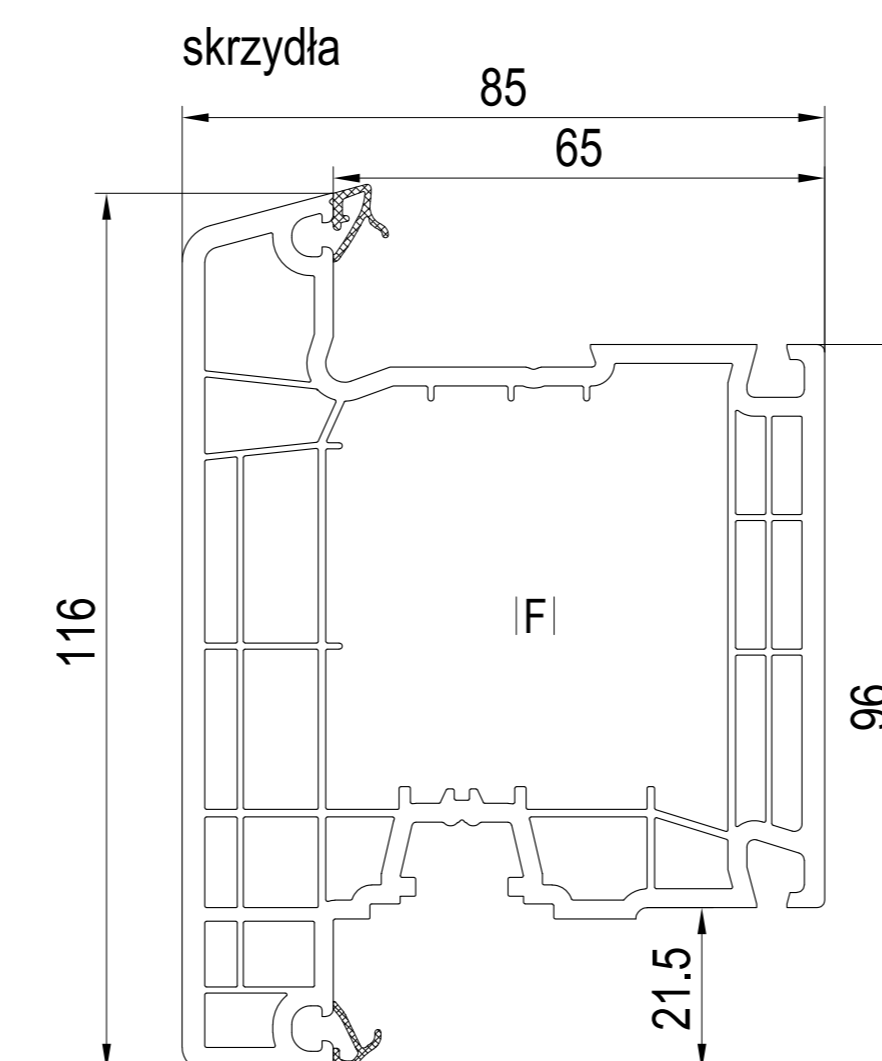
- 170x30 (CL)
- 178x30 (CL)
- M A 650250, 650252, 655251, 680250, 685251 oder M J
- FI 209192, 209193
- M J 642261, 642262, 642263, 646265, 646266



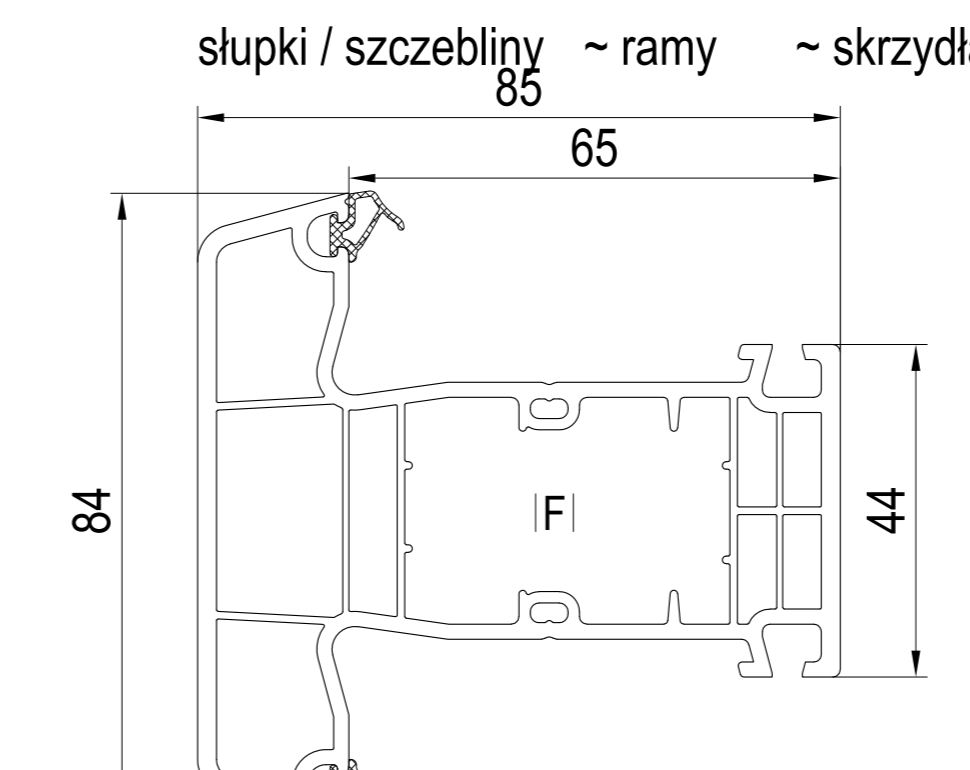
- 170x33 (CL)
- 178x33 (CL)
- A 620301, 620305
- FI 229135, 229137



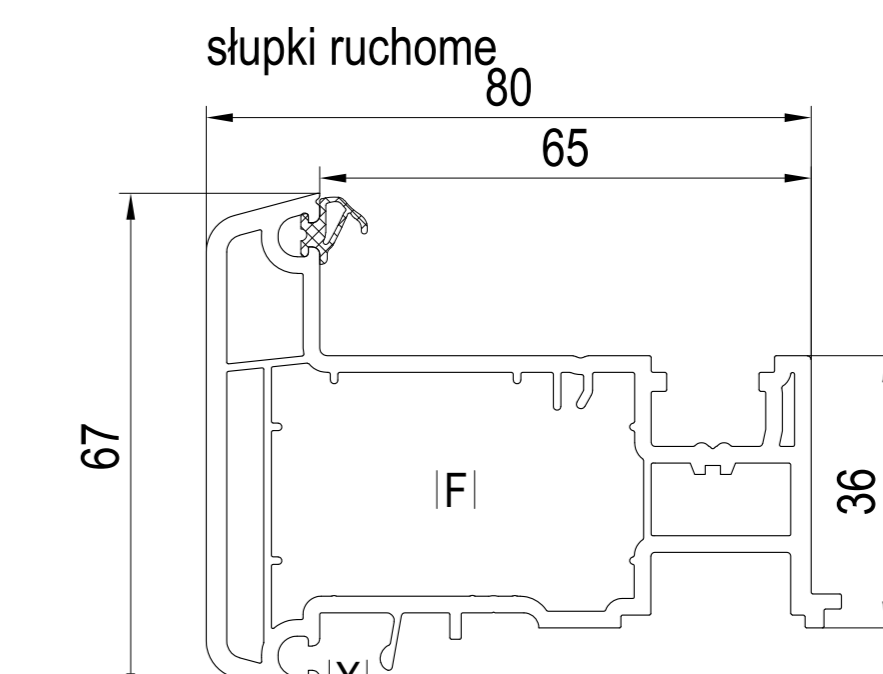
- 170x55 (CL)(NL)
- 178x55 (CL)(NL)
- A 670301
- F 279053, 279054, 279055
- XI 447340, 449340, 447042, 449042



- 170x35 (CL)
- 178x35 (CL)
- A 620301, 620305
- FI 229135, 229137

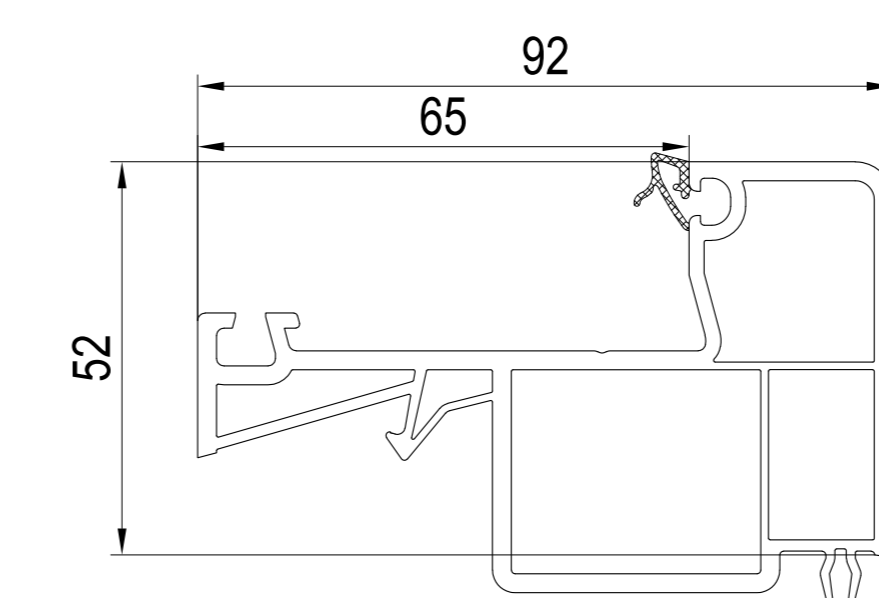


- 170x41 (CL)
- 178x41 (CL)
- A 670301
- M D 677241 ~ M ...
- D 677101, 679141 ~170x4x ...
- D 677142 ~170x3x ...
- D 620046, 640046 ~universal
- F 259043, 259044

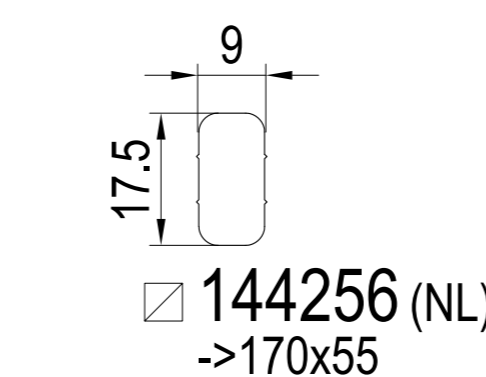


- 170x64 (CL)
- 178x64 (CL)
- C 670064
- F 229029, 229030, 289066
- XI 447340, 449340, 447042, 449042

profile dodatkowe



- 170x58 (CL)(NL)
- 178x58 (CL)(NL)
- A 670301
- >170x53
- >170x54
- >170x57



- 144256 (NL)
- >170x55

profil

- xx0xxx ~ RAL 9016 = biały
- xx8xxx ~ RAL 9001 = kremowy
- xxx3xx = uszczelka: czarna
- xxx4xx = uszczelka: papirusowa

listwy przyszybowe
profile dodatkowe
dodatki
= kremowy na specjalne zamówienie

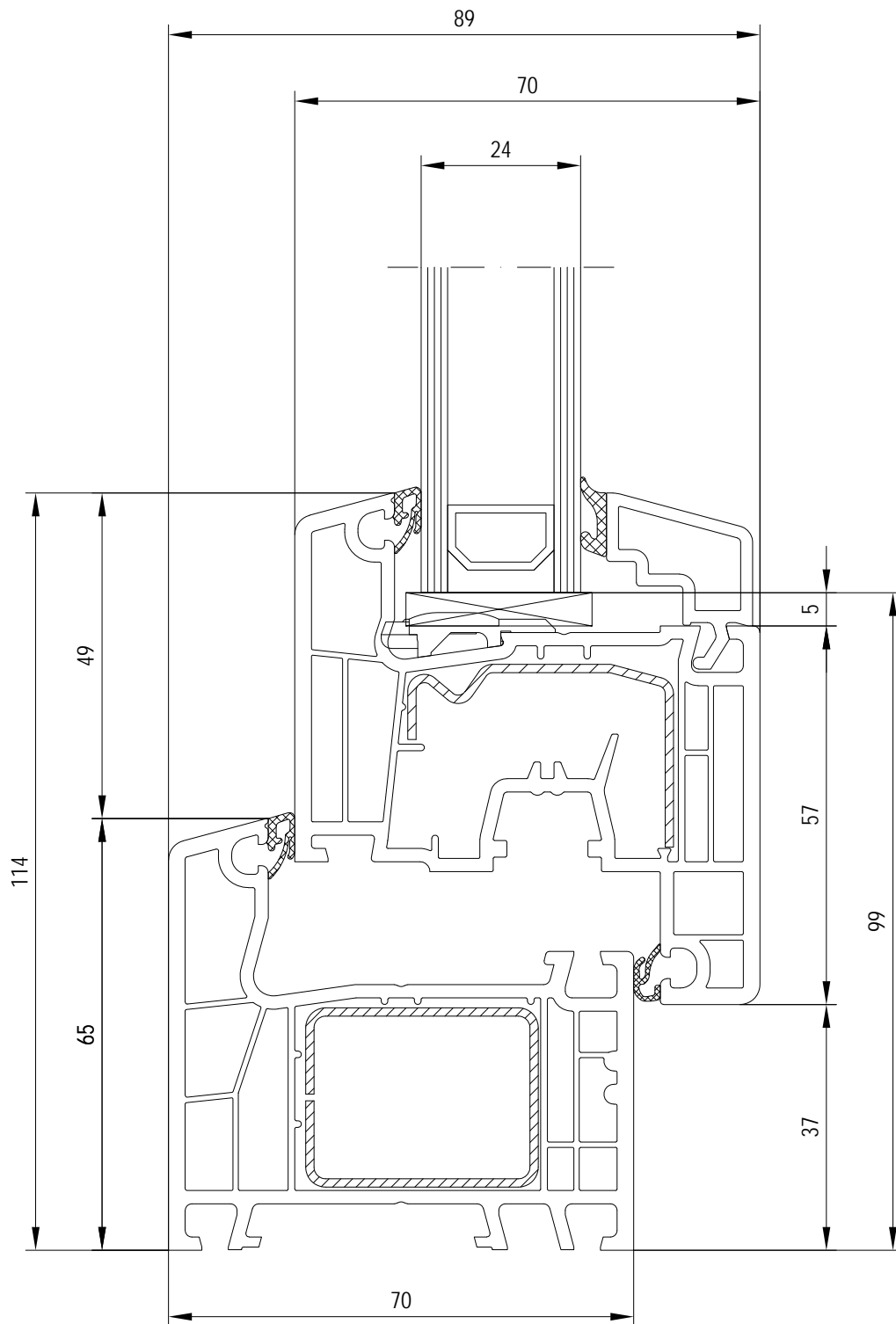
- M wklejana szyba opcja
- nie występuje w kolorze (brak okleiny)
- występuje w kolorze (okleina)

- A) mostek szklenia
- C) zaślepka
- D) łącznik
- D) łącznik bez kolnierzy
- F) wzmocnienie
- J) wklejana szyba
- U) próg aluminiowy
- X) uszczelka

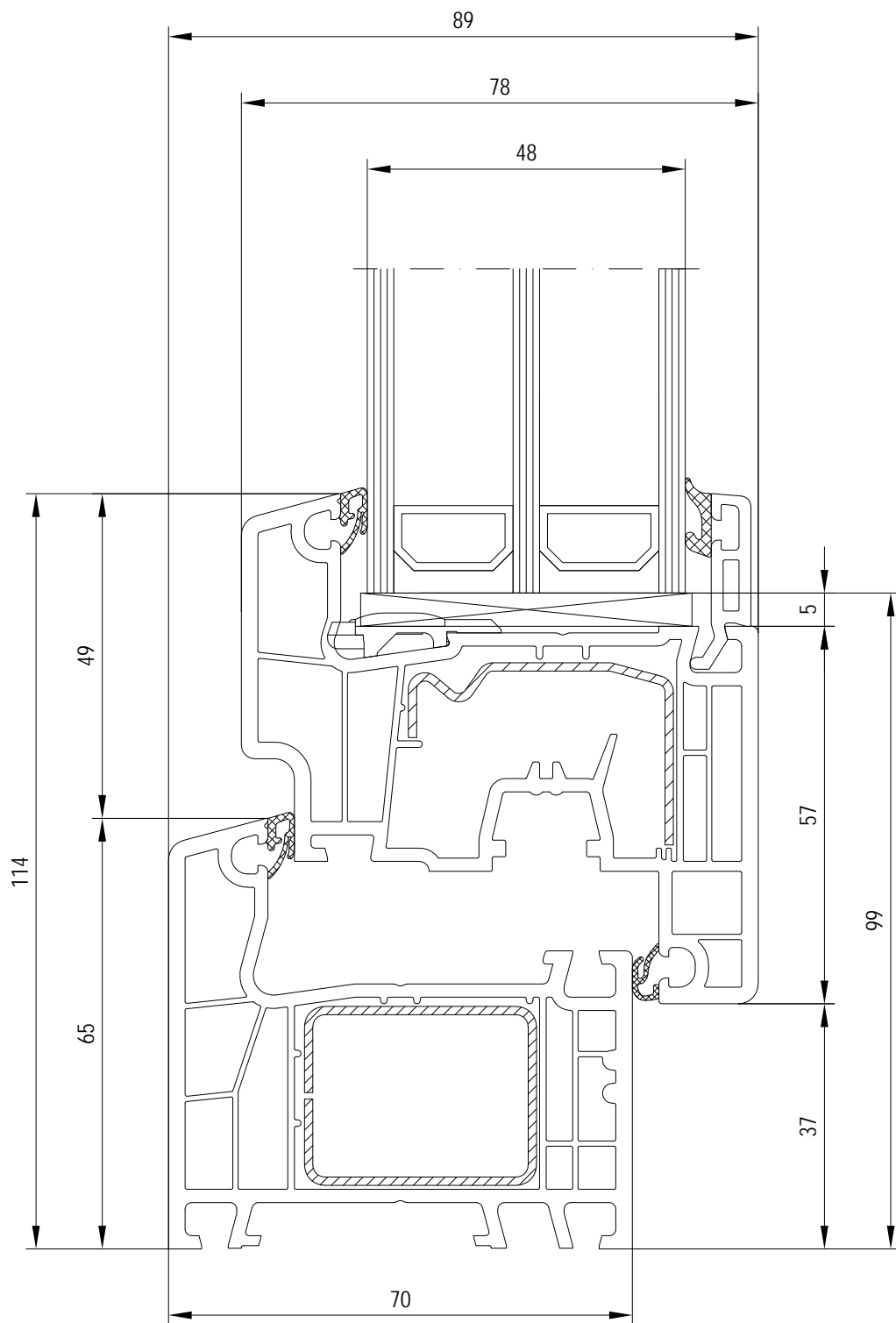
-> do

- (CL) Classic-line
- (NL) IDEAL 7000 NL

cza czarny
pap papirusowy



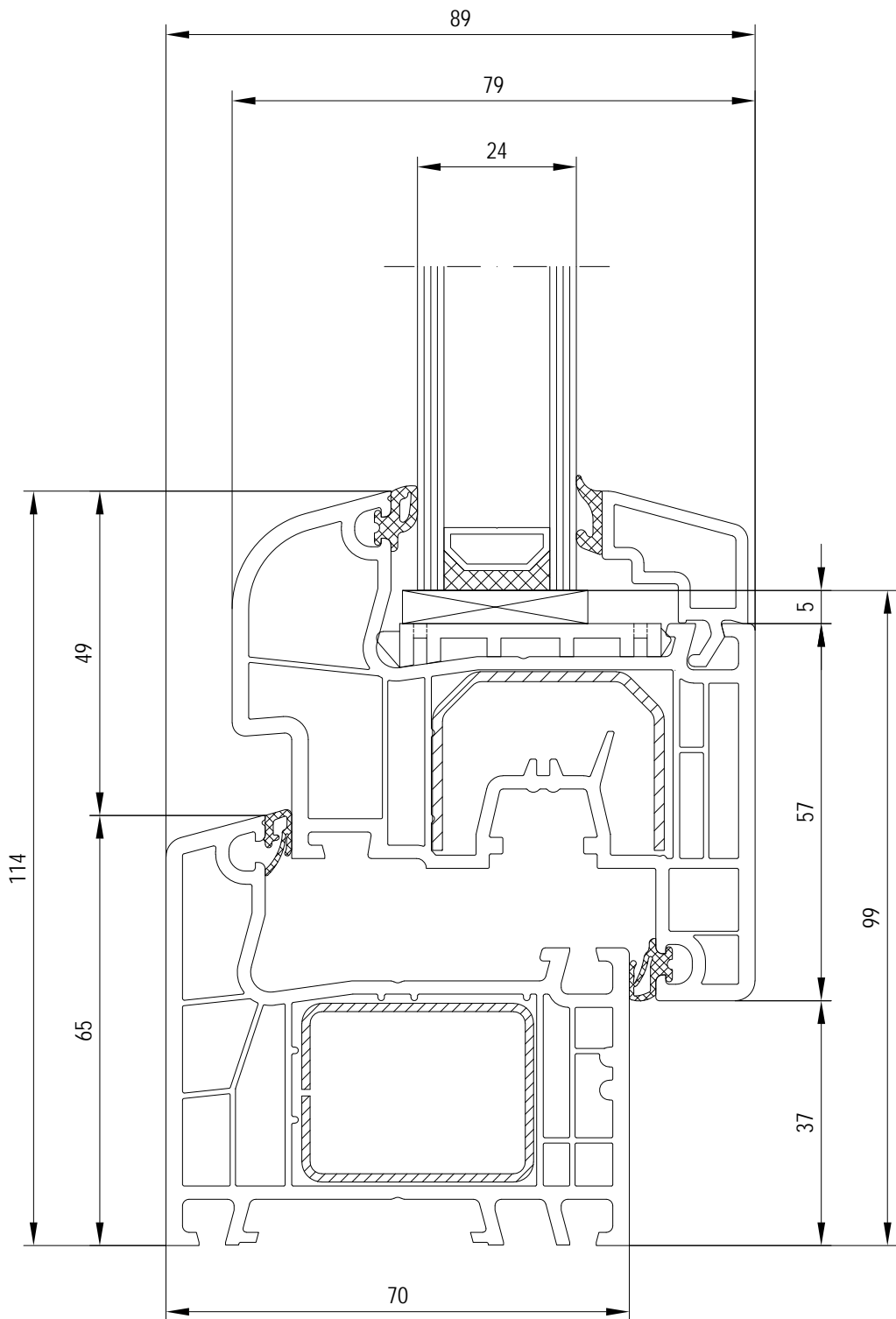
frame profile 70mm: 140x01
 sash profile 70mm: 140x20
 glazing bead: 120836



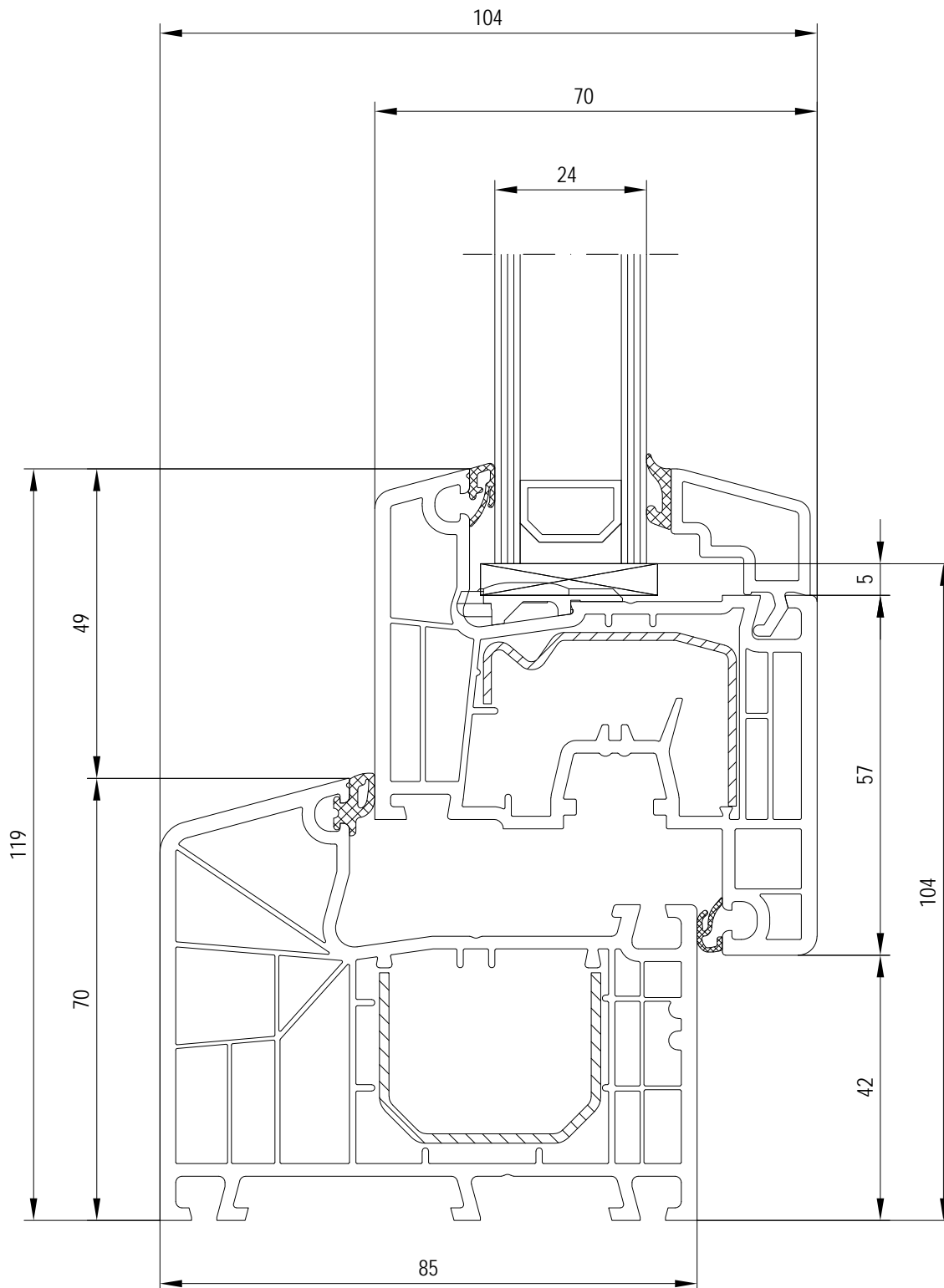
frame profile 70mm: 140x01
 sash profile 78mm: 140x27
 glazing bead: 150631



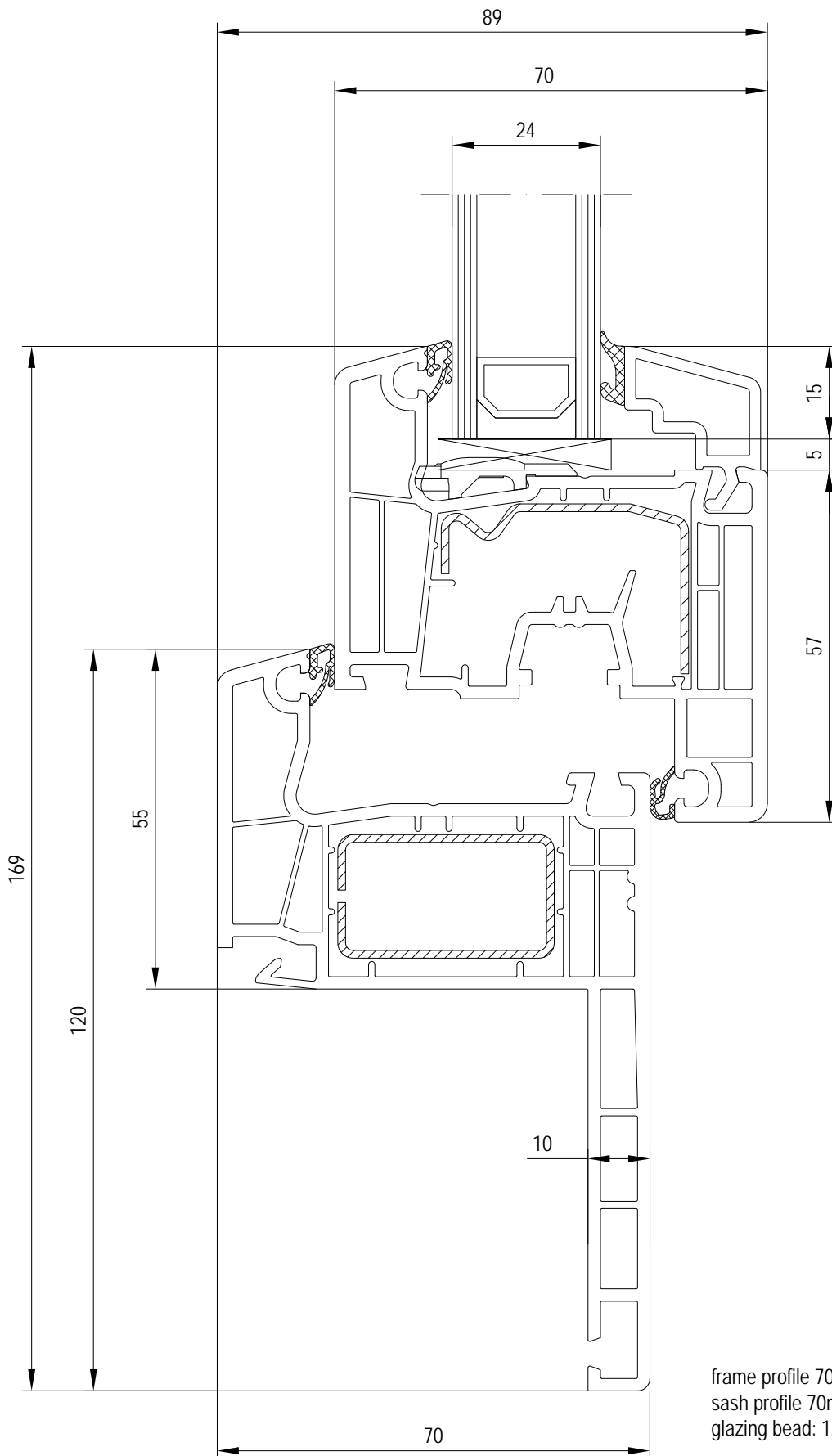
IDEAL 4000
 profile section



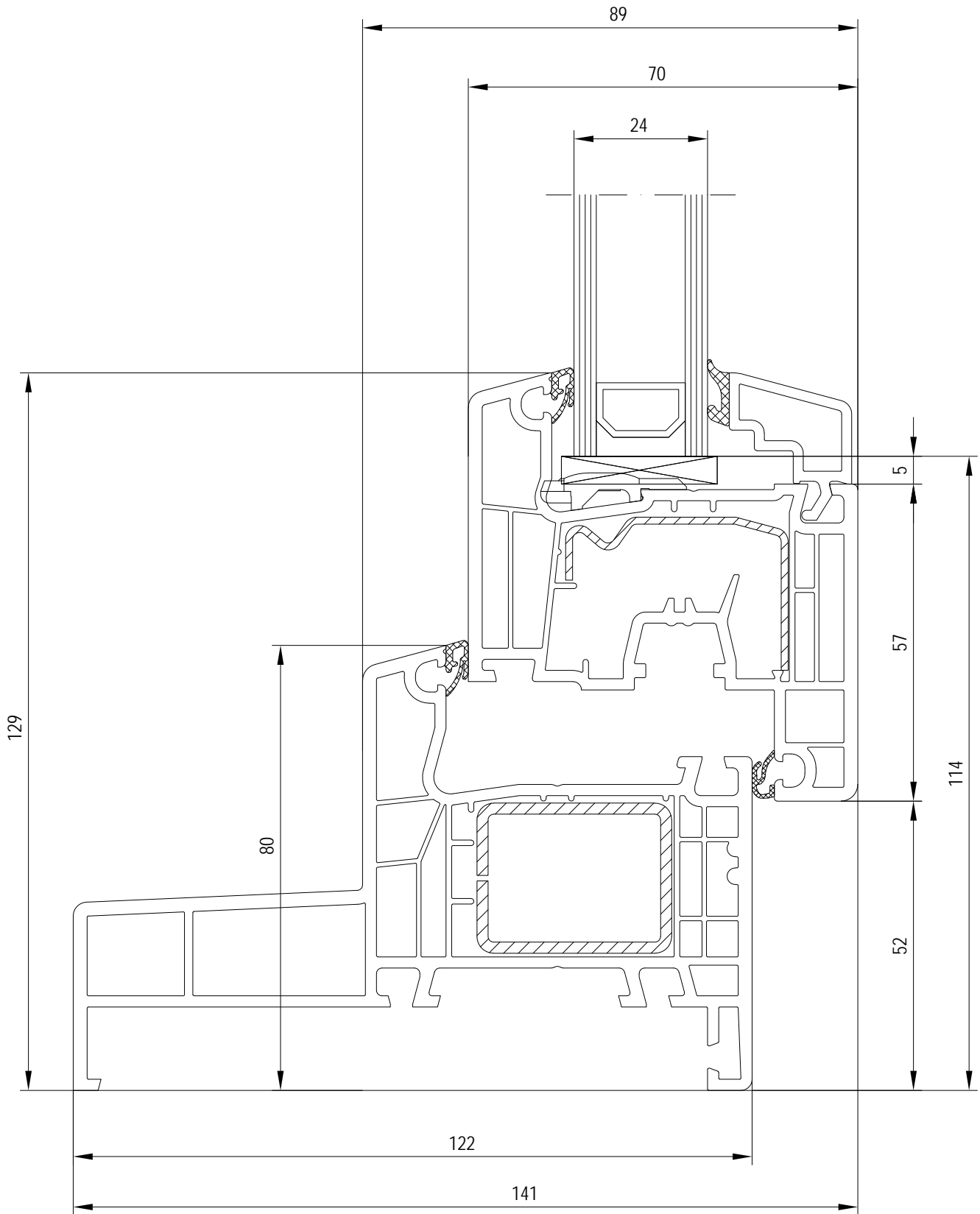
frame profile 70mm: 140x01
 sash profile 79mm: 140x22
 glazing bead: 120836



frame profile 85mm: 140x00
 sash profile 70mm: 140x20
 glazing bead: 120836



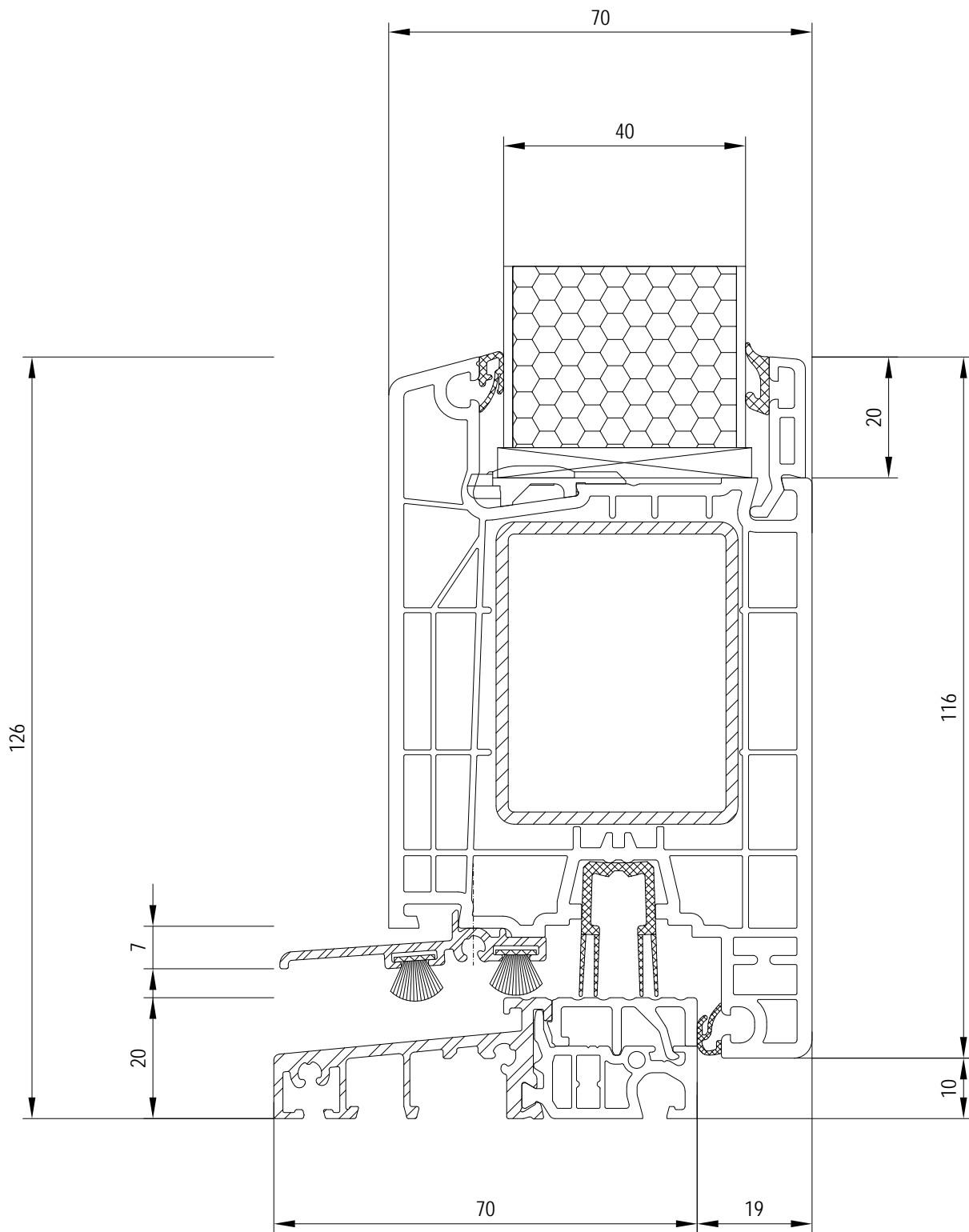
frame profile 70mm: 140x090000011
 sash profile 70mm: 140x20
 glazing bead: 120836



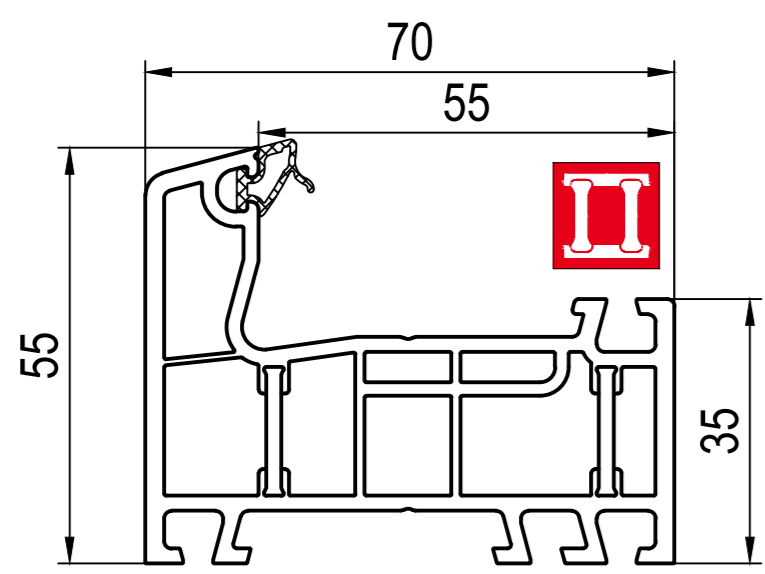
frame profile 122mm: 140x16
 sash profile 70mm: 140x20
 glazing bead: 120836



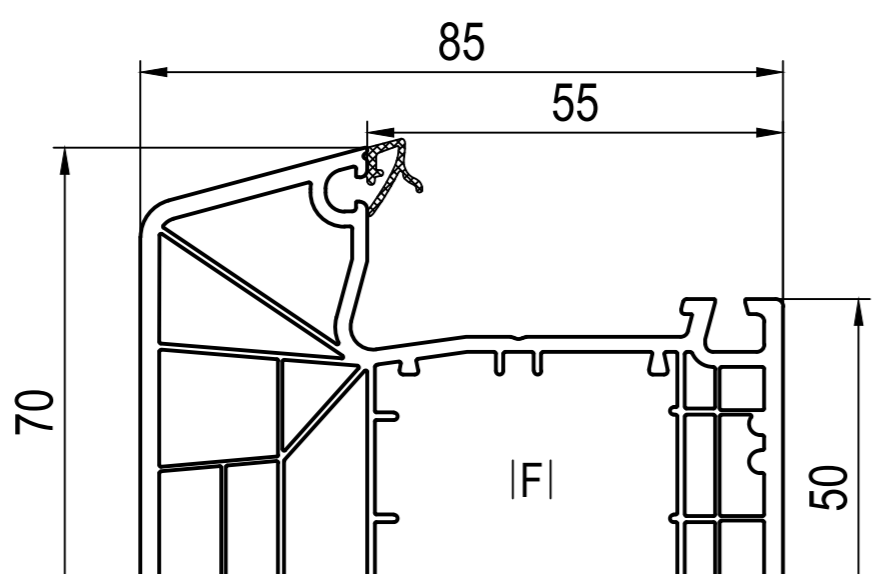
IDEAL 4000
 profile section



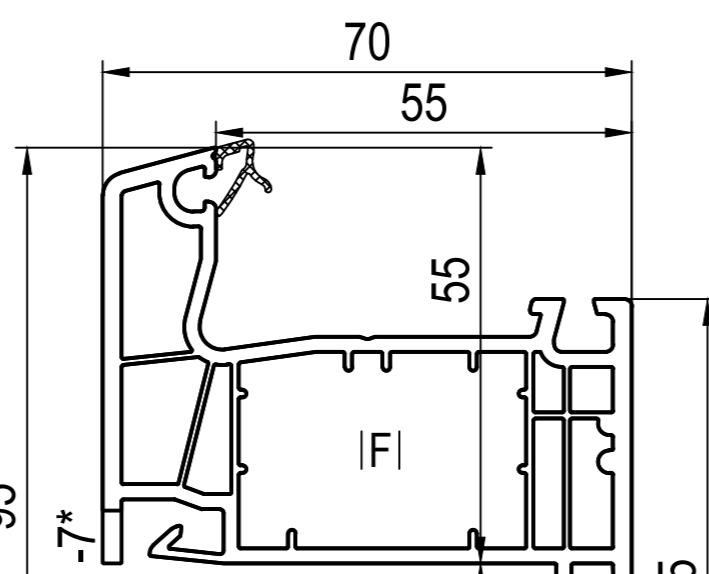
sash profile 70mm: 140x33
 threshold profile 70mm: 247070
 glazing bead: 150831



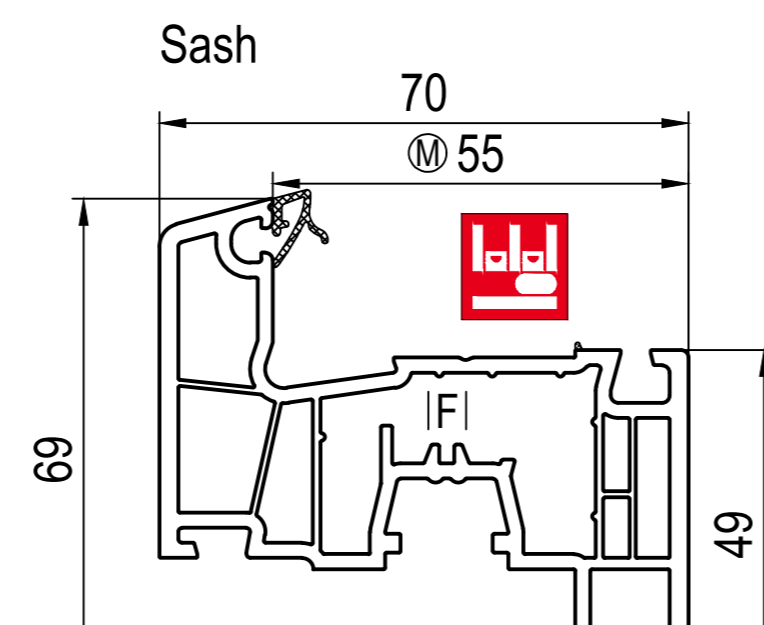
□ 140x02 (CL)
AI 640301, 640320
II 640441
PI 259304
QI 227300, 227303
VI 646370 -> IUI 247070



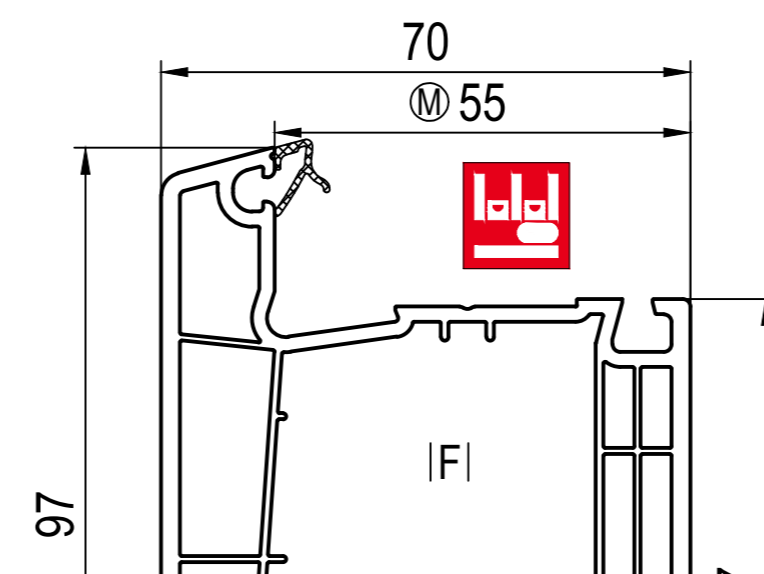
■ 140x00 (CL)
AI 640301, 640320
FI 229023, 229024, 229026, 229029,
229030, 249026
III 640441



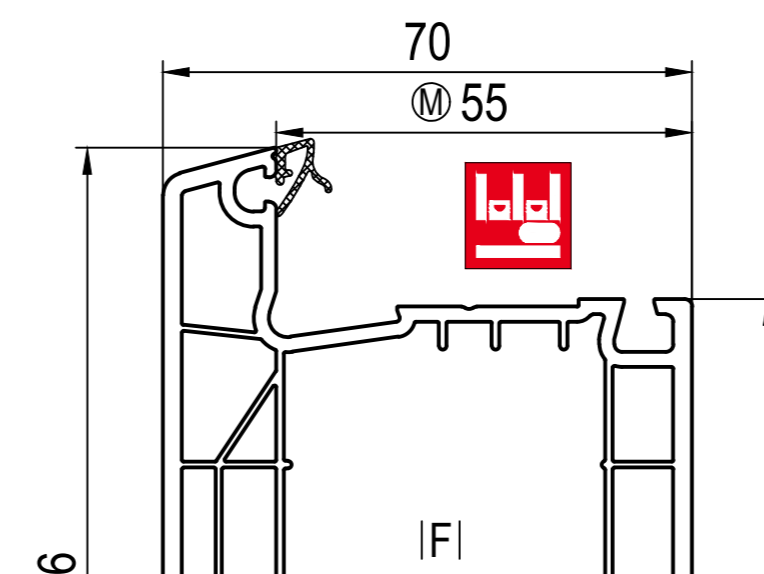
■ 140x15 (CL)
■ 140x17 (CL)
AI 640301, 640320
FI 229098, 229100, 229101, 249004
II 640441
PI 259304
QI 227300, 227303
VI 646370 -> IUI 247070



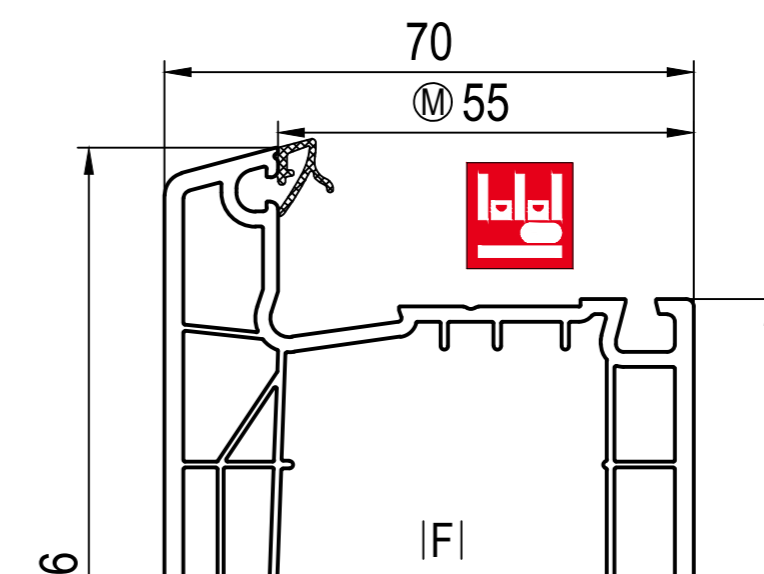
⊗ 140x24 (CL) -> 140x74
AI 655251, 650252, 620250, 650250
FI 249174, 249175, 259024, 259028
II 620440
JI 642261, 642262, 642263, 646265,
646266



⊗ 140x28 (CL) -> 140x78
AI 655251, 650252, 620250, 650250
FI 249028, 249029 * 279029
* EI 640029 IO 640938
II 620440
JI 642261, 642262, 642263, 646265,
646266

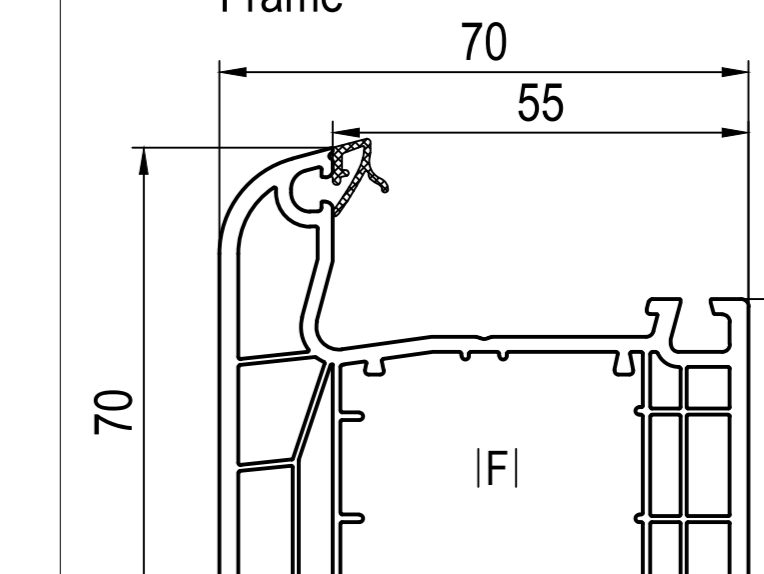


⊗ 140x35 (CL)
AI 655251, 650252, 620250, 650250
FI 229125, 229129 / 229126, 229131
EI 620125 / 620126 IO 640938
II -
JI 642261, 642262, 642263, 646265,
646266
Mullions/Transoms
ID 627107 ~140x4x ...
Transoms

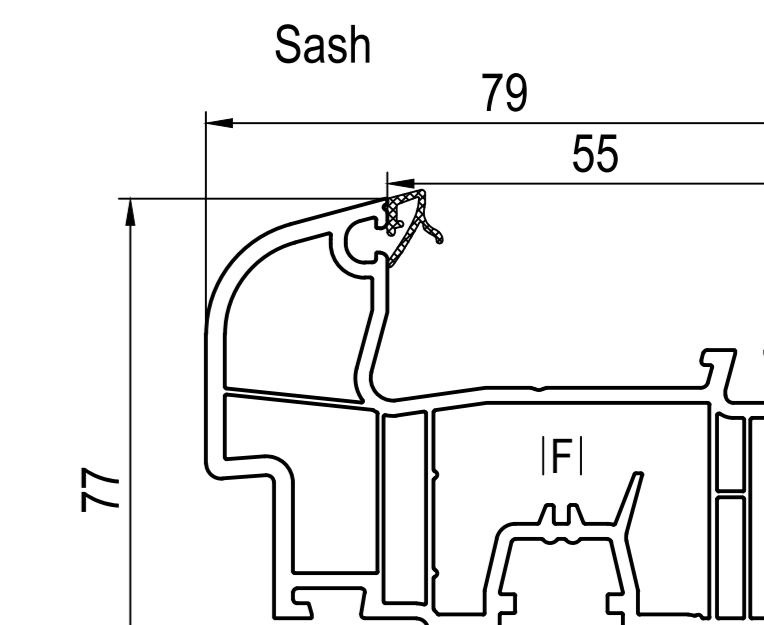


⊗ 140x33 (CL)
AI 655251, 650252, 620250, 650250
FI 229125, 229129 / 229126, 229131
EI 620125 / 620126 IO 640938
II -
JI 642261, 642262, 642263, 646265,
646266
PI 2494330000098

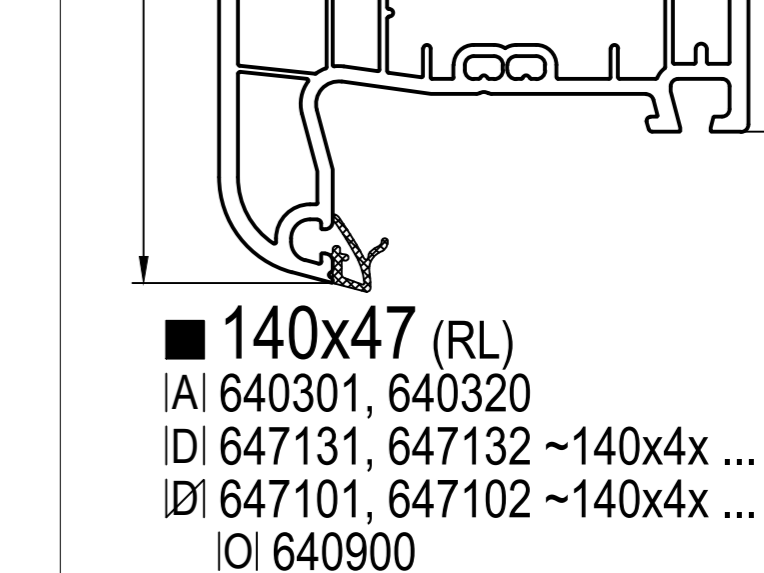
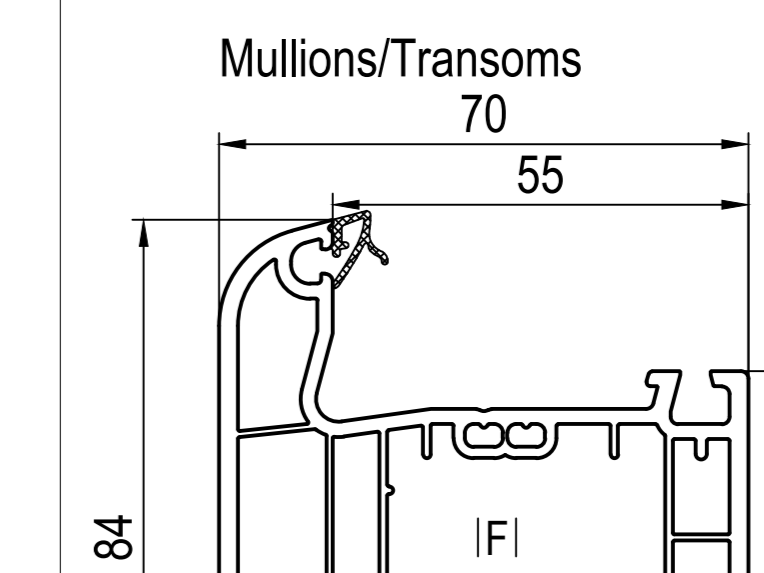
Round-line (RL)
Frame



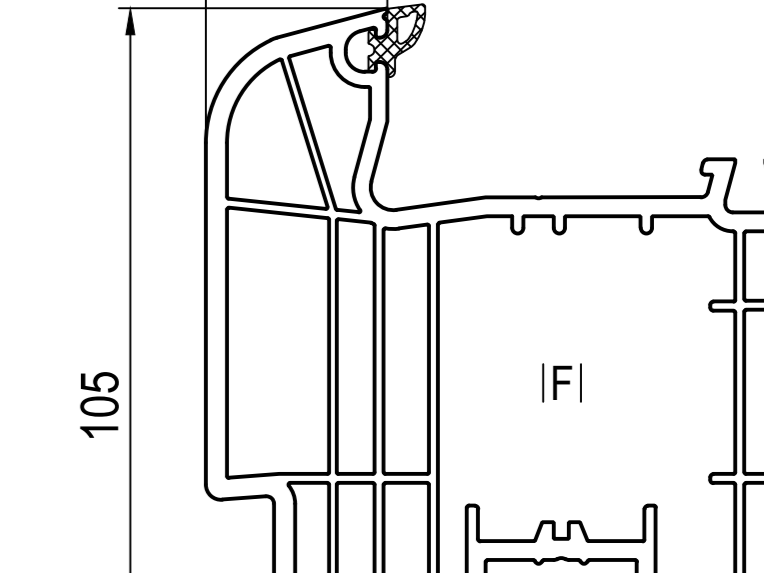
■ 140x08 (RL)
AI 640301, 640320
FI 229023, 229024, 229026, 229029,
229030, 229112, 229113, 229121,
249026
II 640441
IUI 247070, 267070, 277070, 287070
IUI 640048 IO 640970 IXI 446070



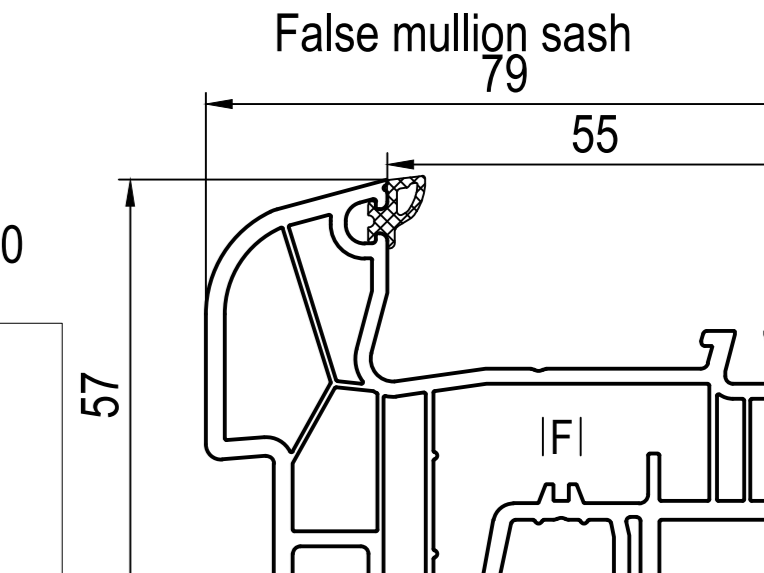
■ 140x22 (RL) -> 140x82
AI 640301, 640320
FI 229023, 229024, 229026,
229027, 229028
II 620440



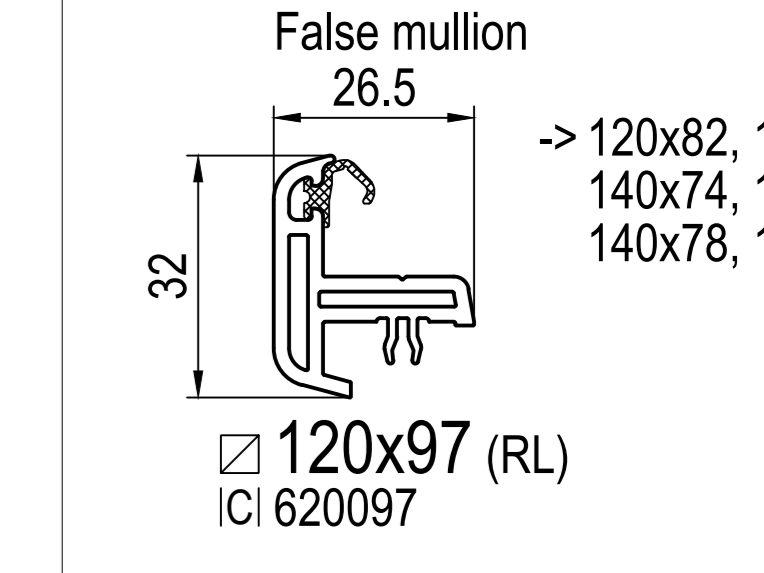
■ 140x47 (RL)
AI 640301, 640320
DI 647131, 647132 ~140x4x ...
DI 647101, 647102 ~140x4x ...
IO 640900
DI 647241 ~ 55
DI 620046 ~ universal
FI 229098, 229100, 229101
II 640441
IUI 247070, 267070, 277070, 287070
IO 640971 IXI 446073



■ 140x34 (RL)
AI 640301, 640320
DI 647131, 647132 ~140x4x ...
* EI 640032 IO 640938
II 620440

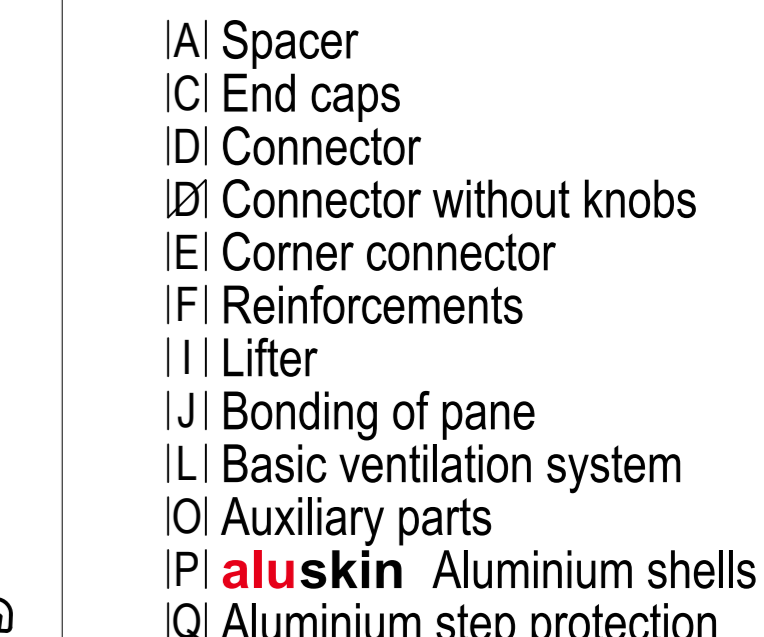


False mullion sash
■ 140x82 (RL) -> 140x22
120x97
AI 640301, 640320
CI 640082
FI 229027, 229028

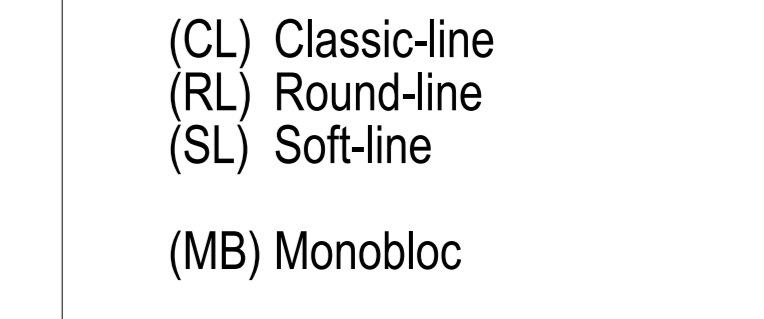


False mullion
□ 120x97 (RL)
CI 620097

■ 140x45 (CL)
AI 640301, 640320
DI 677133 ~140x4x ...
DI 647136, 677103 ~140x4x ...
IO 640901
DI 647245 ~ 55
DI 640046 ~ universal
FI 249034, 249035, 249039
II 640441
PI 249343
IUI 247070, 267070, 277070, 287070
IO 640971 IXI 446072



■ 140x76 (CL) -> 140x20
120x97 (RL)
AI 655251, 650252, 620250, 650250
CI 640082
FI 249017
JI 642261, 642262, 642263, 646265,
646266



□ 140x67 (SL)
CI 640067
FI 259094
PI 249366
IXI 447340, 449340, 447042, 449042

■ 140x65 (CL)
CI 640065
IXI 447340, 449340, 447042, 449042

⊗ 140x78 (CL) -> 140x28
120x97 (RL)
AI 655251, 650252, 620250, 650250
CI 640082
FI 249028, 249029 * 249078
* EI 640029 IO 640938
JI 642261, 642262, 642263, 646265,
646266

■ 140x41 (CL)
AI 640301, 640320
DI 647131, 647132 ~140x4x ...
DI 647101, 647102 ~140x4x ...
IO 640900
DI 647241 ~ 55
DI 620046 ~ universal
FI 229098, 229100, 229101
II 640441
PI 249341
IUI 247070, 267070, 277070, 287070
IO 640971 IXI 446073

□ 120x97 (RL)
CI 620097

-> for
(CL) Classic-line
(RL) Round-line
(SL) Soft-line

(MB) Monobloc
bl black
pw papyrus-white

■ 140x03 (CL)
AI 640301, 640320
FI 229017, 229114, 229115, 229120
II 640441
PI 249313, 259304
QI 227300, 227303
IUI 247070, 267070, 277070, 287070
DI 670047 IO 640970 IXI 446070
VI 646370 -> IUI 247070

■ 140x09 (CL)
■ 140x090000011 (CL)
AI 640301, 640320
FI 229098, 229100, 229101, 249004
II 640441
PI 259304
QI 227300, 227303
VI 646370 -> IUI 247070

■ 140x81 (CL)
AI 640301, 640320
FI 249034, 249035, 249039
II 640441
PI 249314, 259304
QI 227300, 227303
VI 646370 -> IUI 247070

⊗ 140x27 (CL) -> 140x48
AI 685251, 680250, 655251, 650252,
620250, 650250
FI 259020, 259021, 259022, 259026,
269024, 289021
II 620440
JI 642261, 642262, 642263, 646265,
646266

⊗ 140x30 (CL)
AI 655251, 650252, 620250, 650250
FI 229114, 229115 * 259031
* EI 640031 IO 640938
II 620440
JI 642261, 642262, 642263, 646265,
646266
PI 249460

□ 140x37 (CL)
AI 640301, 640320
FI 249037
II 620440

⊗ 140x20 (CL) -> 140x76
AI 655251, 650252, 620250, 650250
FI 249016, 249017, 259020, 259021,
259022, 259026, 289021
II 620440
JI 642261, 642262, 642263, 646265,
646266
PI 249450

■ 140x05 (CL)
AI 640301, 640320
FI 229098, 229100, 229101, 249004
II 640441
PI 259304
QI 227300, 227303
VI 646370 -> IUI 247070

■ 140x07 (CL)
AI 640301, 640320
II 640441
PI 249312, 259304
QI 227300, 227303
IUI 247070, 267070, 277070, 287070
IO 640970 IXI 446070
VI 646370 -> IUI 247070

■ 140x07 (CL)
AI 640301, 640320
FI 249014, 249015, 249016, 259105,
259106, 259107
II 640441
PI 249312, 259304
QI 227300, 227303
IUI 247070, 267070, 277070, 287070
DI 640047 IO 640970 IXI 446070
VI 646370 -> IUI 247070

■ 140x91 (CL)(MB)
AI 640301, 640320
FI 259906
II 640441
PI 259304
QI 227300, 227303

■ 140x12 (CL)(MB) *
I=70mm
■ 140x14 (CL)(MB)
I=102mm
■ 140x16 (CL)(MB)
I=122mm
■ 140x18 (CL)(MB)
I=142mm
■ 140x19 (CL)(MB)
I=162mm

* -> 140x12:
IUI 247070, 267070,
277070, 287070
DI 640048 IO 640970
IXI 446070
VI 646370 -> IUI 247070

■ 140x12 (CL)(MB) *
I=70mm
■ 140x14 (CL)(MB)
I=102mm
■ 140x16 (CL)(MB)
I=122mm
■ 140x18 (CL)(MB)
I=142mm
■ 140x19 (CL)(MB)
I=162mm

■ 140x12 (CL)(MB) *
I=70mm
■ 140x14 (CL)(MB)
I=102mm
■ 140x16 (CL)(MB)
I=122mm
■ 140x18 (CL)(MB)
I=142mm
■ 140x19 (CL)(MB)
I=162mm

■ 140x12 (CL)(MB) *
I=70mm
■ 140x14 (CL)(MB)
I=102mm
■ 140x16 (CL)(MB)
I=122mm
■ 140x18 (CL)(MB)
I=142mm
■ 140x19 (CL)(MB)
I=162mm

■ 140x12 (CL)(MB) *
I=70mm
■ 140x14 (CL)(MB)
I=102mm
■ 140x16 (CL)(MB)
I=122mm
■ 140x18 (CL)(MB)
I=142mm
■ 140x19 (CL)(MB)
I=162mm

■ 140x12 (CL)(MB) *
I=70mm
■ 140x14 (CL)(MB)
I=102mm
■ 140x16 (CL)(MB)
I=122mm
■ 140x18 (CL)(MB)
I=142mm
■ 140x19 (CL)(MB)
I=162mm

■ 140x12 (CL)(MB) *
I=70mm
■ 140x14 (CL)(MB)
I=102mm
■ 140x16 (CL)(MB)
I=122mm
■ 140x18 (CL)(MB)
I=142mm
■ 140x19 (CL)(MB)
I=162mm

■ 140x12 (CL)(MB) *
I=70mm
■ 140x14 (CL)(MB)
I=102mm
■ 140x16 (CL)(MB)
I=122mm
■ 140x18 (CL)(MB)
I=142mm
■ 140x19 (CL)(MB)
I=162mm

■ 140x12 (CL)(MB) *
I=70mm
■ 140x14 (CL)(MB)
I=102mm
■ 140x16 (CL)(MB)
I=122mm
■ 140x18 (CL)(MB)
I=142mm
■ 140x19 (CL)(MB)
I=162mm

■ 140x12 (CL)(MB) *
I=70mm
■ 140x14 (CL)(MB)
I=102mm
■ 140x16 (CL)(MB)
I=122mm
■ 140x18 (CL)(MB)
I=142mm
■ 140x19 (CL)(MB)
I=162mm

■ 140x12 (CL)(MB) *
I=70mm
■ 140x14 (CL)(MB)
I=102mm
■ 140x16 (CL)(MB)
I=122mm
■ 140x18 (CL)(MB)
I=142mm
■ 140x19 (CL)(MB)
I=162mm

■ 140x12 (CL)(MB) *
I=70mm
■ 140x14 (CL)(MB)
I=102mm
■ 140x16 (CL)(MB)
I=122mm
■ 140x18 (CL)(MB)
I=142mm
■ 140x19 (CL)(MB)
I=162mm

■ 140x12 (CL)(MB) *
I=70mm
■ 140x14 (CL)(MB)
I=102mm
■ 140x16 (CL)(MB)
I=122mm
■ 140x18 (CL)(MB)
I=142mm
■ 140x19 (CL)(MB)
I=162mm

■ 140x12 (CL)(MB) *
I=70mm
■ 140x14 (CL)(MB)
I=102mm
■ 140x16 (CL)(MB)
I=122mm
■ 140x18 (CL)(MB)
I=142mm
■ 140x19 (CL)(MB)
I=162mm

■ 140x12 (CL)(MB) *
I=70mm
■ 140x14 (CL)(MB)
I=102mm
■ 140x16 (CL)(MB)
I=122mm
■ 140x18 (CL)(MB)
I=142mm
■ 140x19 (CL)(MB)
I=162mm

■ 140x12 (CL)(MB) *
I=70mm
■ 140x14 (CL)(MB)
I=102mm
■ 140x16 (CL)(MB)
I=122mm
■ 140x18 (CL)(MB)
I=142mm
■ 140x19 (CL)(MB)
I=162mm

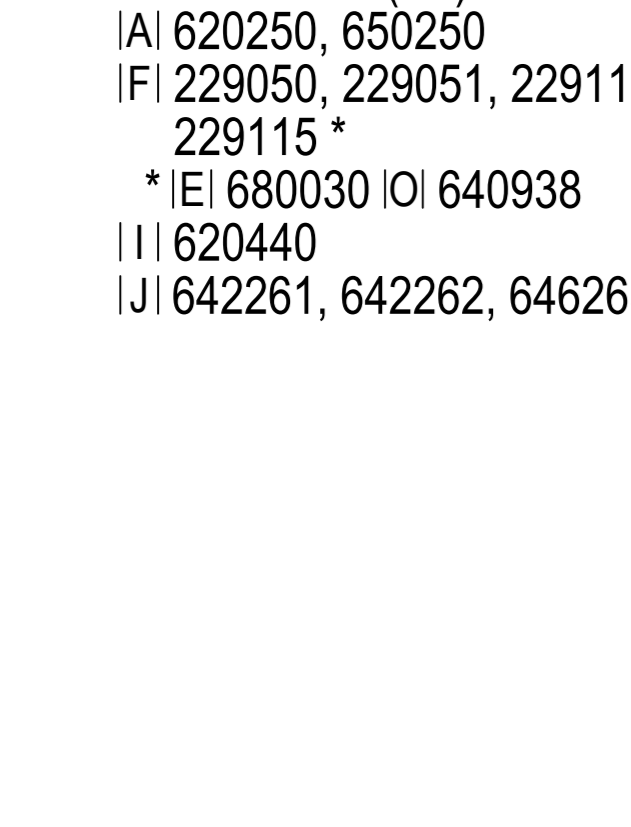
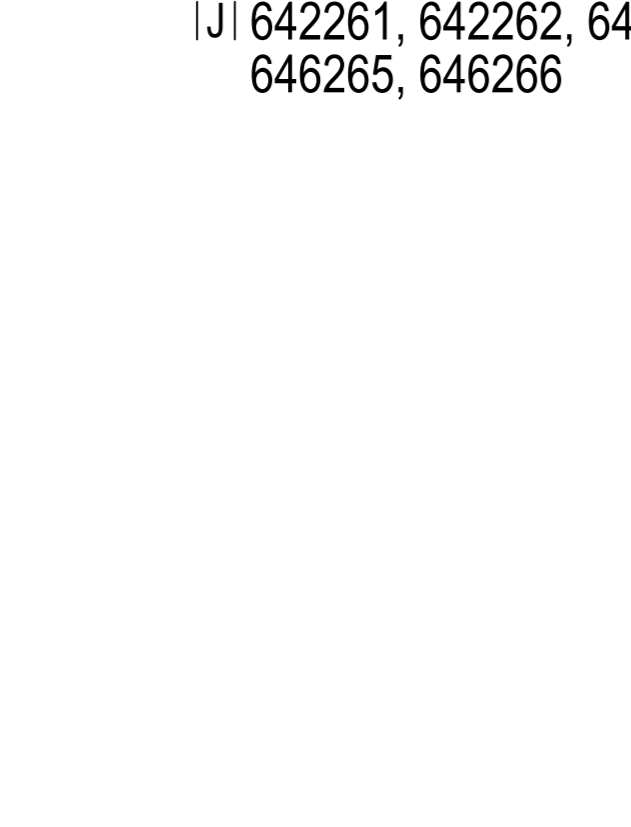
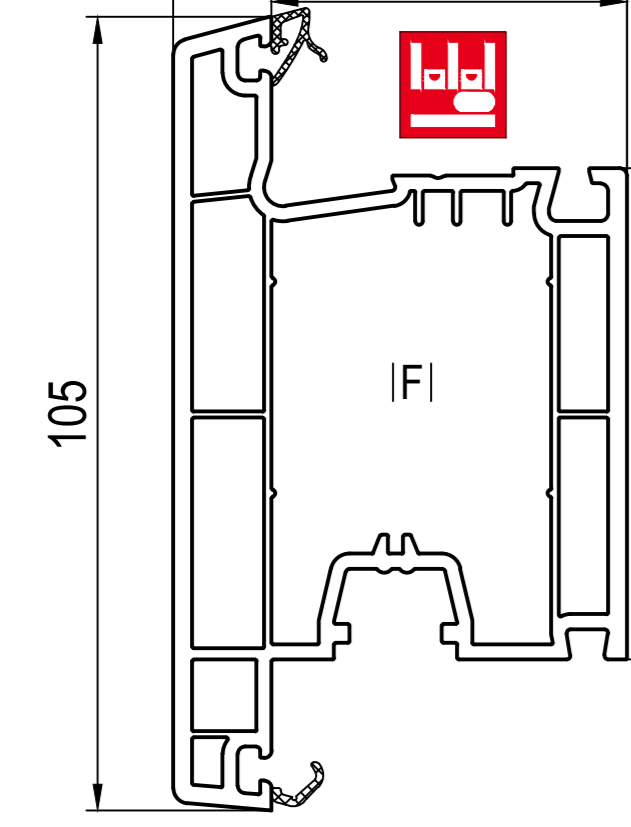
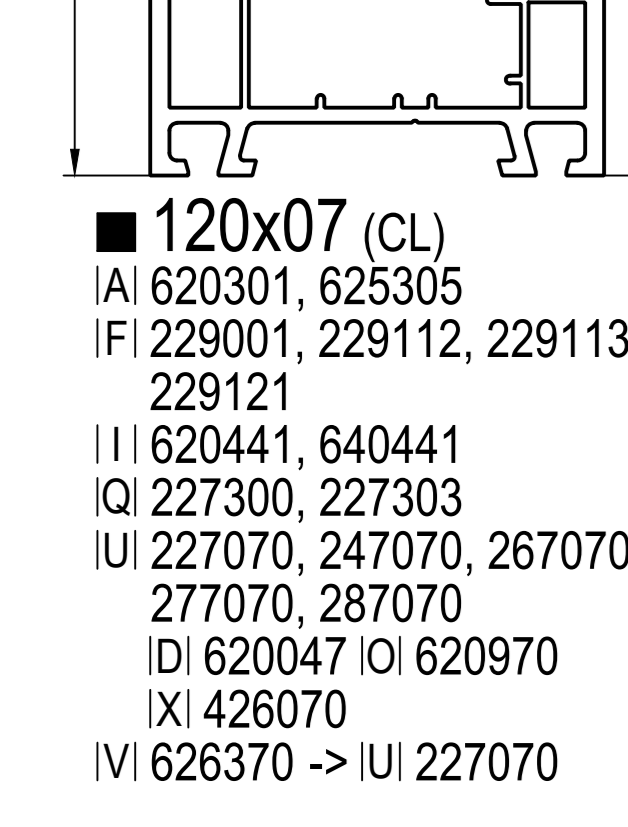
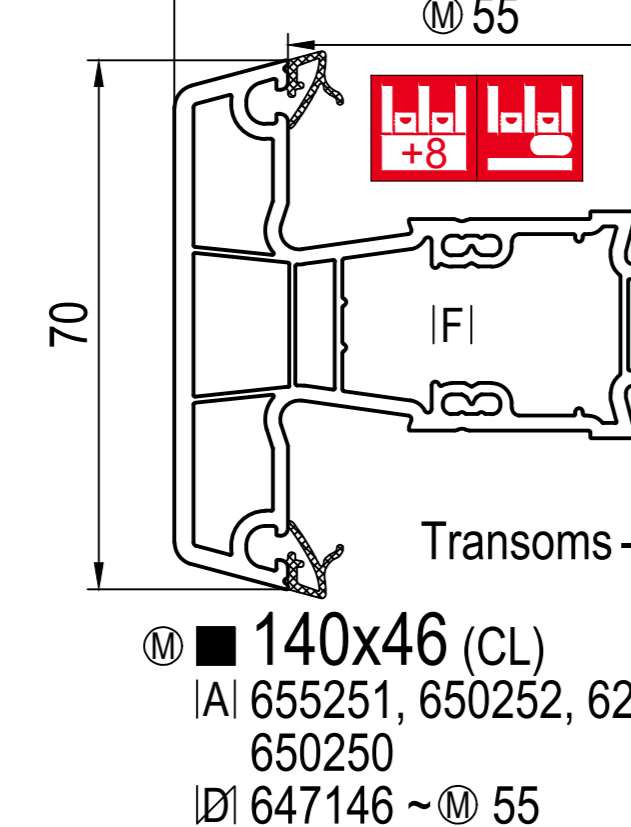
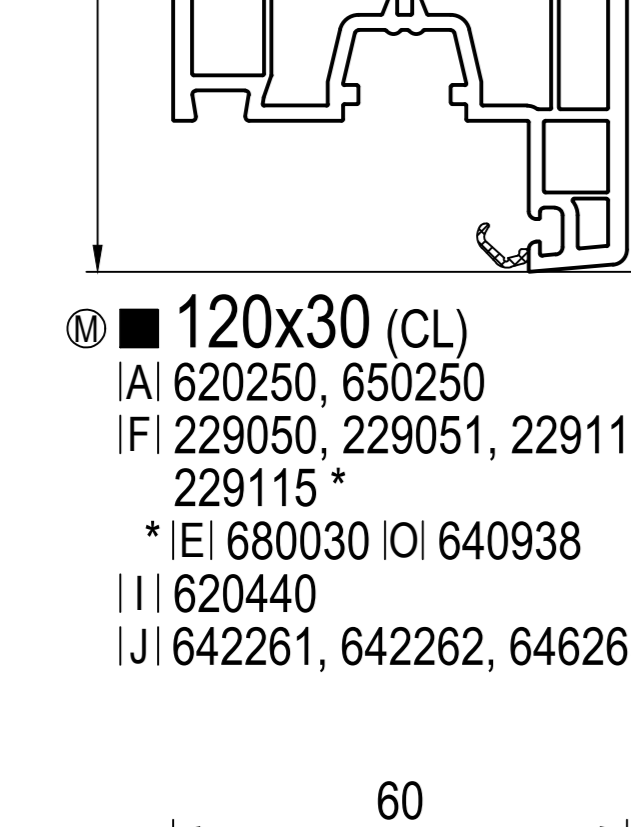
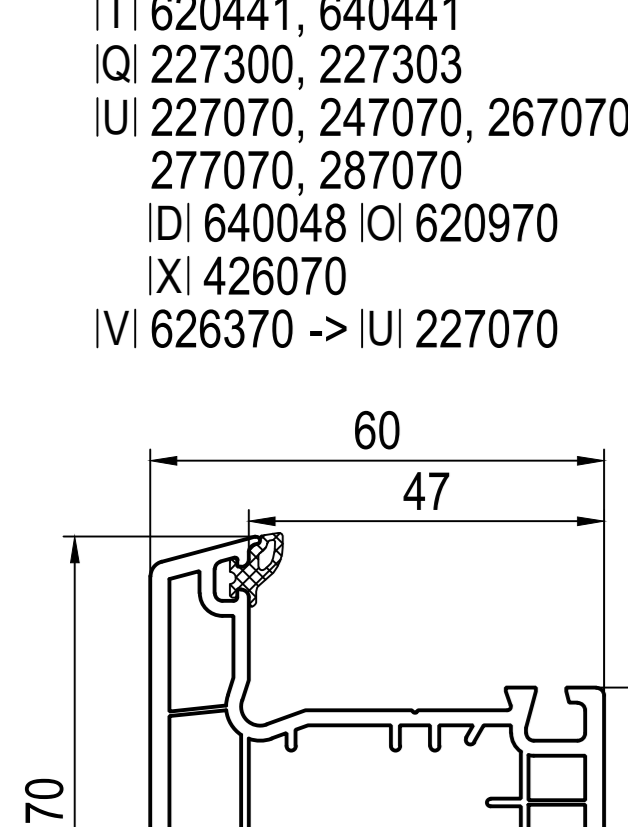
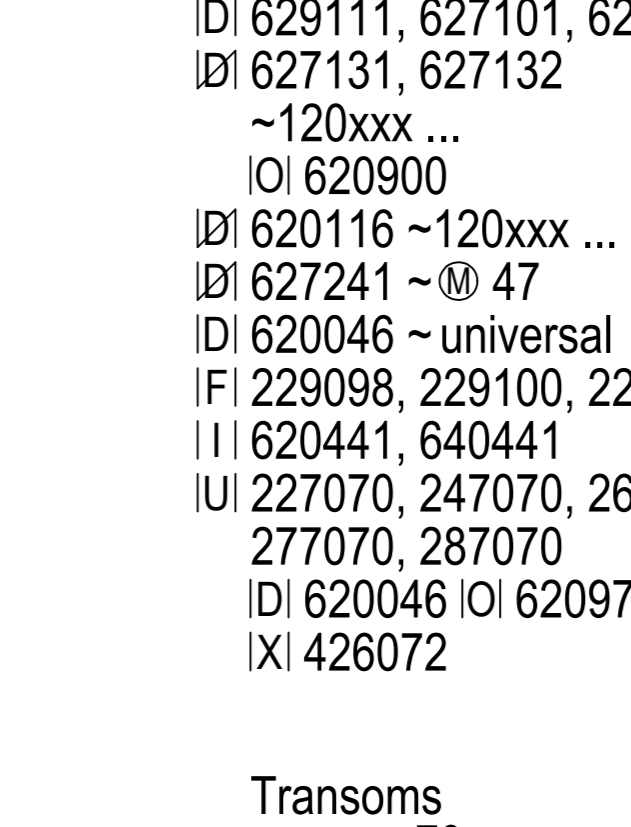
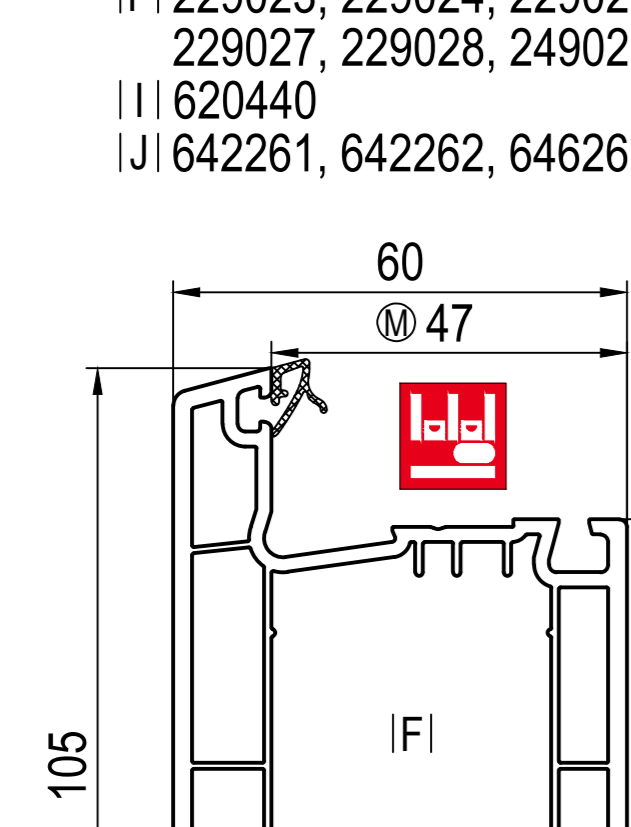
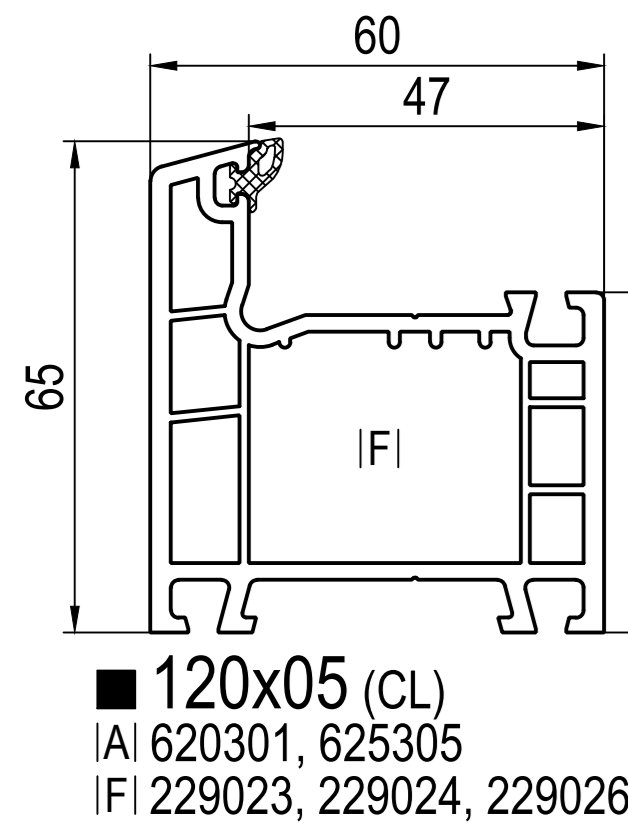
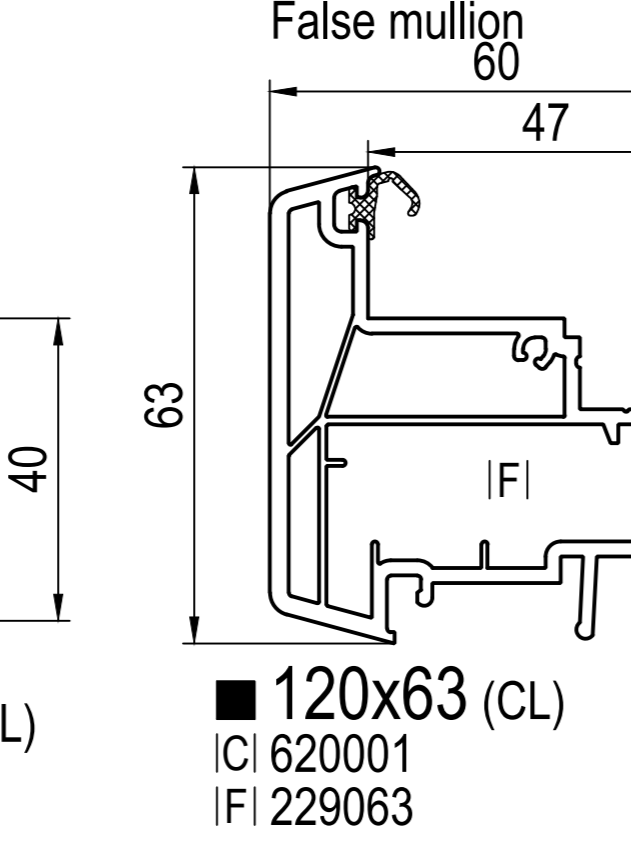
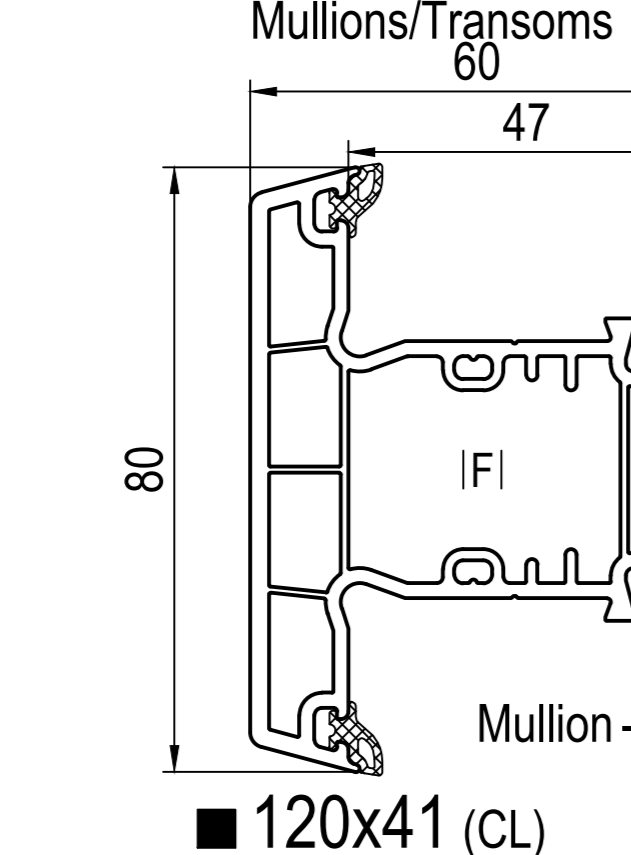
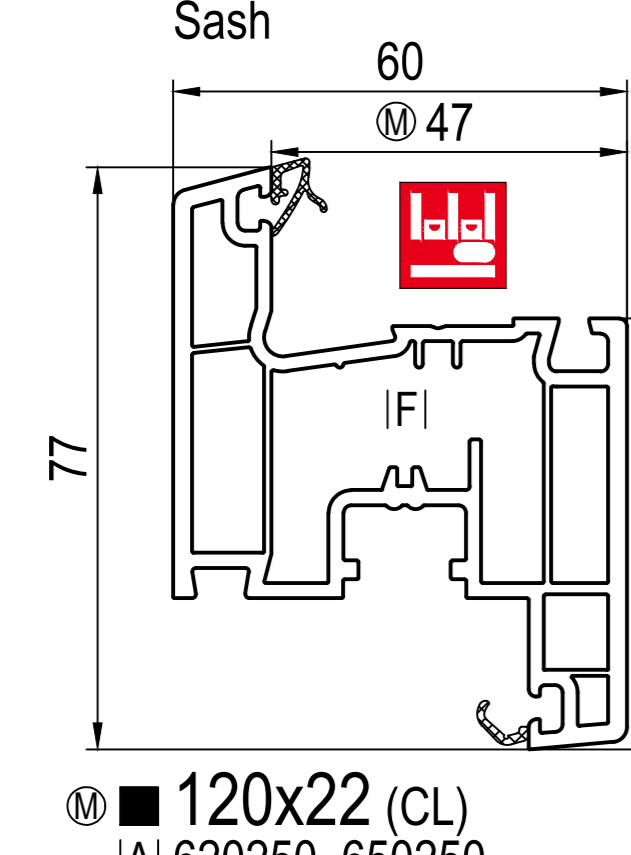
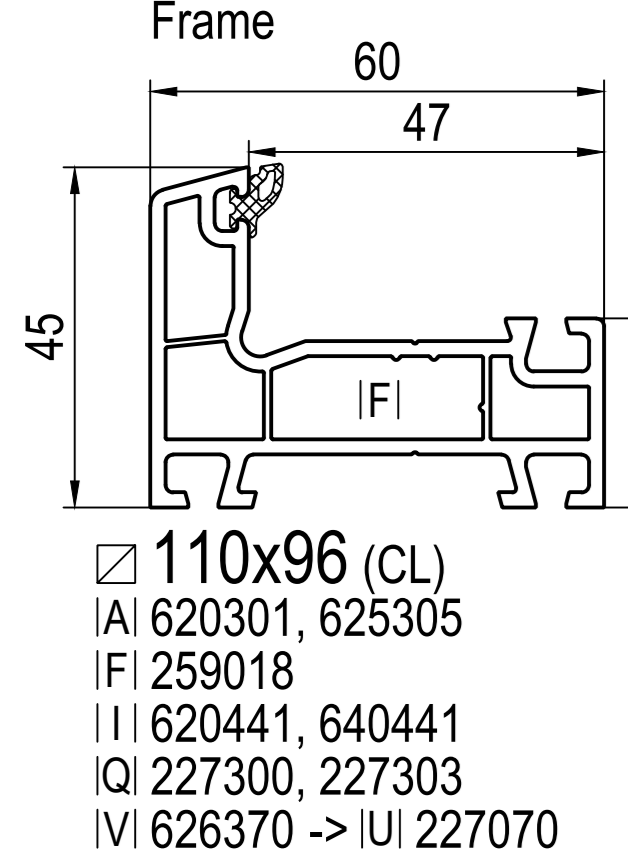
■ 140x12 (CL)(MB) *
I=70mm
■ 140x14 (CL)(MB)
I=102mm
■ 140x16 (CL)(MB)
I=122mm
■ 140x18 (CL)(MB)
I=142mm
■ 140x19 (CL)(MB)
I=162mm

■ 140x12 (CL)(MB) *
I=70mm
■ 140x14 (CL)(MB)
I=102mm
■ 140x16 (CL)(MB)
I=122mm
■ 140x18 (CL)(MB)
I=142mm
■ 140x19 (CL)(MB)
I=162mm

■ 140x12 (CL)(MB) *
I=70mm
■ 140x14 (CL)(MB)
I=102mm
■ 140x16 (CL)(MB)
I=122mm
■ 140x18 (CL)(MB)
I=142mm
■ 140x19 (CL)(MB)
I=162mm

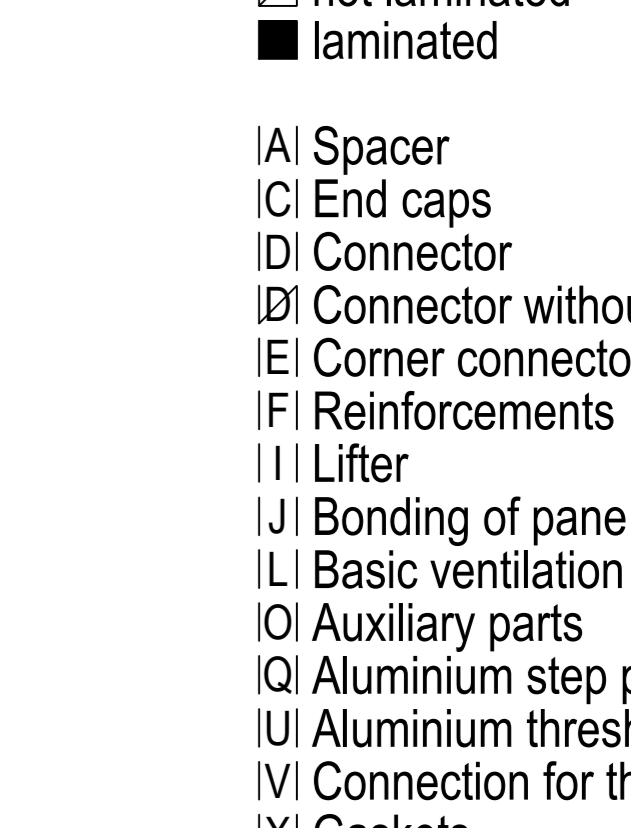
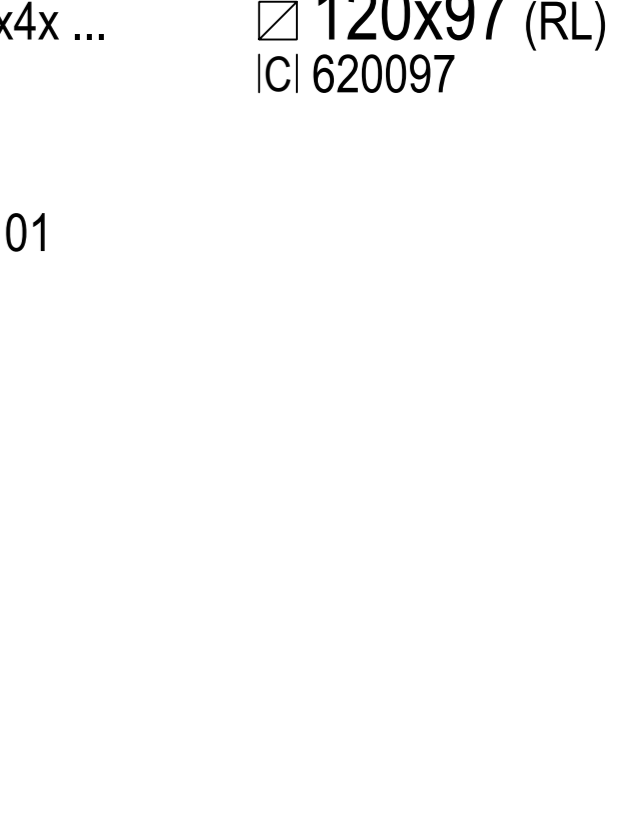
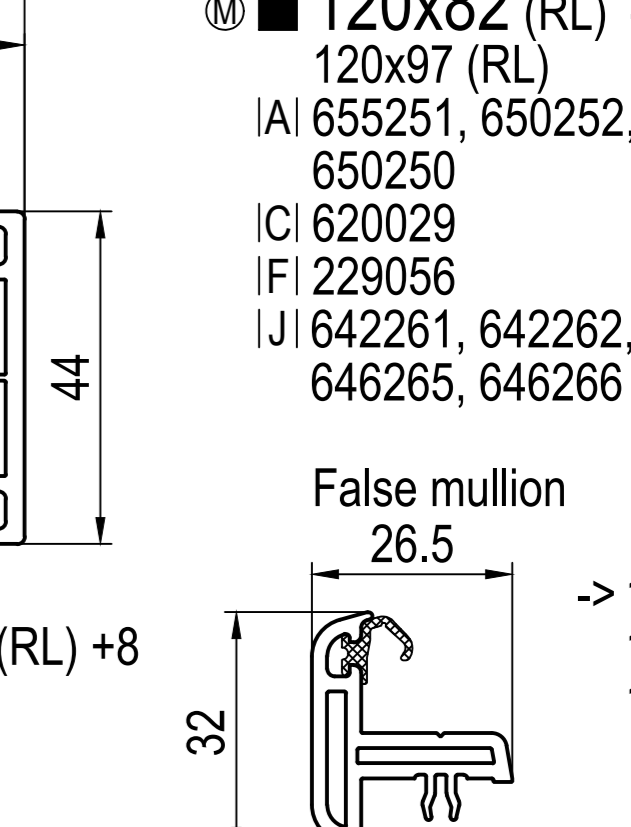
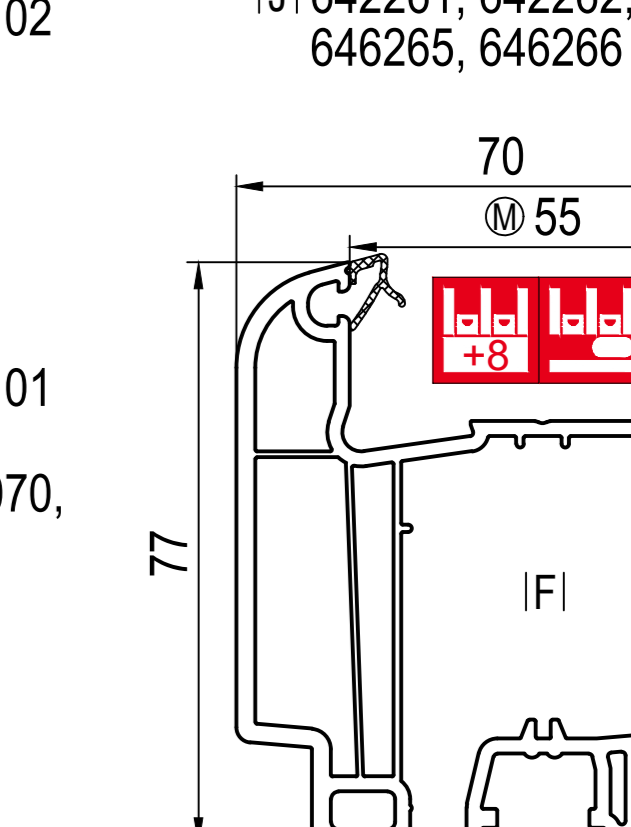
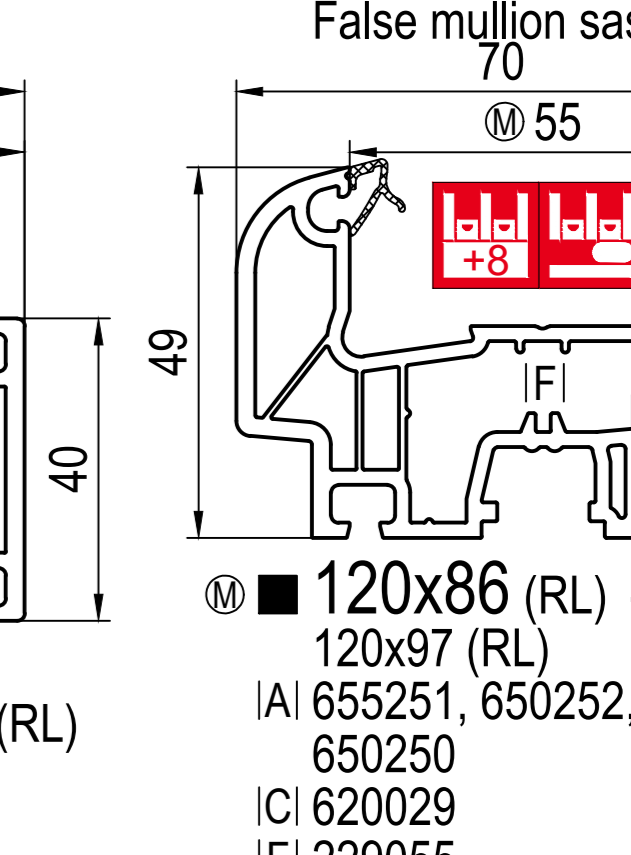
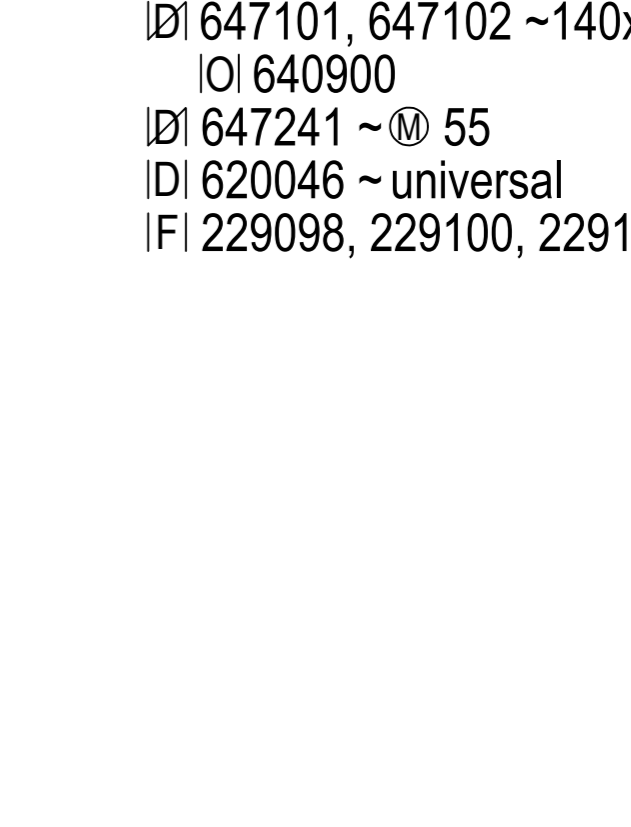
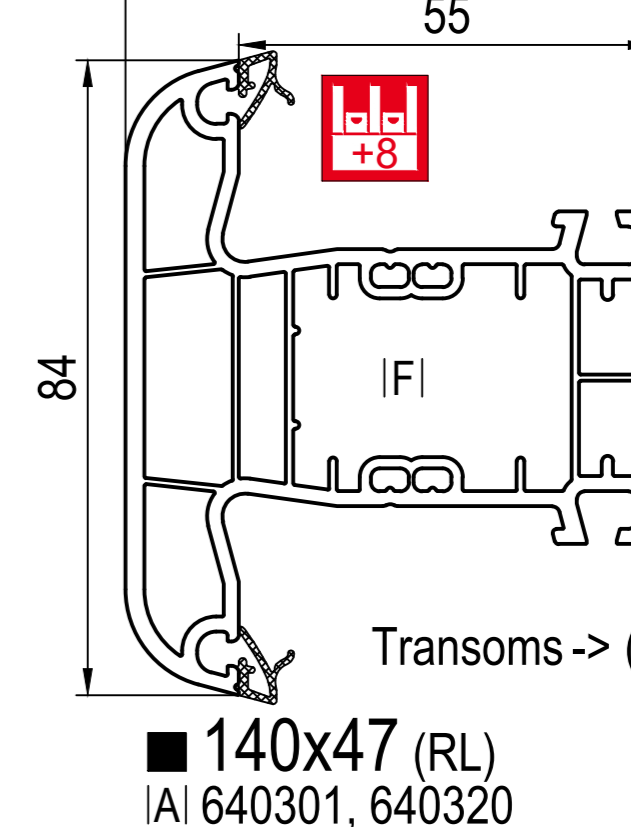
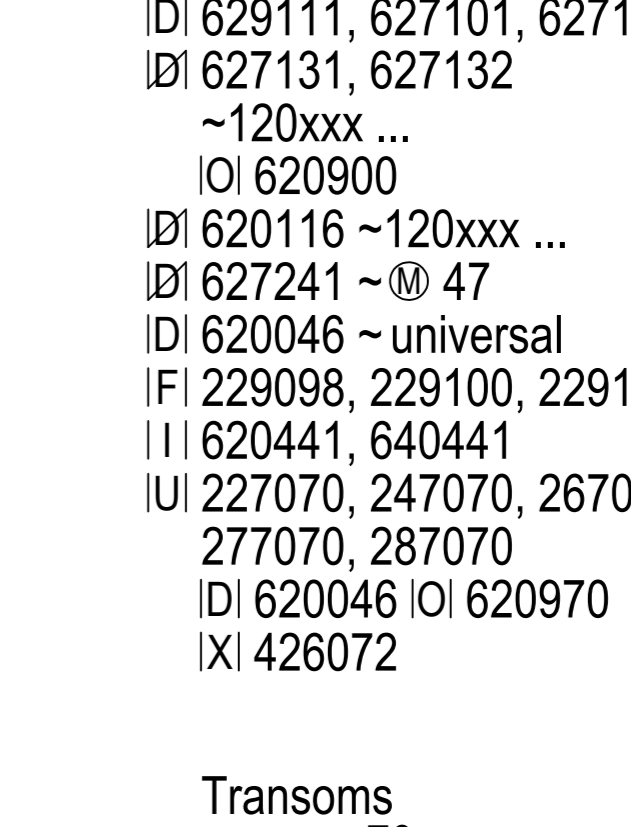
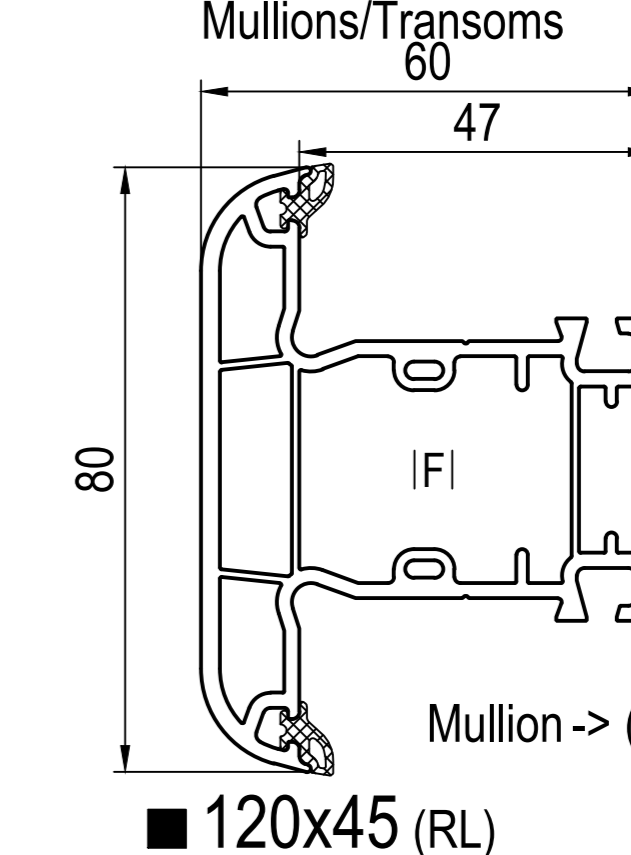
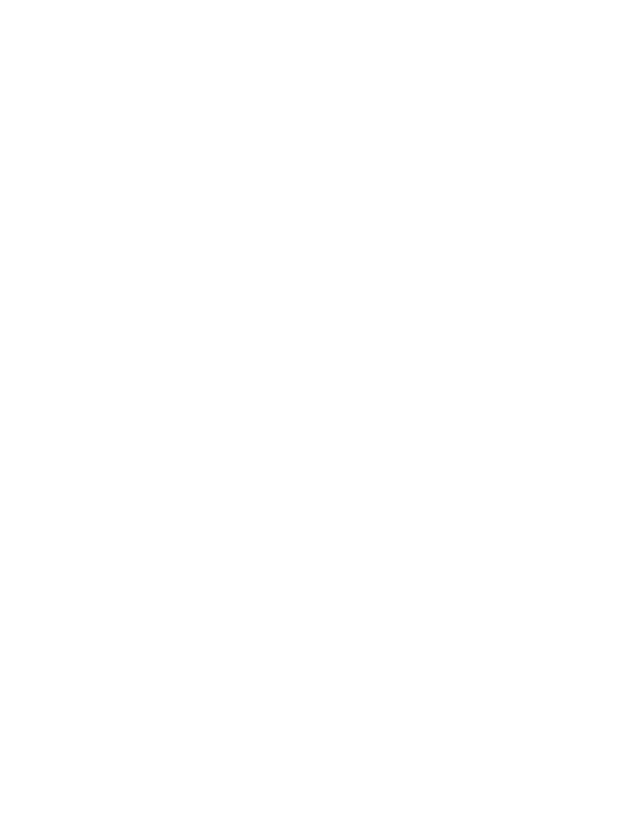
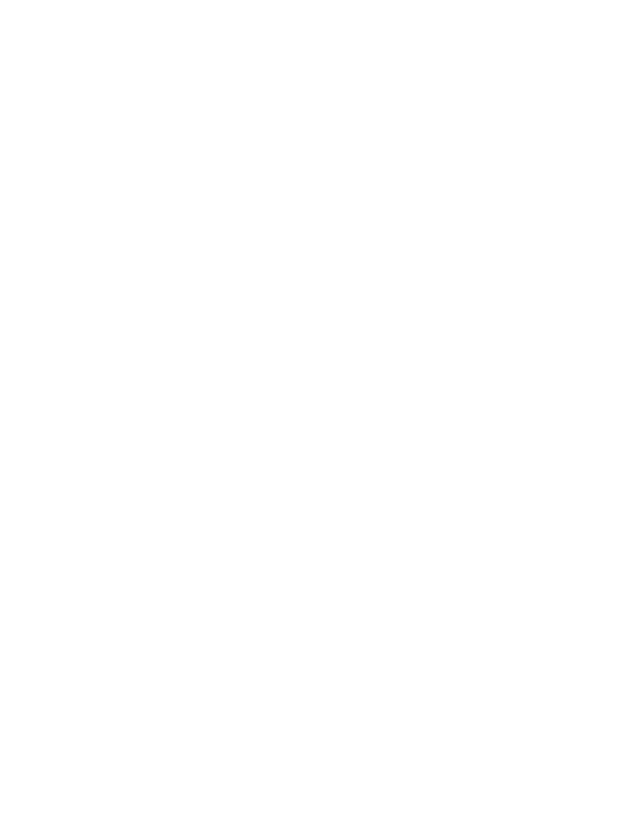
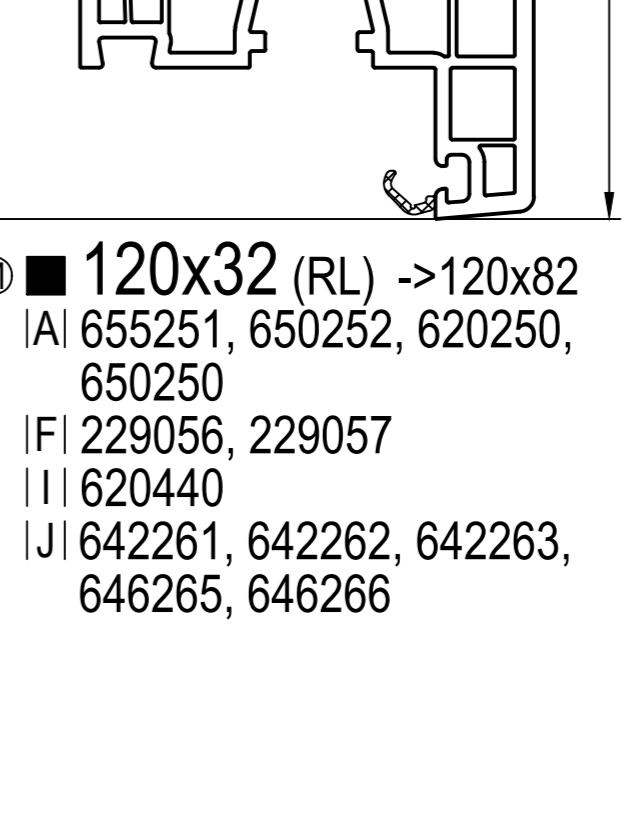
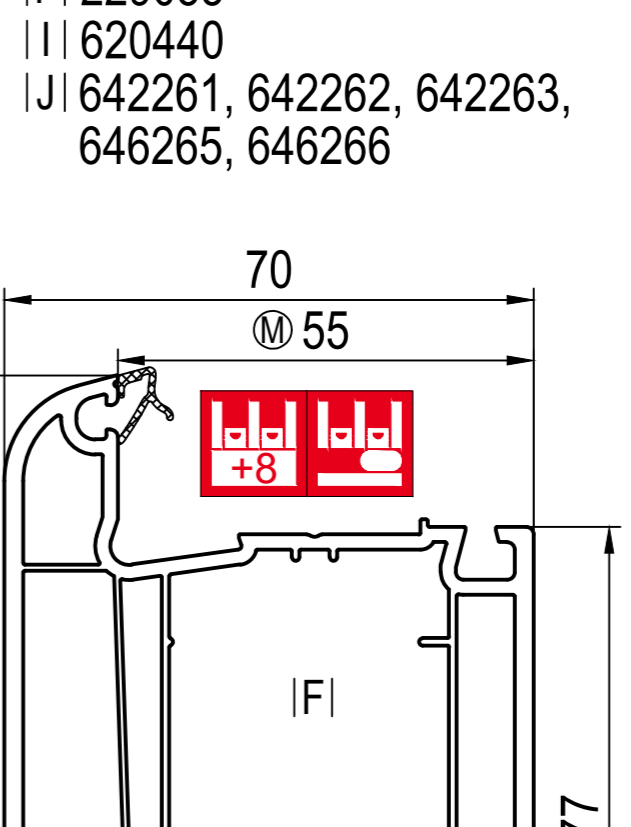
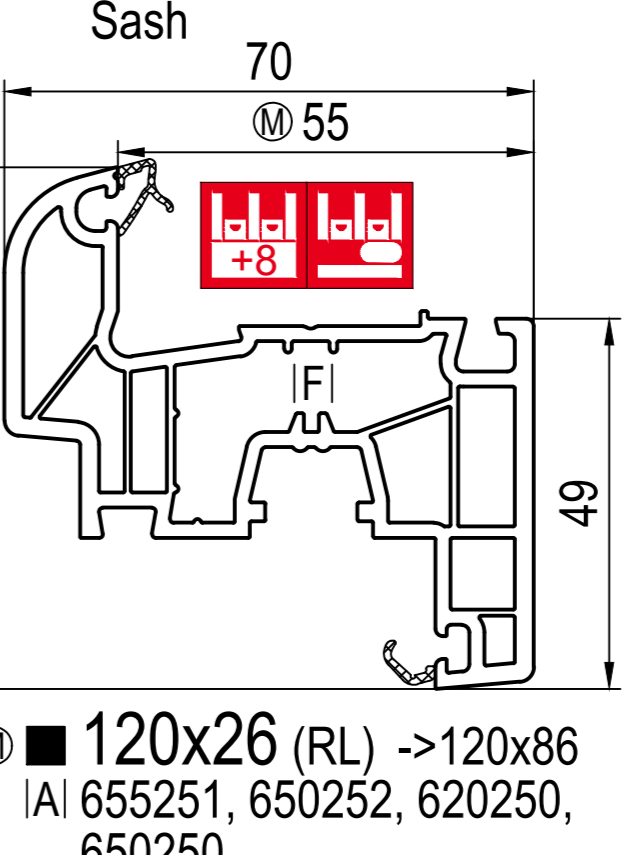
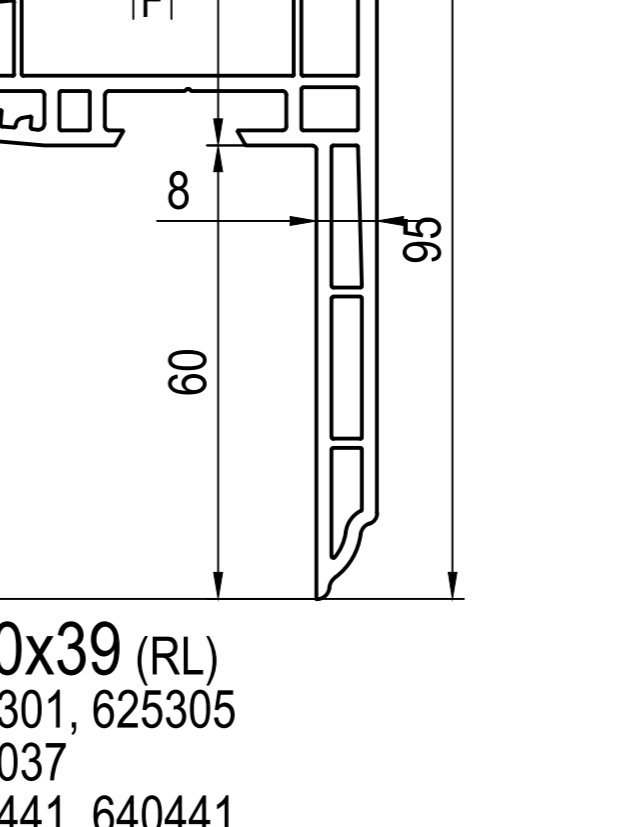
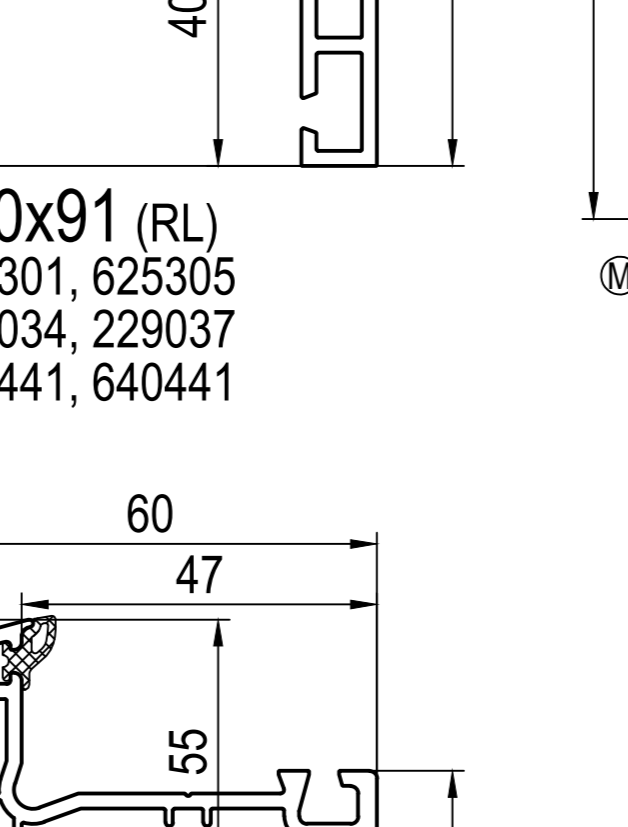
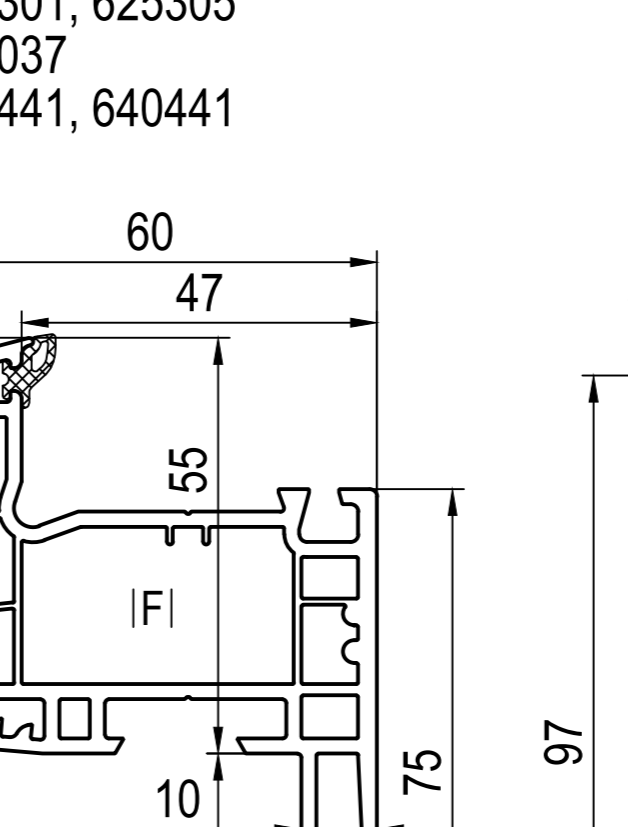
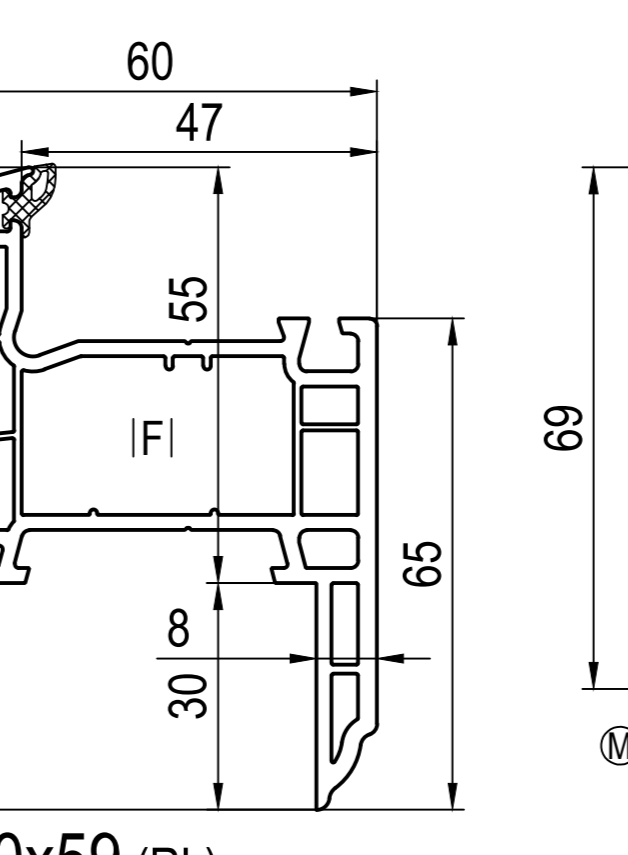
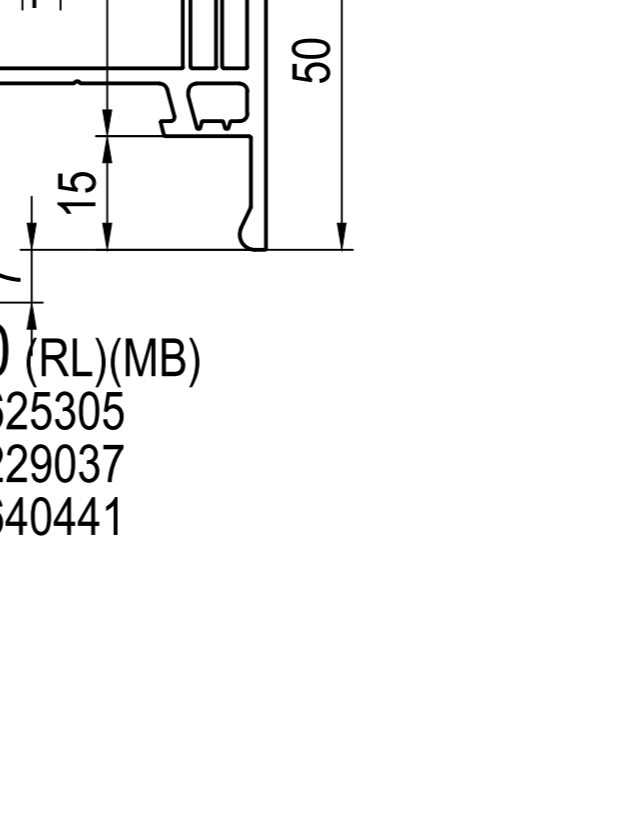
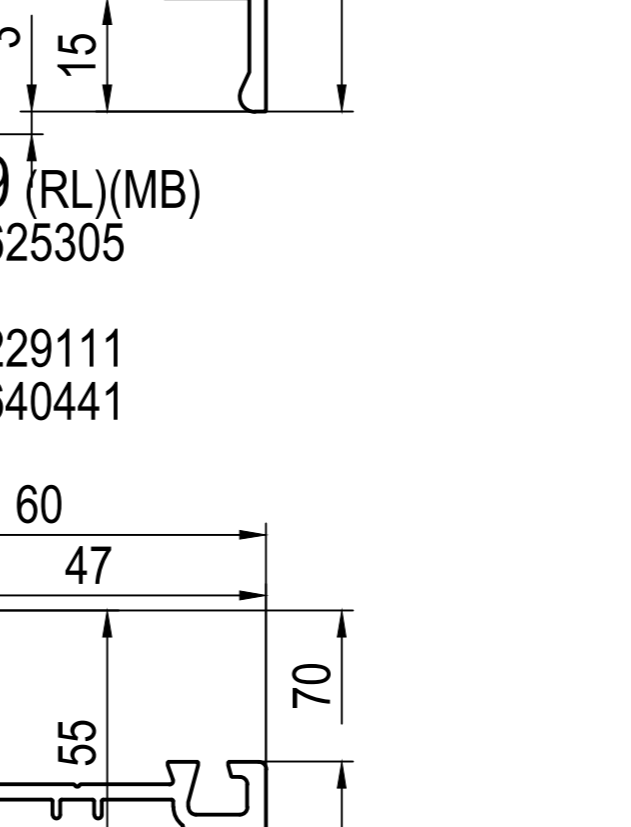
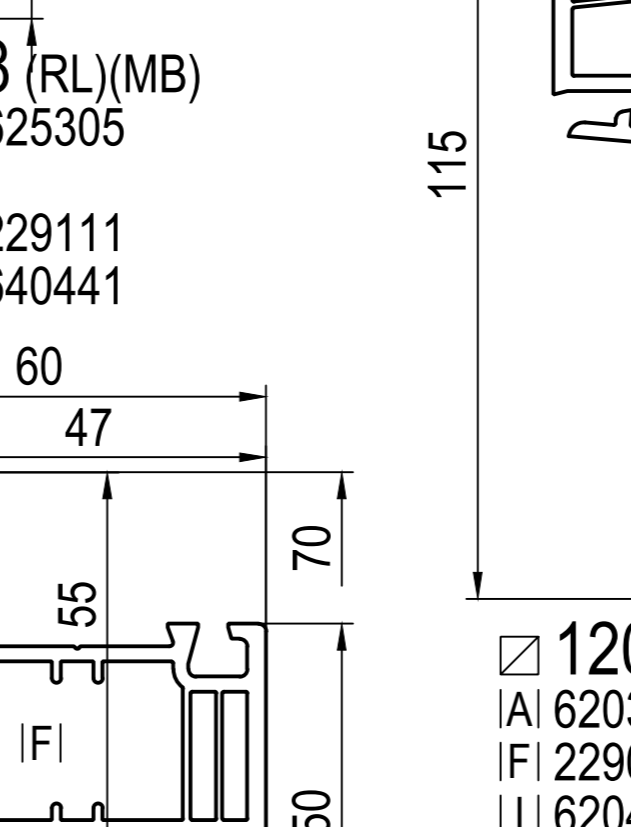
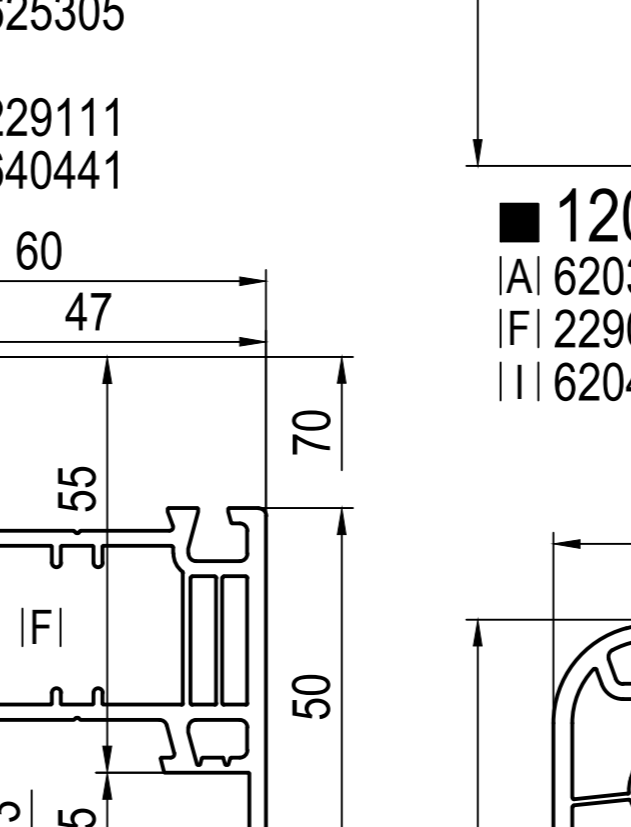
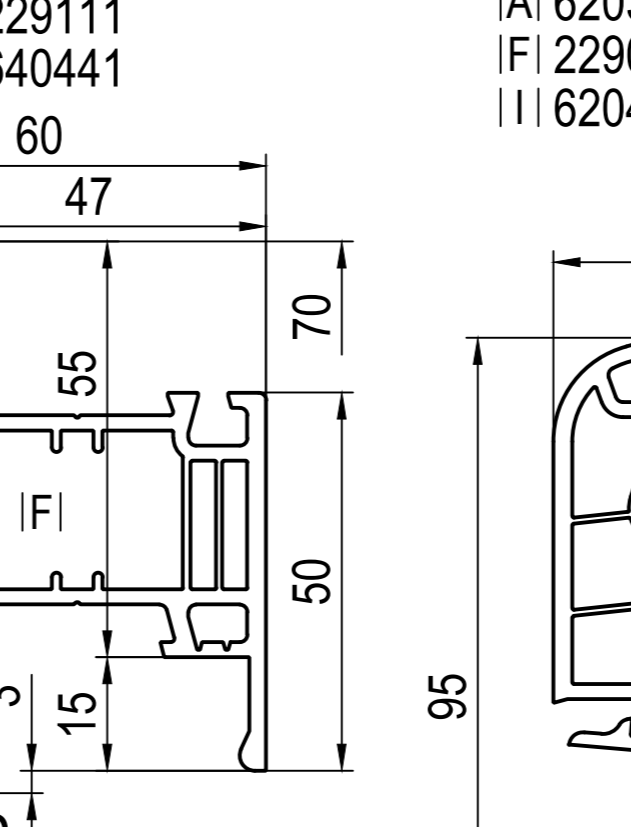
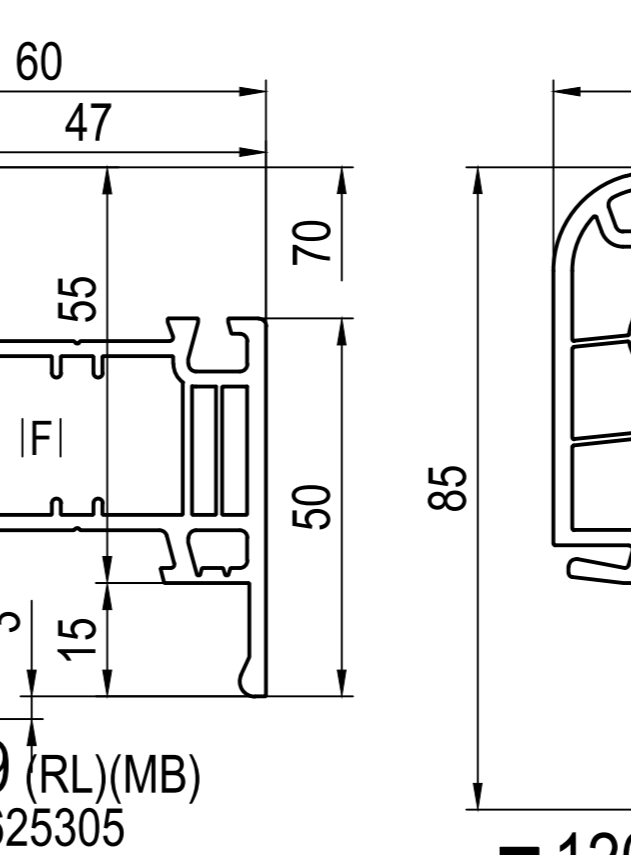
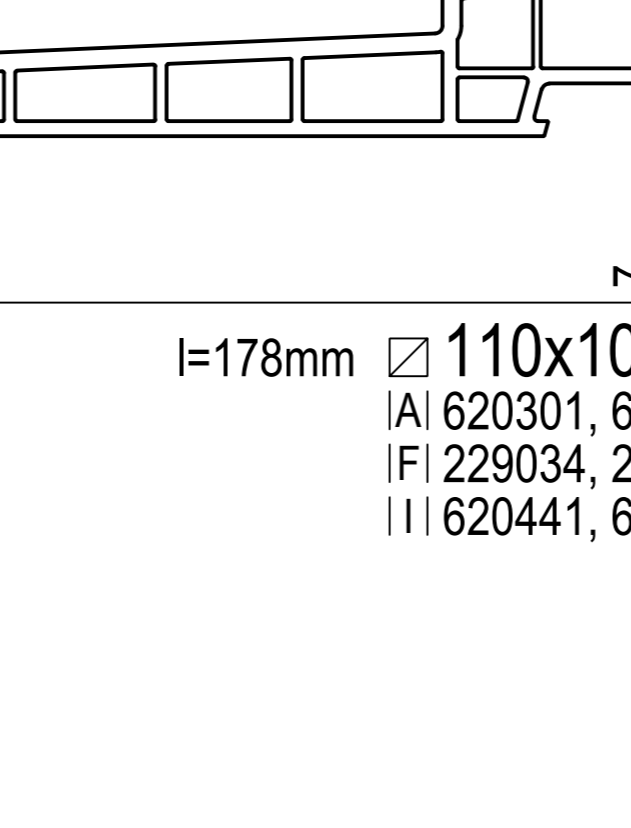
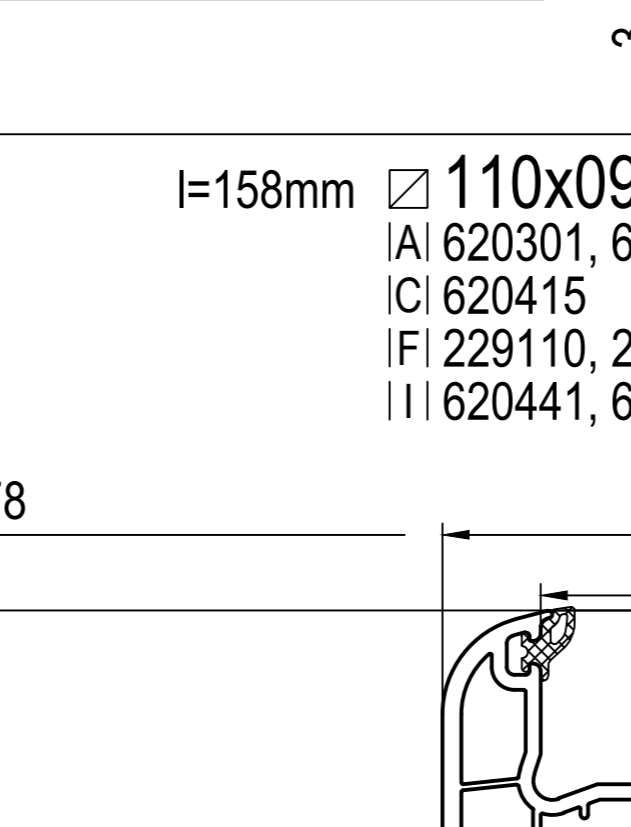
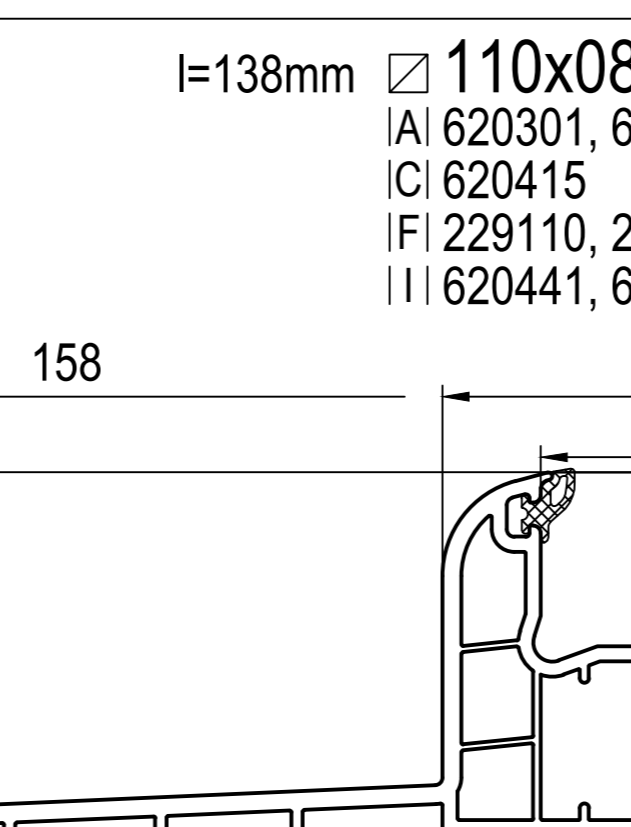
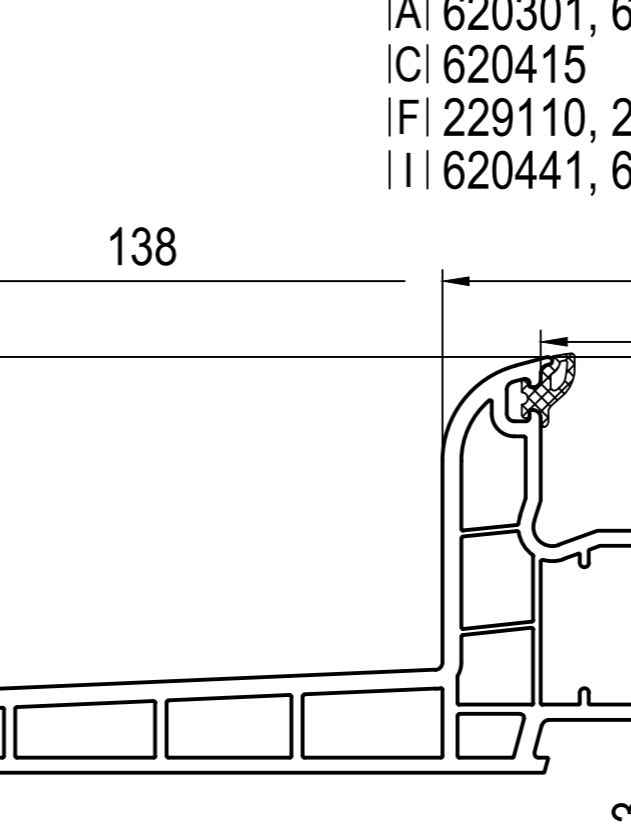
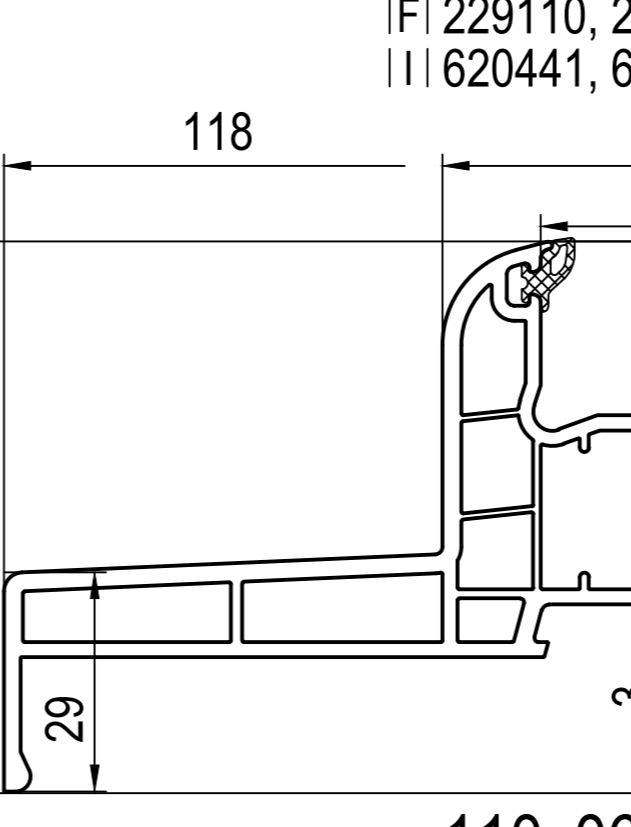
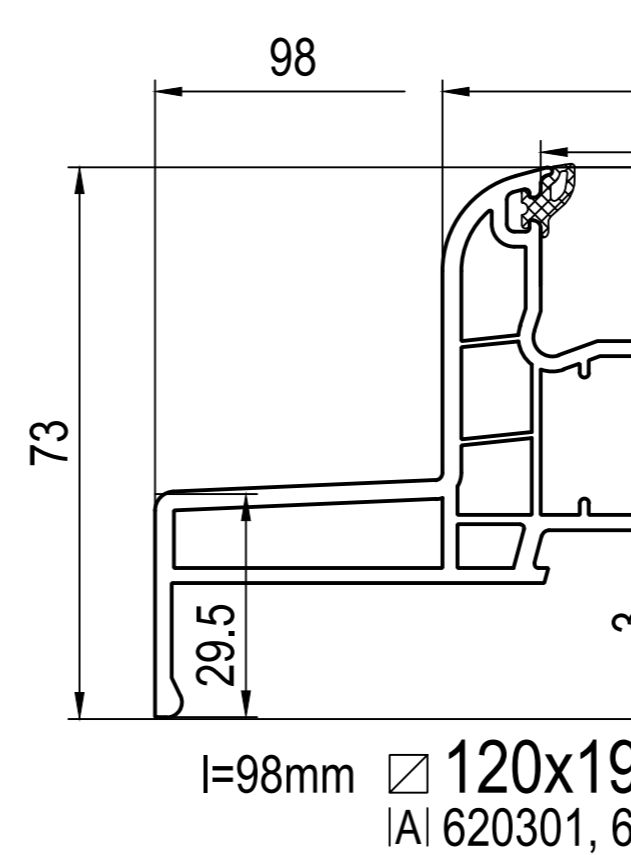
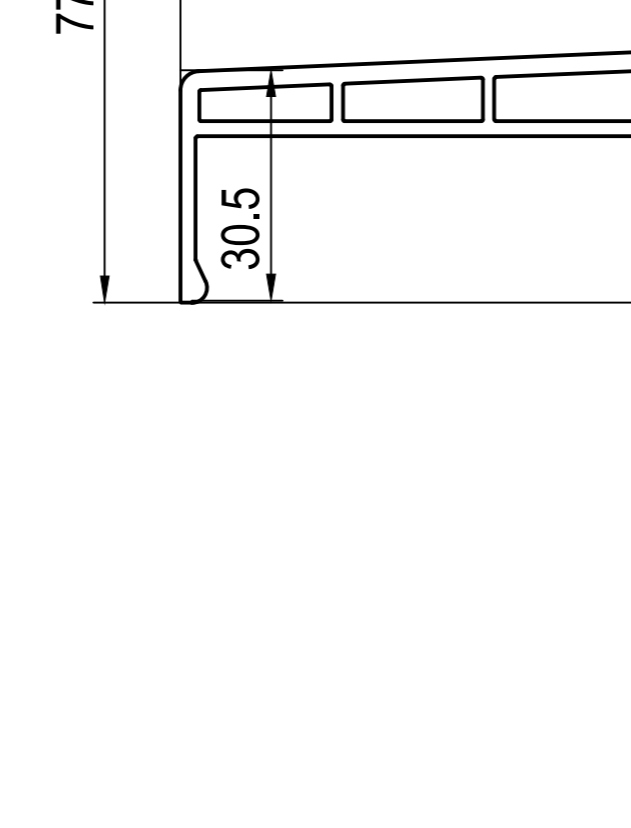
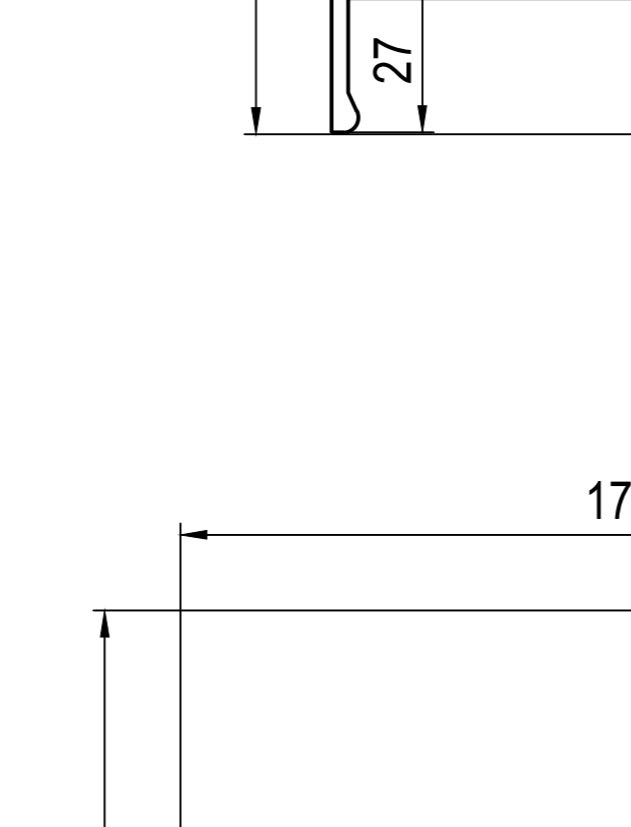
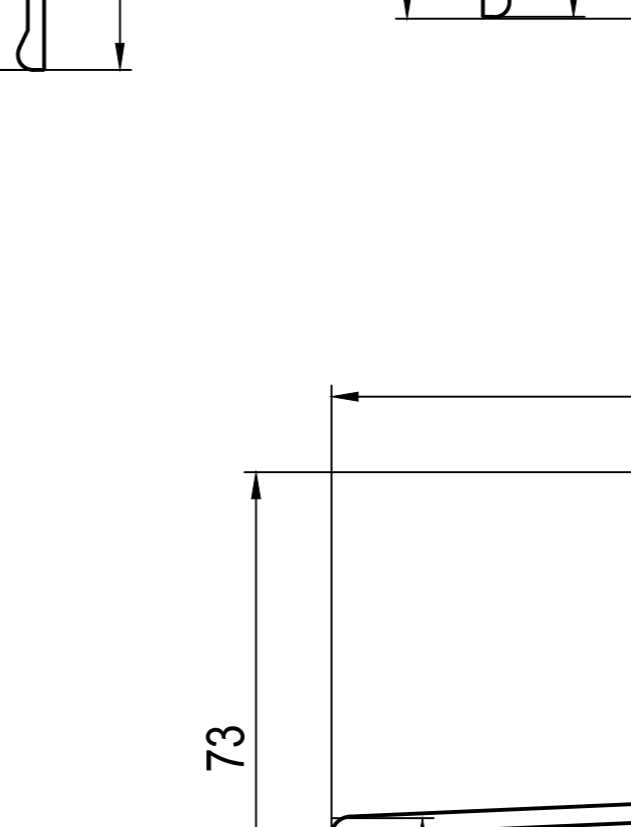
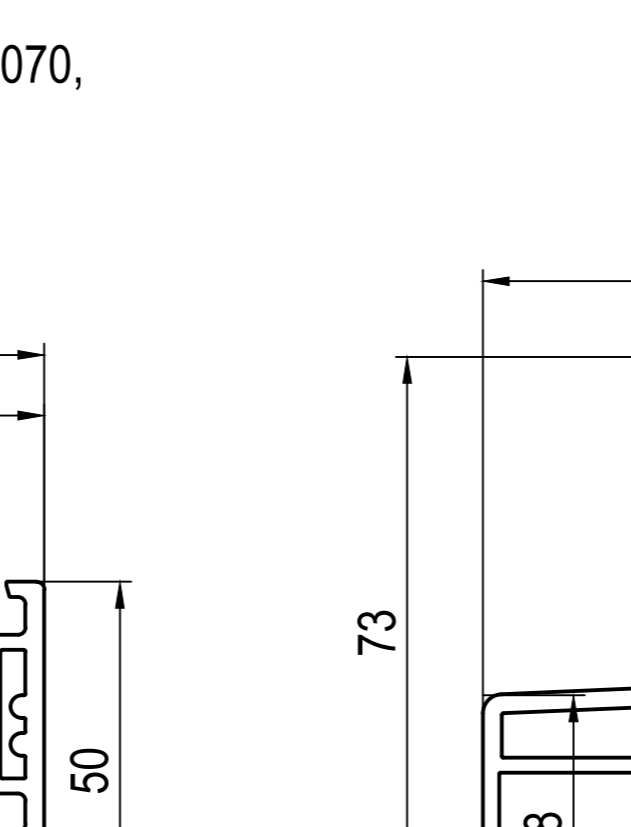
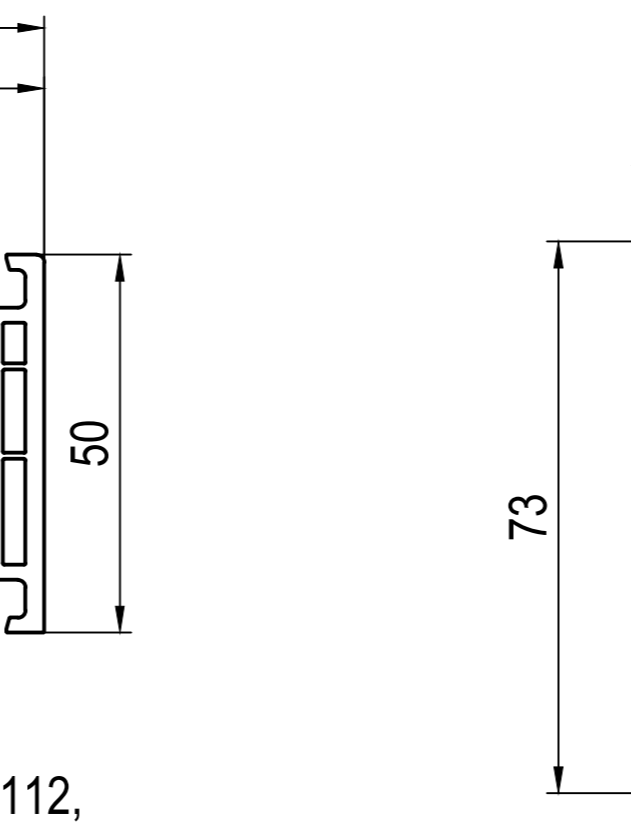
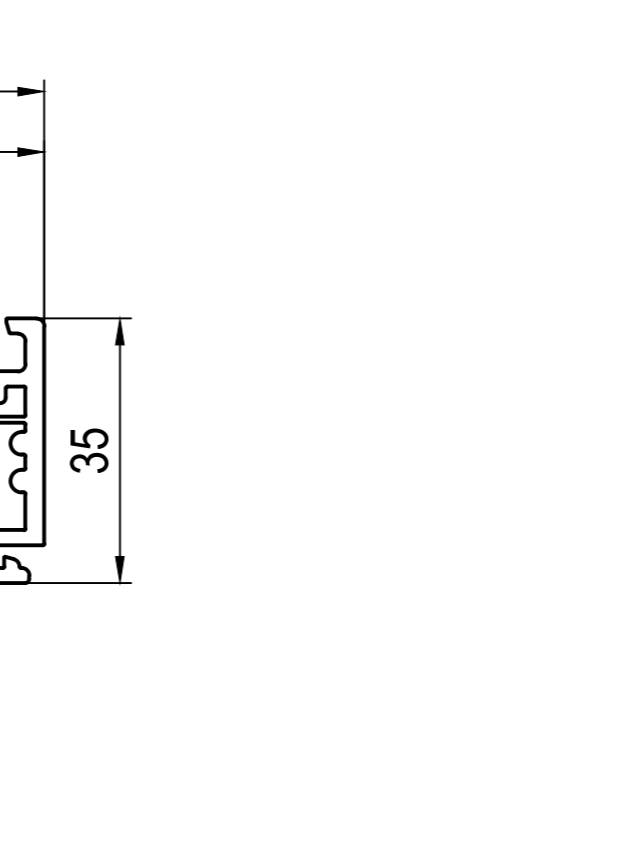
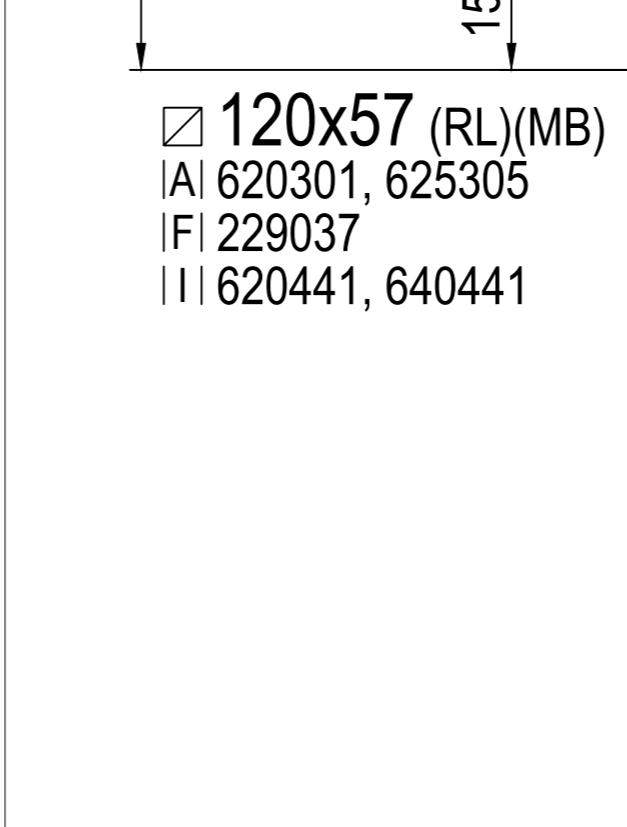
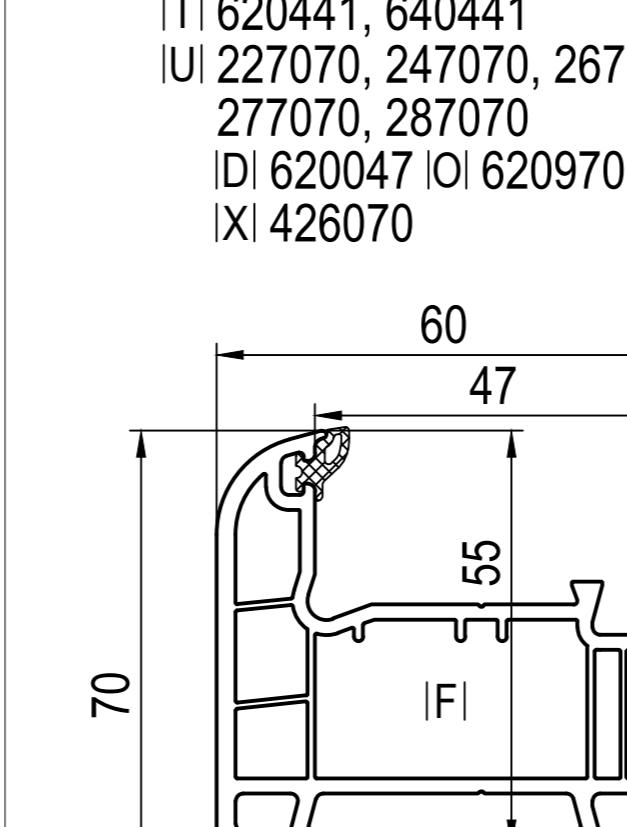
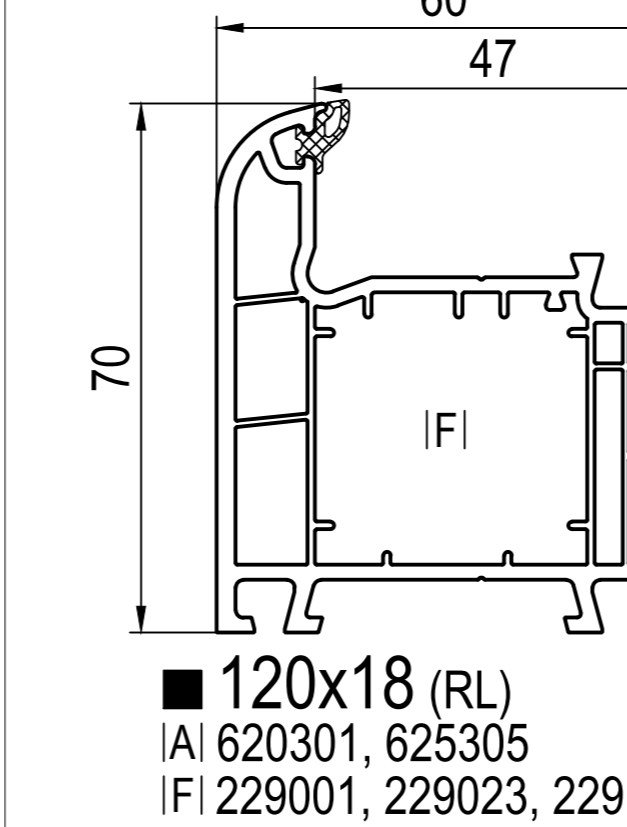
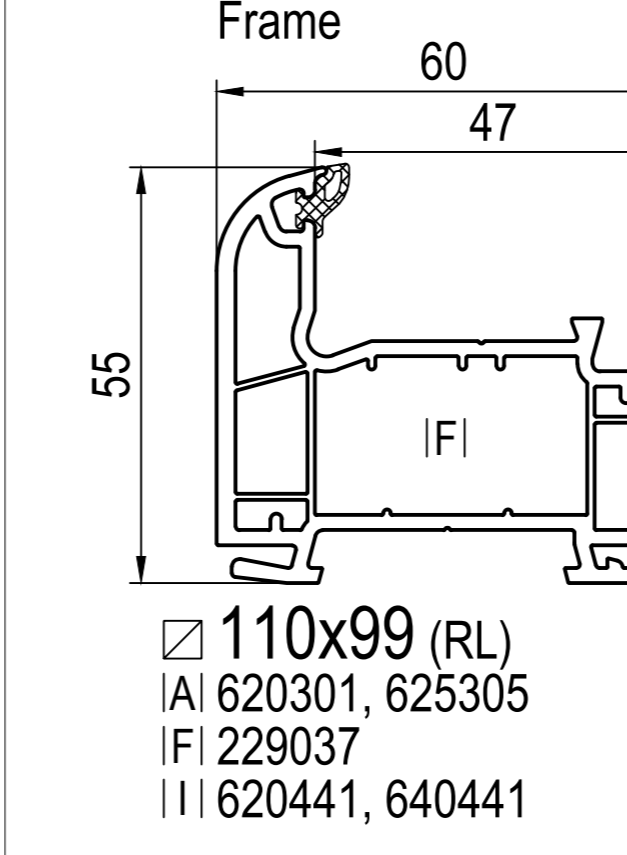
■ 140x12 (CL)(MB) *
I=70mm
■ 140x14 (CL)(MB)
I=102mm
■ 140x16 (CL)(MB)
I=122mm
■ 140x18 (CL

Main Profiles

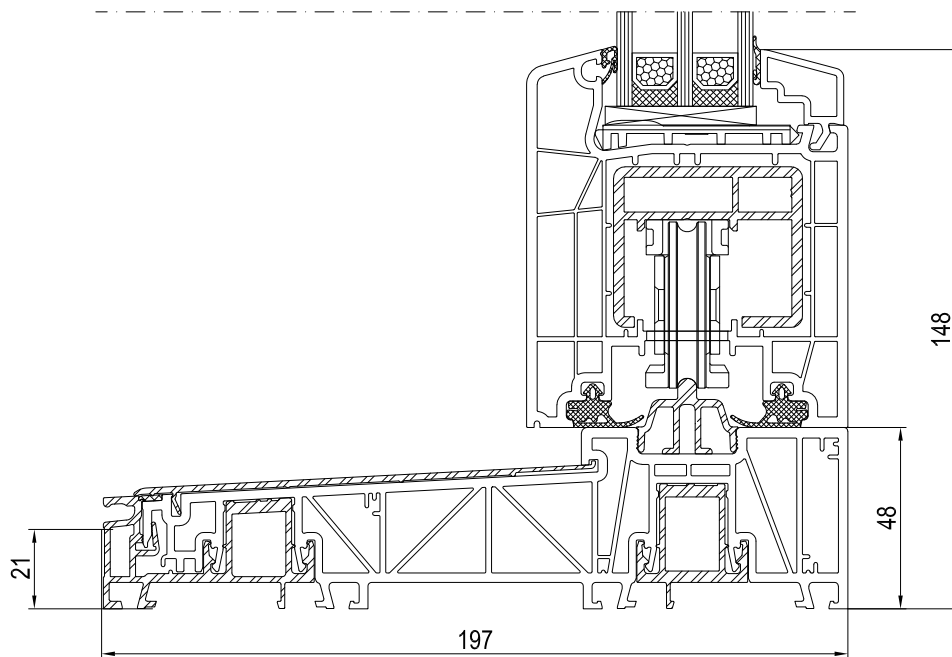
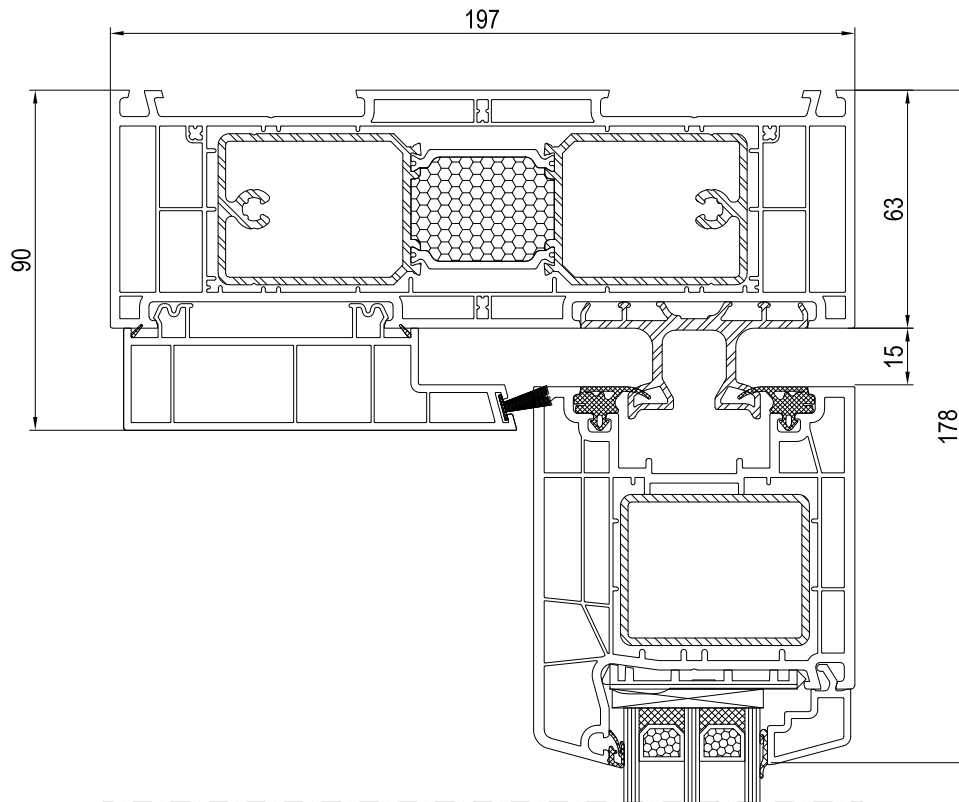


[3.5]	[4]	[4]	[3.5]	[3.5]	[mm]	[mm]
Standard IXI 429921 bl IXI 427921 pw	Standard IXI 479025 bl IXI 477025 pw	TPE IXI 479015 bl IXI 477015 pw	Standard IXI 429340 bl IXI 420340 pw	Option IXI 429320 bl IXI - pw	Basic Air max LI 689350 bl LI 687350 pw	REGEL-air® LI 630315 Set

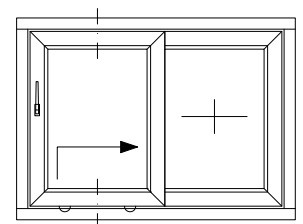
Round-line (RL)



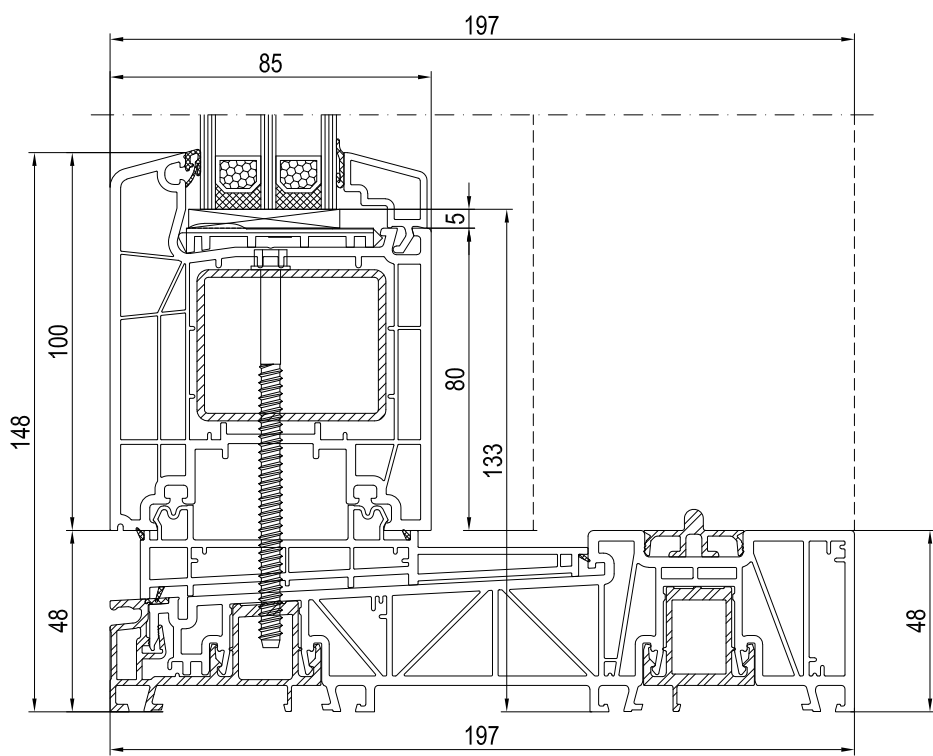
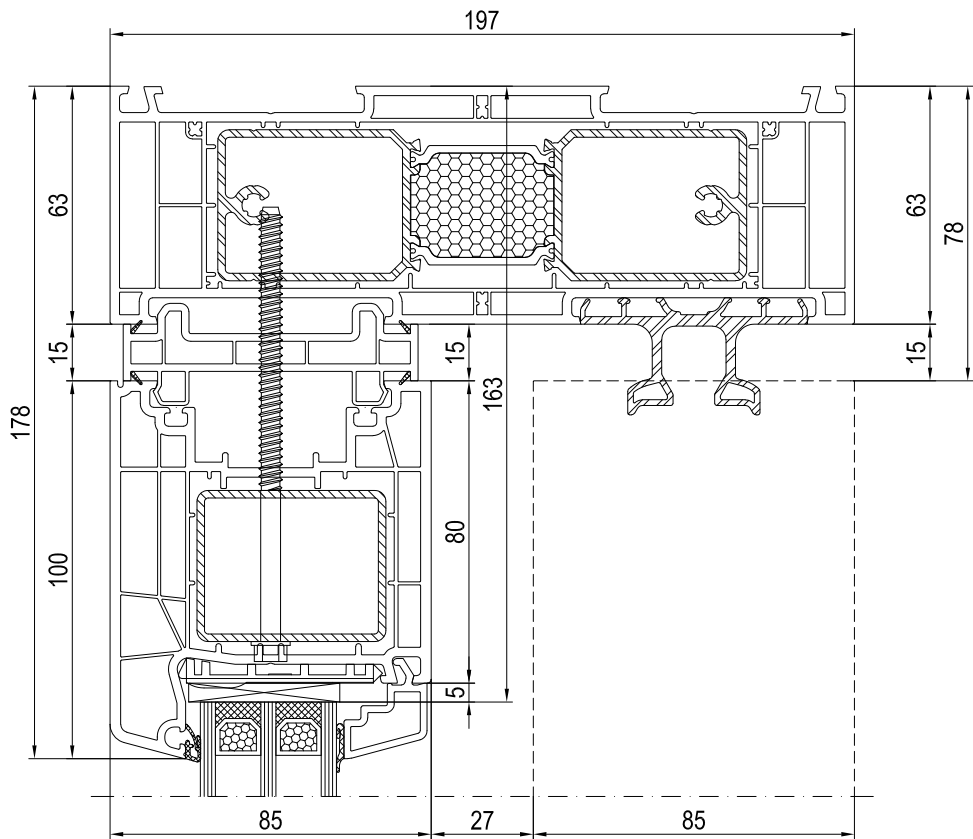
- AD Backstop Gasket System
 - ⊗ Bonding of pane Option
 - not laminated
 - laminated
 - AI Spacer
 - CI End caps
 - DI Connector
 - DI Connector without knobs
 - EI Corner connector
 - FI Reinforcements
 - II Lifter
 - J Bonding of pane
 - LI Basic ventilation system
 - OI Auxiliary parts
 - QI Aluminium step protection
 - UI Aluminium threshold
 - VI Connection for threshold
 - XI Gaskets
- > for
- (CL) Classic-line
 - (RL) Round-line
 - (MB) Monobloc
 - bl black
 - pw papyrus-white



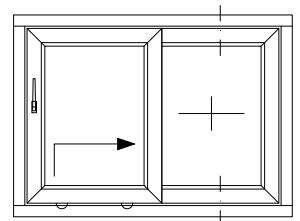
Schema A



Lift-and-slide
sliding sash / standard version

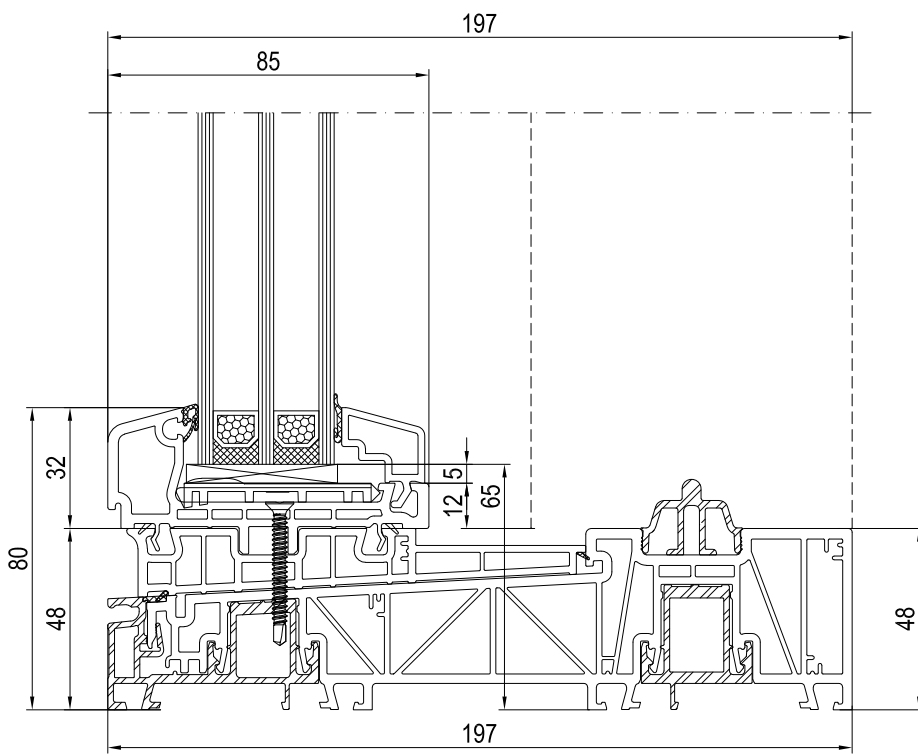
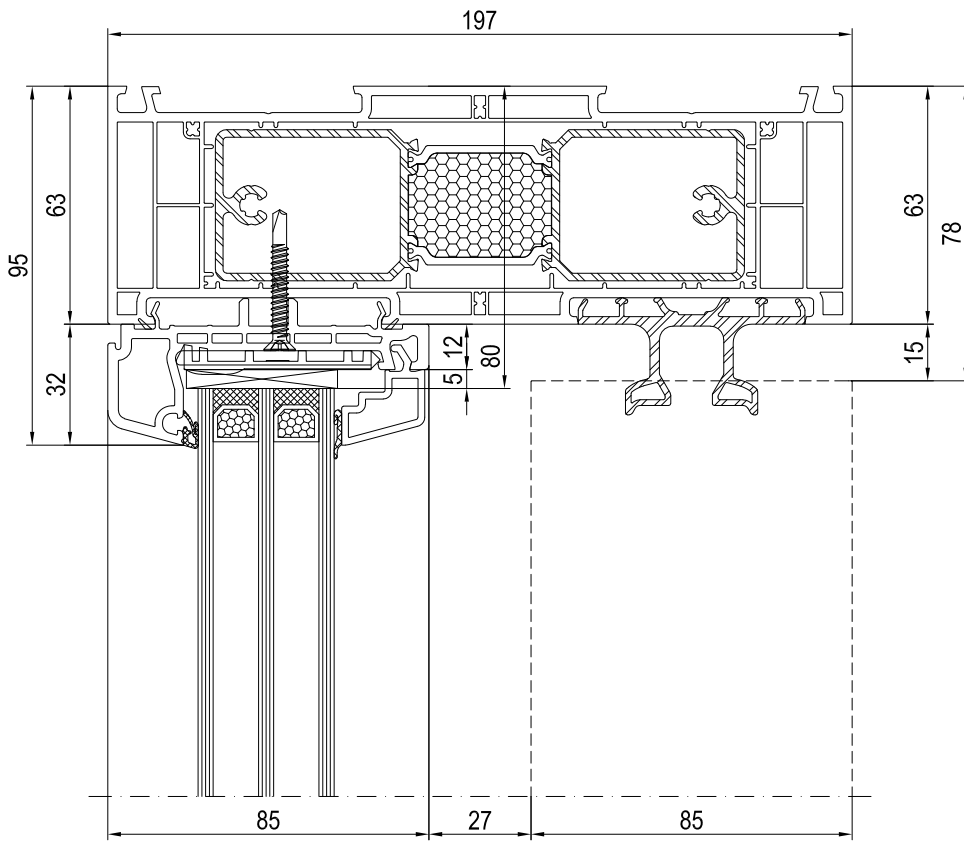


Schema A

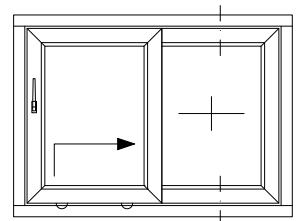


Lift-and-slide

fixed sash option BF/ standard version

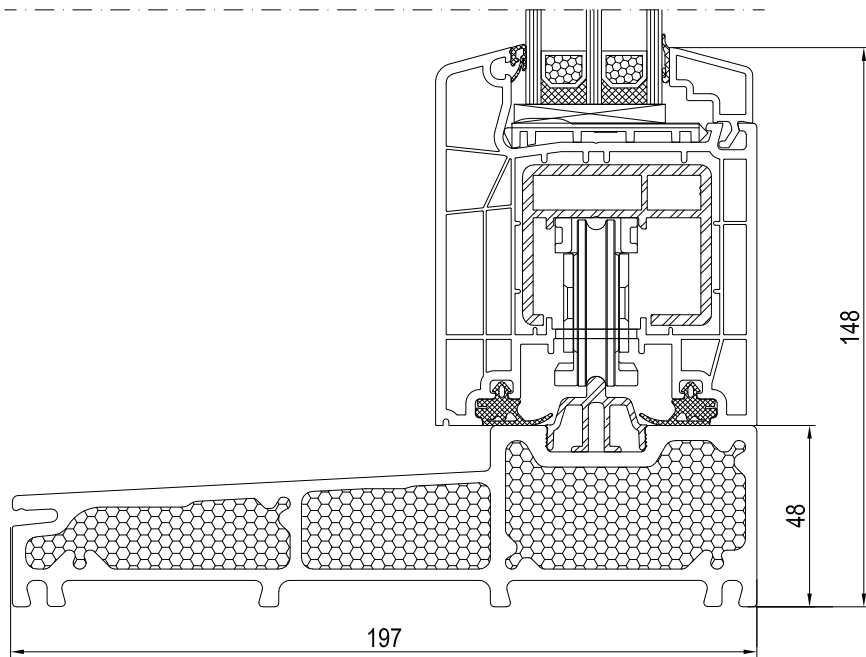
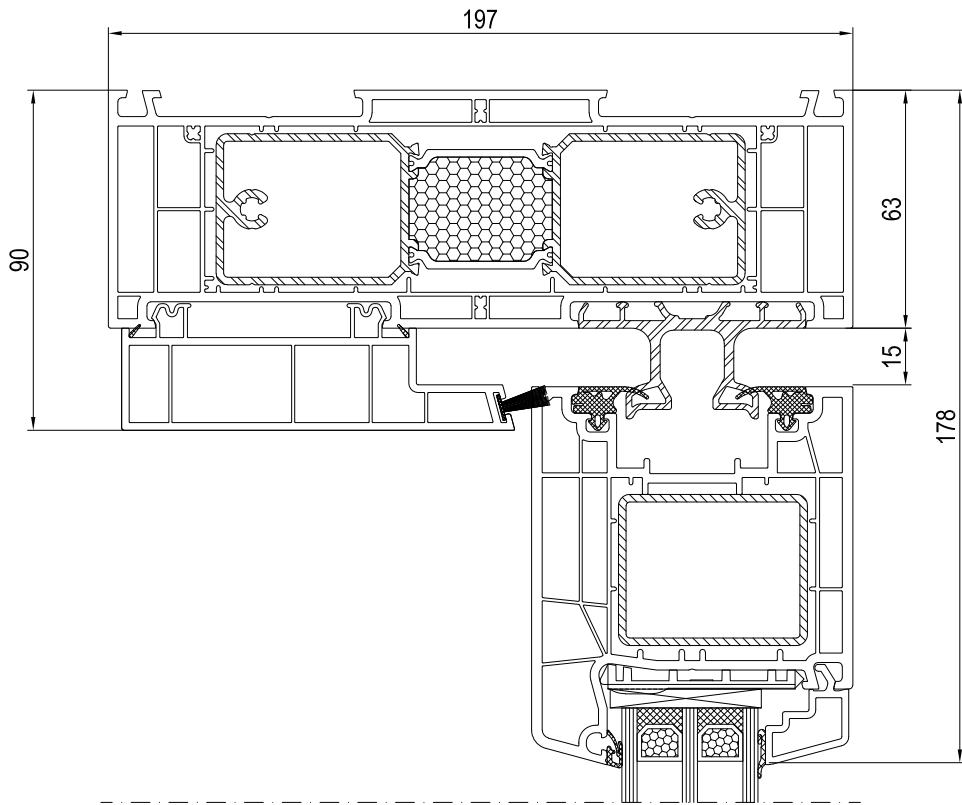


Schema A

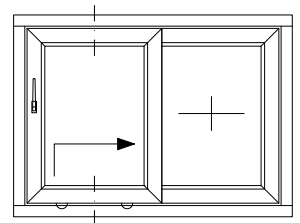


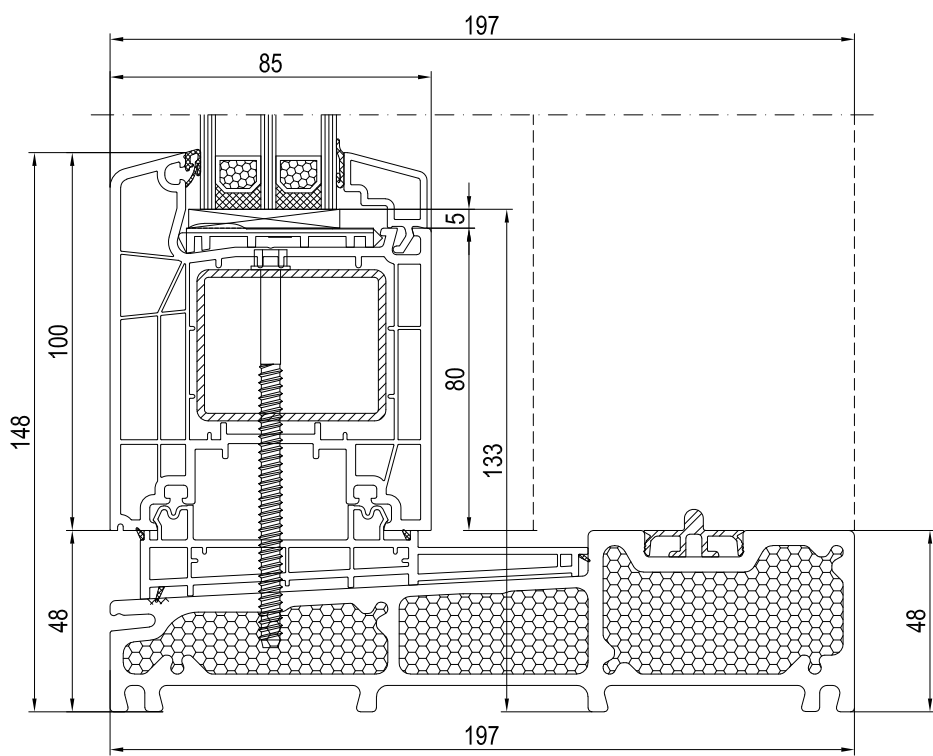
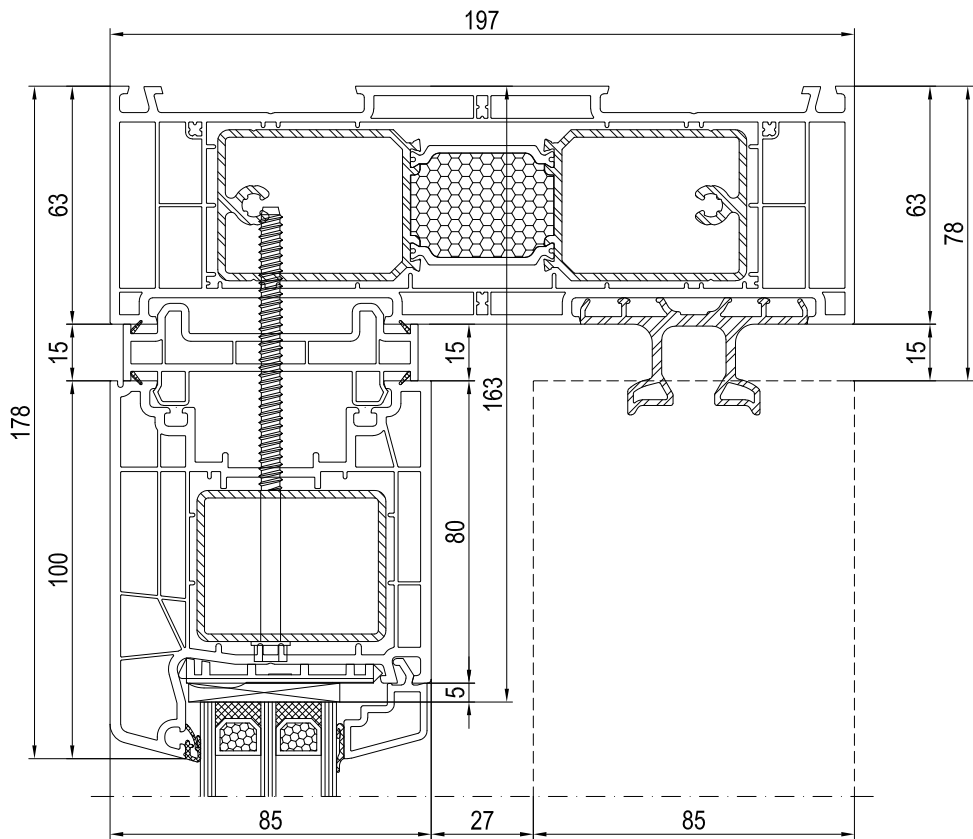
Lift-and-slide

fixed sash option FF/ standard version

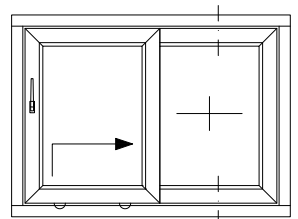


Schema A



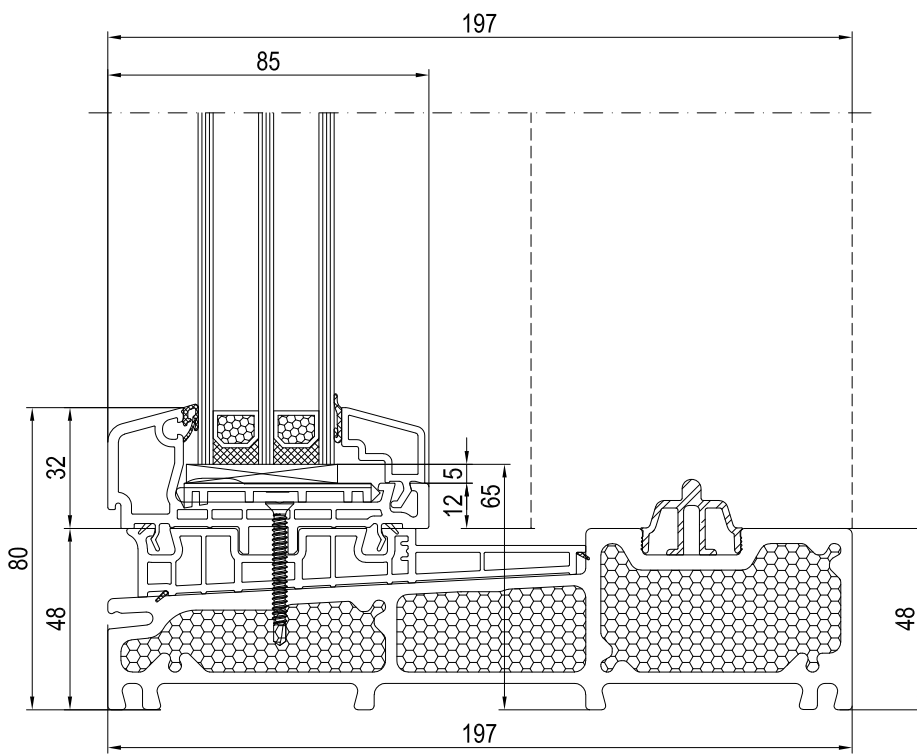
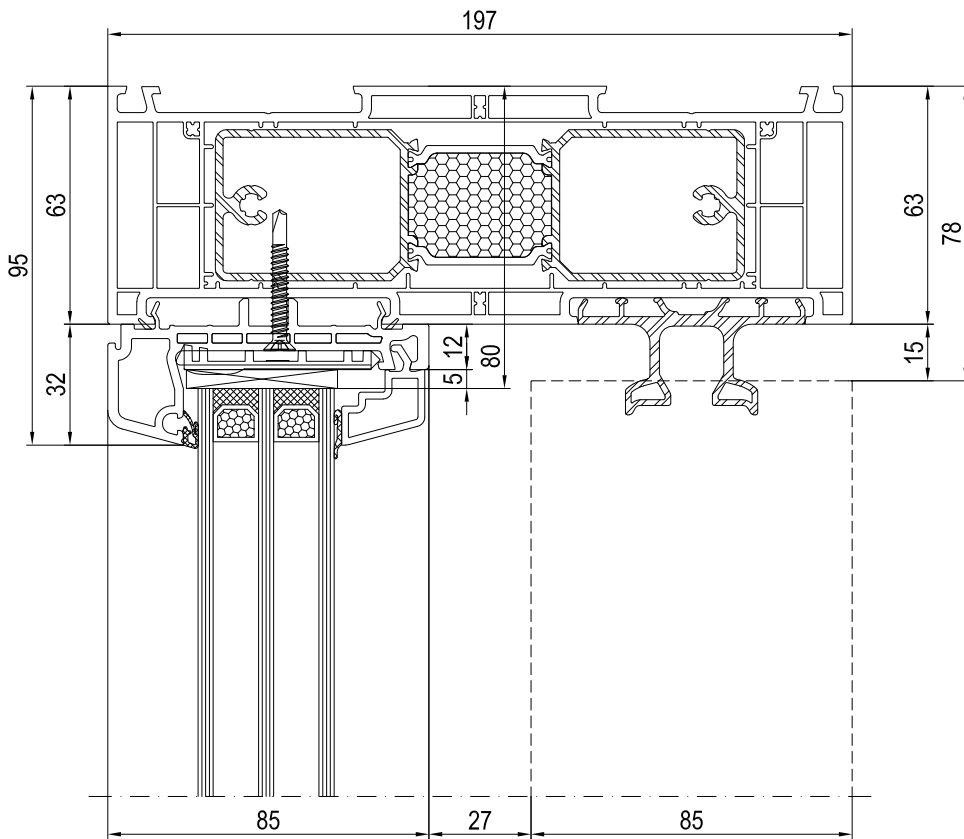


Schema A

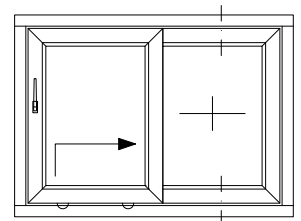


Lift-and-slide

fixed sash option BF/ premium version



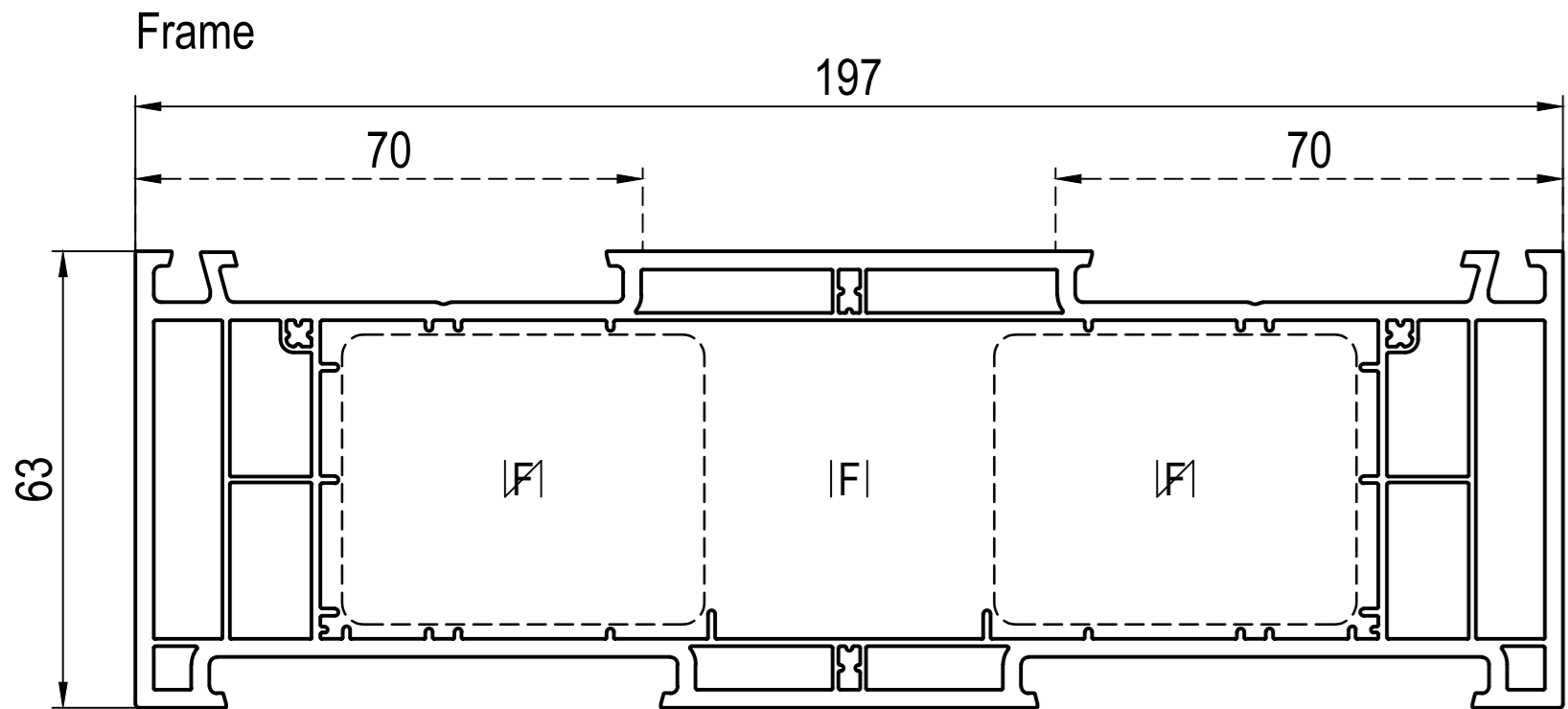
Schema A



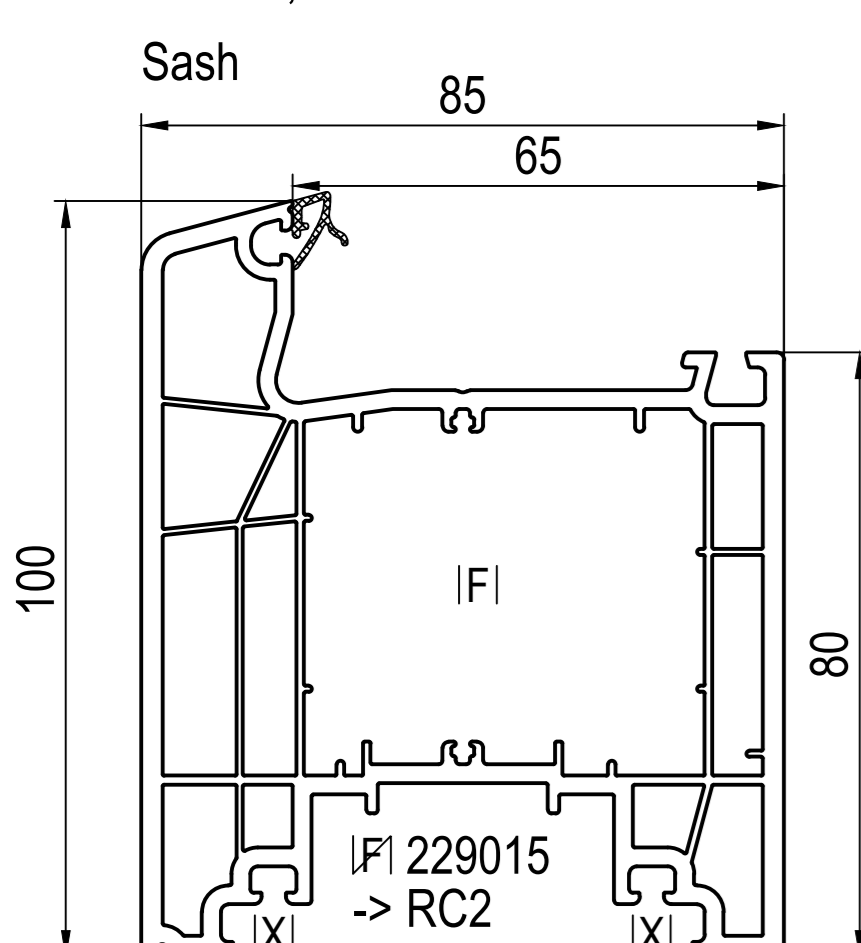
Lift-and-slide

fixed sash option FF/ premium version

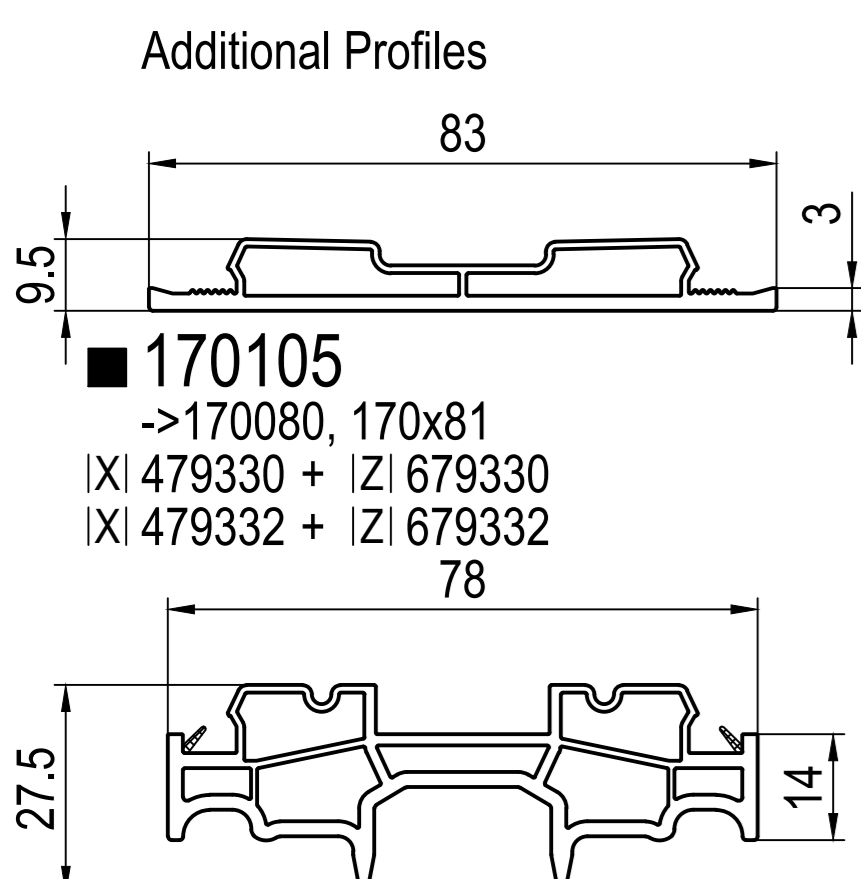
Main Profiles



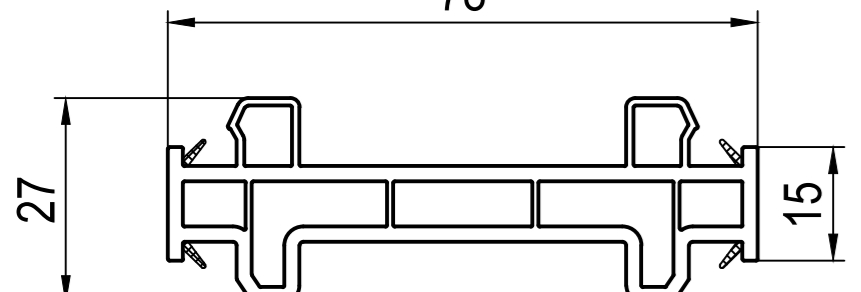
■ 170080
FI 24922x, 27910x
FI 229125, 229126 (2x)
FI 279380, 279383, 279384
ZI 670380, 679321



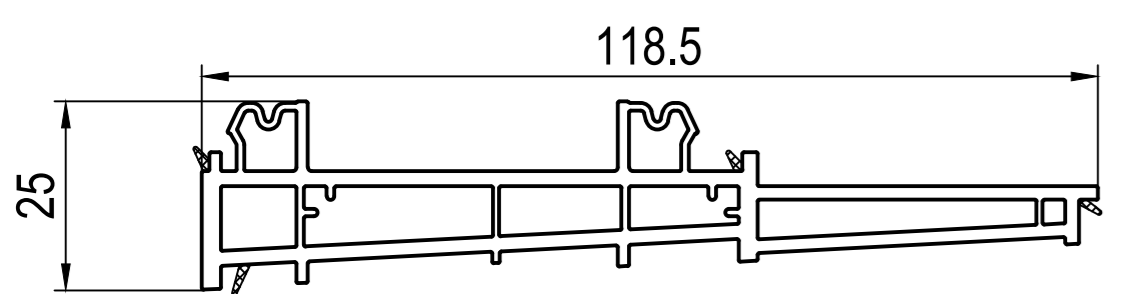
■ 170x81 (CL)
AI 670301
FI 229125, 229126, 279036, 279082, 279083, 279084
FI 229114, 229115 + ZI 670290
FI 279381, 279382, 279386
XI 479181
ZI 679303, 679341



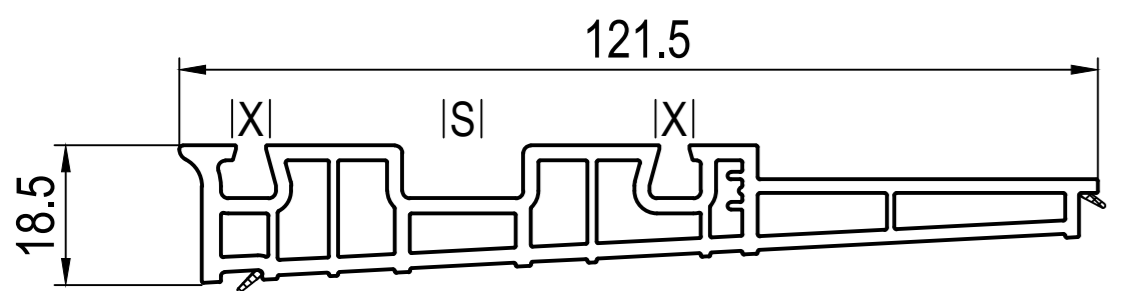
■ 170105
-> 170080, 170x81
XI 479330 + ZI 679330
XI 479332 + ZI 679332



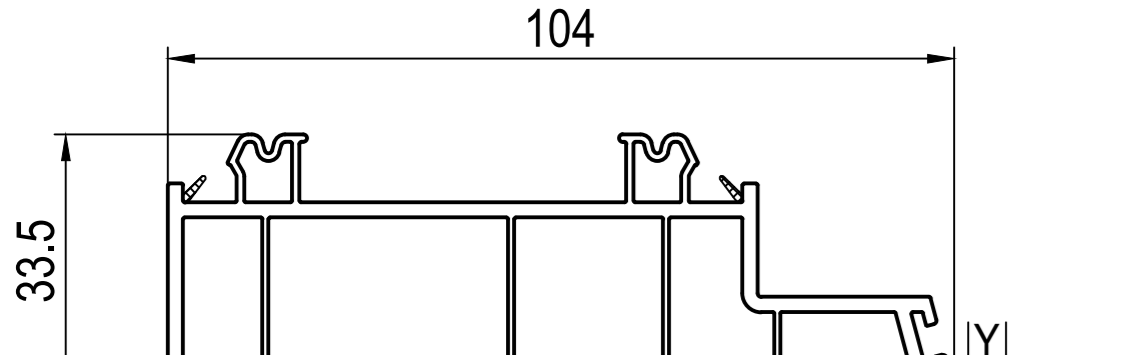
■ 170101
-> 170080, 170x81
XI 679305, 679340



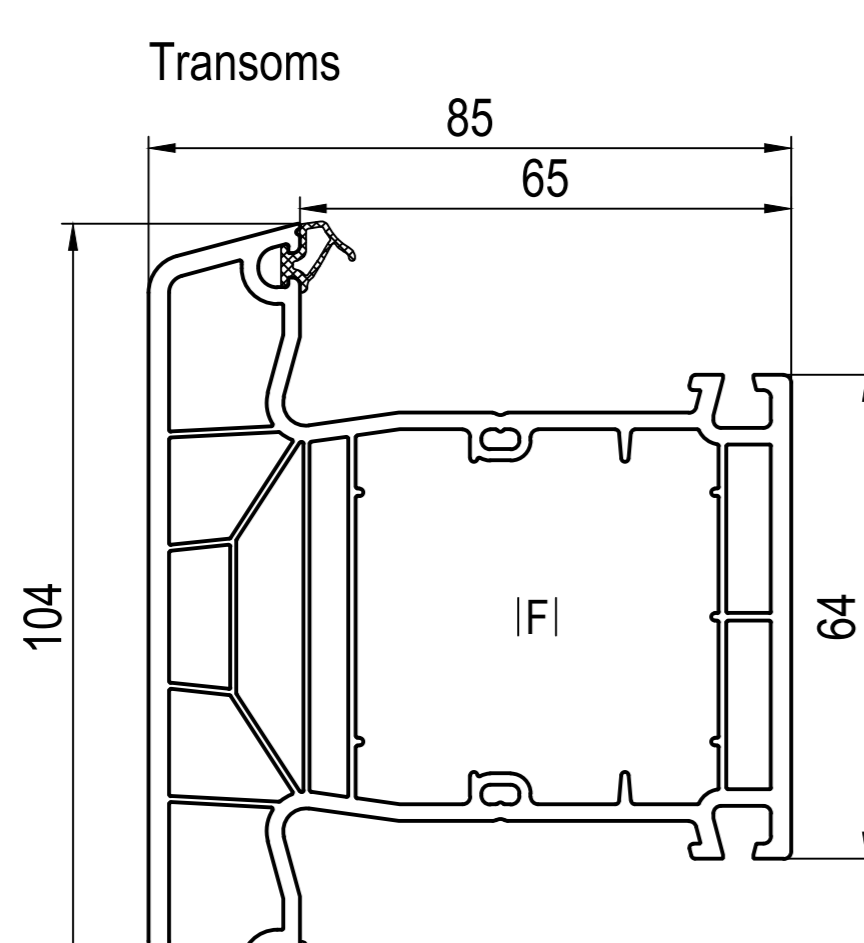
■ 176103 gr
-> 170x81
XI 679300
ZI 679302, 679303



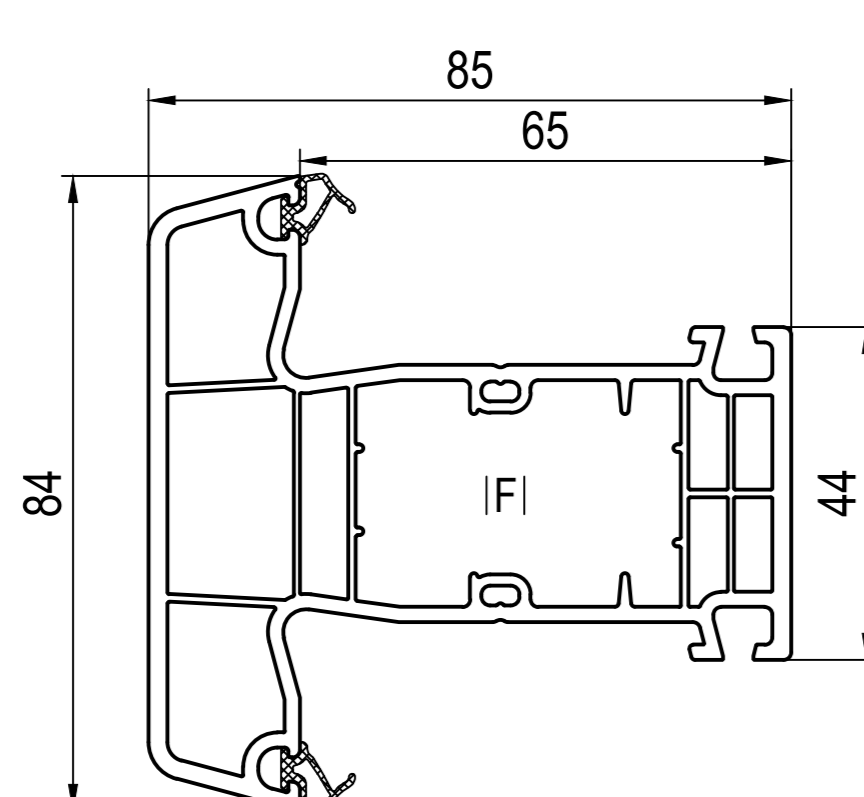
■ 176106 gr
SI 277138, 277180
XI 420250, 421250, 423250, 429250
XI 679300
ZI 679306



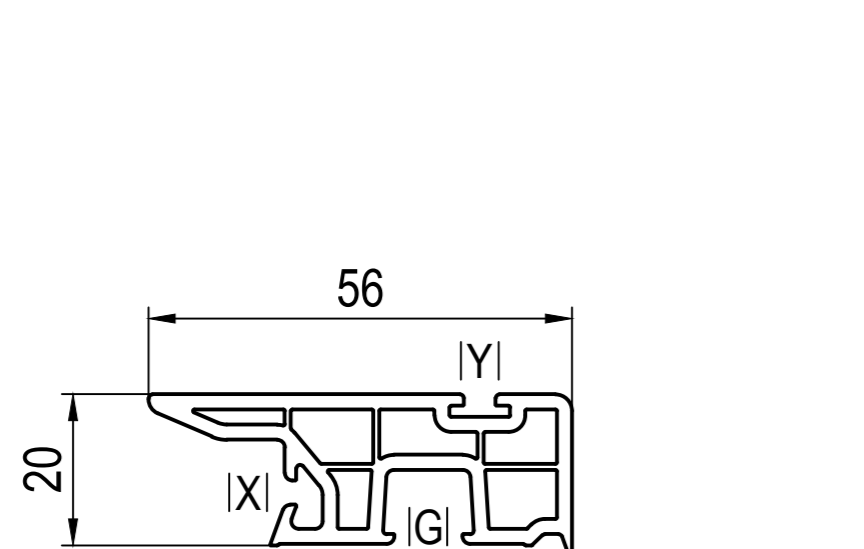
■ 170104
-> 170080
YI 449901, 459933
ZI 679304



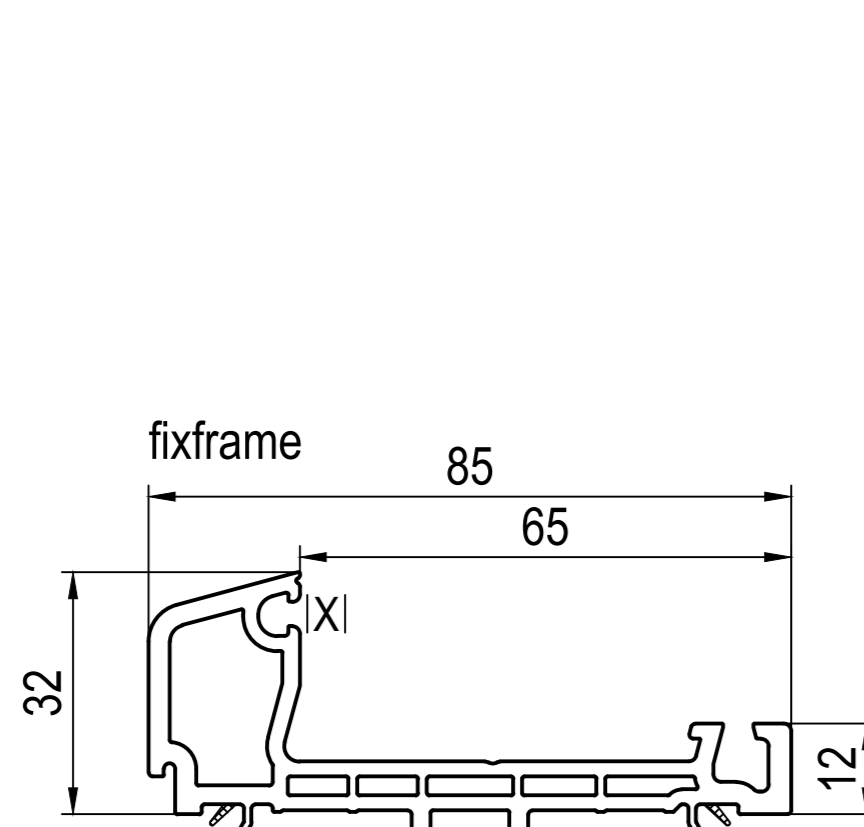
■ 170x44 (CL)
-> 170x81
AI 670301
FI 229114, 229115 + ZI 670290
FI 279381, 279382, 279386
XI 479181
ZI 679303, 679341



■ 170x41 (CL)
-> 170x81
AI 670301
DI 677101, 679141 ~170x4x...
OI 670950
DI 650047 ~ universal
FI 259043, 259044
PI 289341



■ 170100
-> 170x81
GI 652923
OI 670901
XI 479180
YI 449901, 459933



■ 170082 (CL)
PI 279306, 279307
XI 477025, 479025, 477015, 479015
ZI 679306, 679382

Accessories

AI Spacer
-> 170x41, 170x44, 170x81
14-52mm
5
0mm
670301

DI Connector
DI Connector without knobs
Transoms
-> 170x41, 170x44, 170x81
-> 170x44
DI 679141 P DI 677101 DI 677146 DI -
OI 670950 OI 670950 OI 670950 OI 677145
OI 670950 OI 670950 OI 670950 OI 670950

universal
-> Transoms
40x20x1000mm
45x20x1000mm
DI 650047 P -> 170x41
DI 640046 P 2x -> 170x44

FI | FI Reinforcements (...) = lx
-> Transoms
24922x
(65)249228 s=2.0 l= 6.7m (197)aluminium
-> 170080
27910x
(69)279108 s=2.0 l= 6.7m (206)aluminium
-> 170080

229125 s=2.0
(16.8)229126 s=3.0
-> 170080 (2x), 170x81
229114 s=1.5
(4.0)229114 s=1.5
(5.0)229115 s=2.0
-> 170x81 + ZI 670290
279082 s=1.5
(13.2)279082 s=1.5
-> 170x81
279083 s=1.5
-> 170x81
279084 s=1.5
-> 170x81
279082 s=1.5
-> 170x81
229015 s=1.5
-> 170x81 -> RC2

279381 (CL)²
-> 170x81 (CL)
279386 (CL)
-> 170x81 (CL)
279382 (CL)
SL 125mm
AU 284mm
279387 (CL)
-> 170101 (CL)
SL 39mm
AU 59mm
279306 (CL)
-> 170082 (CL)
+ 176106
-> Transoms
279307 (CL)
-> 170082 (CL)
289343 (CL)
-> 170x44 (CL)

279388 (CL)
-> 170x81 (CL)
279381 (CL)
SL 84mm
AU 160mm
279387 (CL)
-> 170101 (CL)
SL 39mm
AU 59mm
279306 (CL)
-> 170082 (CL)
+ 176106
-> Transoms
279307 (CL)
-> 170082 (CL)
289343 (CL)
-> 170x44 (CL)

279382 (CL)
SL 125mm
AU 284mm
279387 (CL)
-> 170101 (CL)
SL 39mm
AU 59mm
279306 (CL)
-> 170082 (CL)
+ 176106
-> Transoms
279307 (CL)
-> 170082 (CL)
289343 (CL)
-> 170x44 (CL)

GI Nipple screw / Clip
652923
-> uPVC
-> 170100
OI 670901

OI Auxiliary parts
-> Transoms
670918 -> ZI 670380, 679321
670901 -> GI 652923 + 170100
670941 -> ZI 679341
670950 -> DI 677101, 677146, 679141 -> DI 677145

YI Brush seals
aluskim
459933 bl
-> 170100, 170104
-> IPI 279383

IPI Aluminium shells
aluskim
83
51.5
279380 (CL)² SL 111mm
-> 170080 (CL) AU 237mm
GI 670180
279384 (CL)² SL 75mm
-> 170080 (CL) AU 120mm
GI 670180

279381 (CL)²
-> 170x81 (CL)
279386 (CL)
-> 170x81 (CL)
279382 (CL)
SL 125mm
AU 284mm
279387 (CL)
-> 170101 (CL)
SL 39mm
AU 59mm
279306 (CL)
-> 170082 (CL)
+ 176106
-> Transoms
279307 (CL)
-> 170082 (CL)
289343 (CL)
-> 170x44 (CL)

279381 (CL)²
-> 170x81 (CL)
279386 (CL)
-> 170x81 (CL)
279382 (CL)
SL 125mm
AU 284mm
279387 (CL)
-> 170101 (CL)
SL 39mm
AU 59mm
279306 (CL)
-> 170082 (CL)
+ 176106
-> Transoms
279307 (CL)
-> 170082 (CL)
289343 (CL)
-> 170x44 (CL)

279381 (CL)²
-> 170x81 (CL)
279386 (CL)
-> 170x81 (CL)
279382 (CL)
SL 125mm
AU 284mm
279387 (CL)
-> 170101 (CL)
SL 39mm
AU 59mm
279306 (CL)
-> 170082 (CL)
+ 176106
-> Transoms
279307 (CL)
-> 170082 (CL)
289343 (CL)
-> 170x44 (CL)

279381 (CL)²
-> 170x81 (CL)
279386 (CL)
-> 170x81 (CL)
279382 (CL)
SL 125mm
AU 284mm
279387 (CL)
-> 170101 (CL)
SL 39mm
AU 59mm
279306 (CL)
-> 170082 (CL)
+ 176106
-> Transoms
279307 (CL)
-> 170082 (CL)
289343 (CL)
-> 170x44 (CL)

279381 (CL)²
-> 170x81 (CL)
279386 (CL)
-> 170x81 (CL)
279382 (CL)
SL 125mm
AU 284mm
279387 (CL)
-> 170101 (CL)
SL 39mm
AU 59mm
279306 (CL)
-> 170082 (CL)
+ 176106
-> Transoms
279307 (CL)
-> 170082 (CL)
289343 (CL)
-> 170x44 (CL)

279381 (CL)²
-> 170x81 (CL)
279386 (CL)
-> 170x81 (CL)
279382 (CL)
SL 125mm
AU 284mm
279387 (CL)
-> 170101 (CL)
SL 39mm
AU 59mm
279306 (CL)
-> 170082 (CL)
+ 176106
-> Transoms
279307 (CL)
-> 170082 (CL)
289343 (CL)
-> 170x44 (CL)

279381 (CL)²
-> 170x81 (CL)
279386 (CL)
-> 170x81 (CL)
279382 (CL)
SL 125mm
AU 284mm
279387 (CL)
-> 170101 (CL)
SL 39mm
AU 59mm
279306 (CL)
-> 170082 (CL)
+ 176106
-> Transoms
279307 (CL)
-> 170082 (CL)
289343 (CL)
-> 170x44 (CL)

279381 (CL)²
-> 170x81 (CL)
279386 (CL)
-> 170x81 (CL)
279382 (CL)
SL 125mm
AU 284mm
279387 (CL)
-> 170101 (CL)
SL 39mm
AU 59mm
279306 (CL)
-> 170082 (CL)
+ 176106
-> Transoms
279307 (CL)
-> 170082 (CL)
289343 (CL)
-> 170x44 (CL)

279381 (CL)²
-> 170x81 (CL)
279386 (CL)
-> 170x81 (CL)
279382 (CL)
SL 125mm
AU 284mm
279387 (CL)
-> 170101 (CL)
SL 39mm
AU 59mm
279306 (CL)
-> 170082 (CL)
+ 176106
-> Transoms
279307 (CL)
-> 170082 (CL)
289343 (CL)
-> 170x44 (CL)

ISI | ISI Aluminium profiles
60
31
27715x
aluminium
2771500003000 l= 3.00m
2771500004500 l= 4.50m
2771500006700 l= 6.70m
-> 170080
XI 679340
ZI 6793410000098

27727x
aluminium
2772700003000 l= 3.00m
2772700004500 l= 4.50m
2772700006700 l= 6.70m
-> IUI 27726x, 27924x

27729x
aluminium
2772900003000 l= 3.00m
2772900004500 l= 4.50m
2772900006700 l= 6.70m
-> IUI 27726x, 27924x

277105 = 6.70m
aluminium
-> SI 277107

277107 = 85mm
aluminium
-> IUI 27716x, 27726x, 27924x
SI 277106 SI 277105
ZI 679306

277200 = 6.70m
aluminium
-> IUI 27716x, 27924x

277202 = 6.70m
aluminium
-> IUI 27726x
IUI Aluminium threshold + GFK(GRP)

27924x GFK(GRP)
2792400003020 gr l= 3.00m
2792400004520 gr l= 4.50m
2792400006720 gr l= 6.70m

27726x uPVC / aluminium
2772600003000 gr l= 3.00m
2772600004500 gr l= 4.50m
2772600006700 gr l= 6.70m

27716x uPVC / aluminium
277168 gr l= 6.70m

277206 = 6.70m
aluminium
-> IUI 27726x, 27924x

277211 = 6.70m
aluminium
-> IUI 27726x, 27924x
ISI 277207, 277208, 277209

277212 = 6.70m
aluminium
-> IUI 27726x, 27924x
ISI 277207, 277208, 277209

277213 = 6.70m
aluminium
-> IUI 27726x, 27924x
ISI 277207, 277208, 277209

277207 = 6.70m
aluminium
-> ISI 277211, 277212, 277213

277208 = 6.70m
aluminium
-> ISI 277211, 277212, 277213

277209 = 6.70m
aluminium
-> ISI 277211, 277212, 277213

277201 = 4.60m (2772010004600)
aluminium
-> IUI 27726x

27727x, 27729x
ISI 277107, 277200
ISI 277205, 277206, 277211, 277212, 277213
XI 429250, 479321
ZI 679304, 679321

277138, 277180
ISI 277107, 277200
ZI 679304, 679321 cut

XI Gaskets
479181 bl
-> 170x81
479180 bl
-> 170100
2x 60mm
479321 bl
IUI 27726x, 27924x

679305 gr
-> 170101
+ 27716x, 27726x, 27924x
679340 gr
-> 170101
+ 27715x
679300 gr
-> 679303 + 176103
-> 679306 + 176106

479025 bl
477025 pw
Standard
459922 bl
457922 pw
459923 bl
429334 bl
449251 bl
429330 bl
420330 wh
420250 wh
421250 br
423250 oc
429250 bl
-> 176106
IUI 27726x, 27924x

YI Brush seals
449901 gr
-> 170100, 170104
Standard
-> IPI 279383
459933 bl
-> 170100, 170104
-> IPI 279383

ZI Special accessories
670380 wh
-> 170080
+ 170080
OI 670918
Set 679321 gr
-> 170080
+ 27716x, 27726x, 27924x
OI 670918
Set 679341 gr -98
6793410000098
-> 170x81
+ 27715x
OI 670941

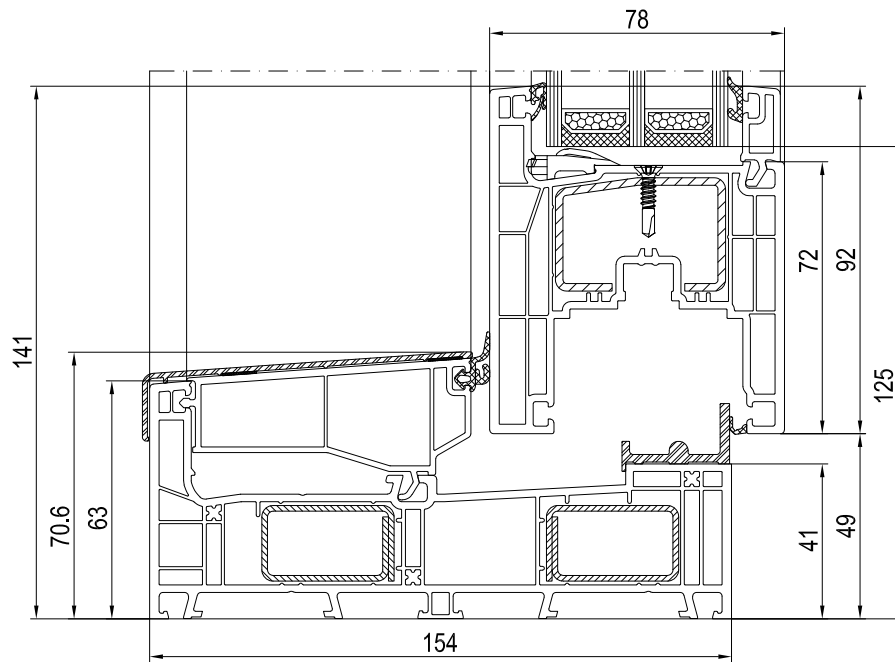
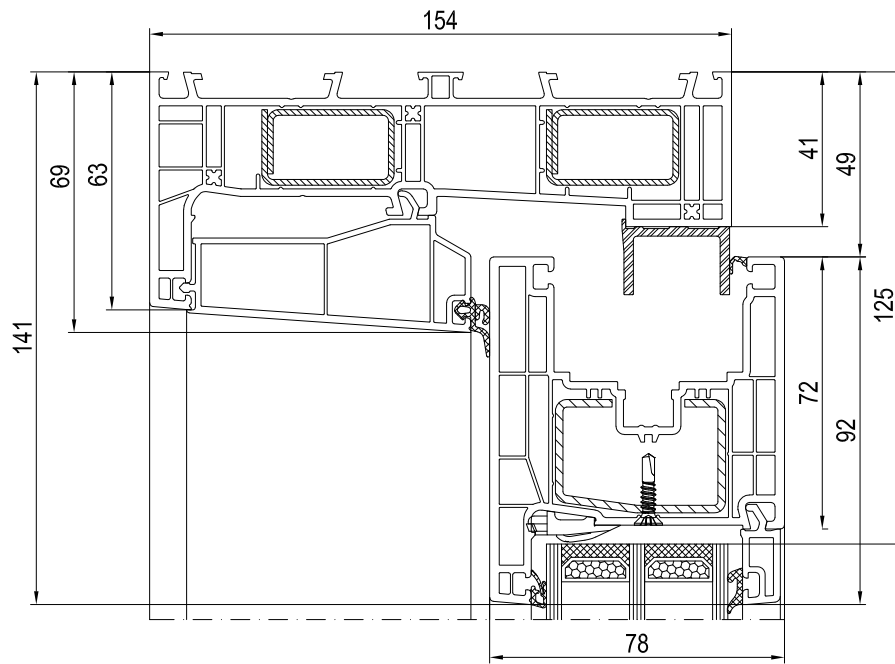
679303 gr
-> 170x81
+ 176103
679302 gr
-> 170102
+ 176103
679304 gr
-> 170104
+ 27716x, 27726x, 27924x
679306 gr
-> 176106,
SI 277107
679330 gr
-> 170105
XI 479330
679332 gr
-> 170105
XI 479332

670382 wh
-> 170x81
+ 170082
670290
~15x42.5x1000mm
-> 170x81
+ FI 229114, 229115
Set 679390 -98
Accessories
-> Schema A
* see price list

not laminated
laminated
-> for
(CL) Classic-line

br brown
gr grey
oc ochre
bl black
pw papyrus-white
wh white

1)
2)
SL visible length
AU exterior perimeter

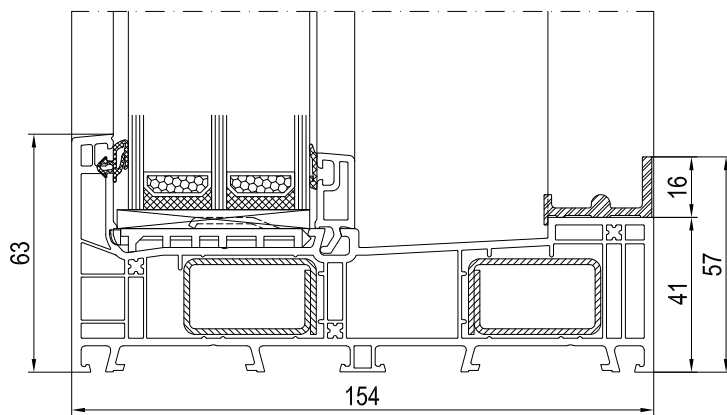
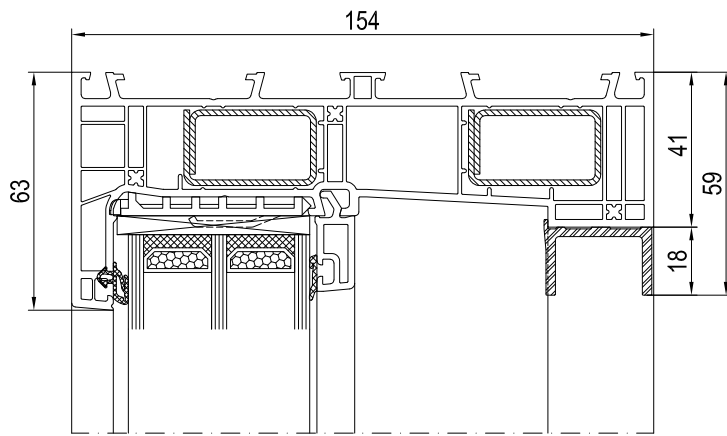


frame profile 154mm: 160x91
 sash profile 78mm: 160x94
 glazing bead: 150832



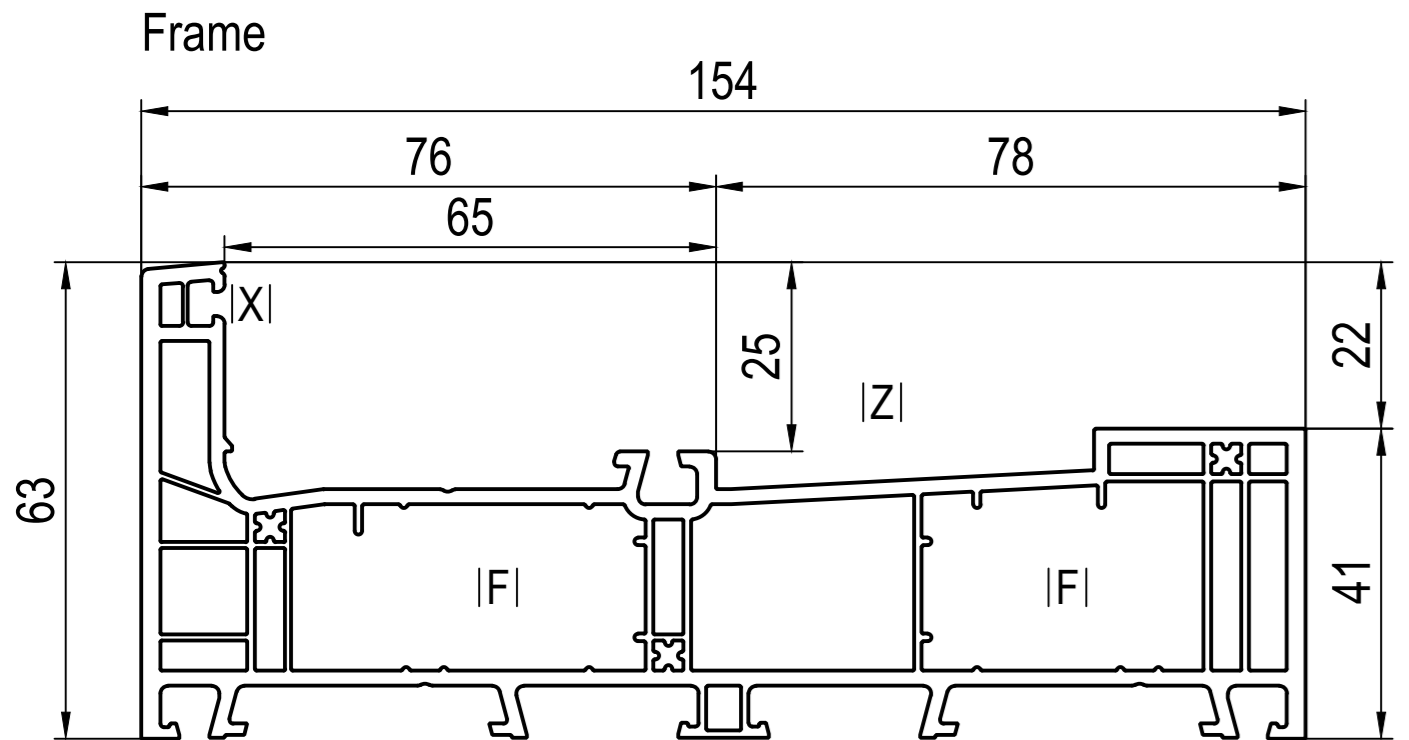
SMART-SLIDE NEO

sliding sash

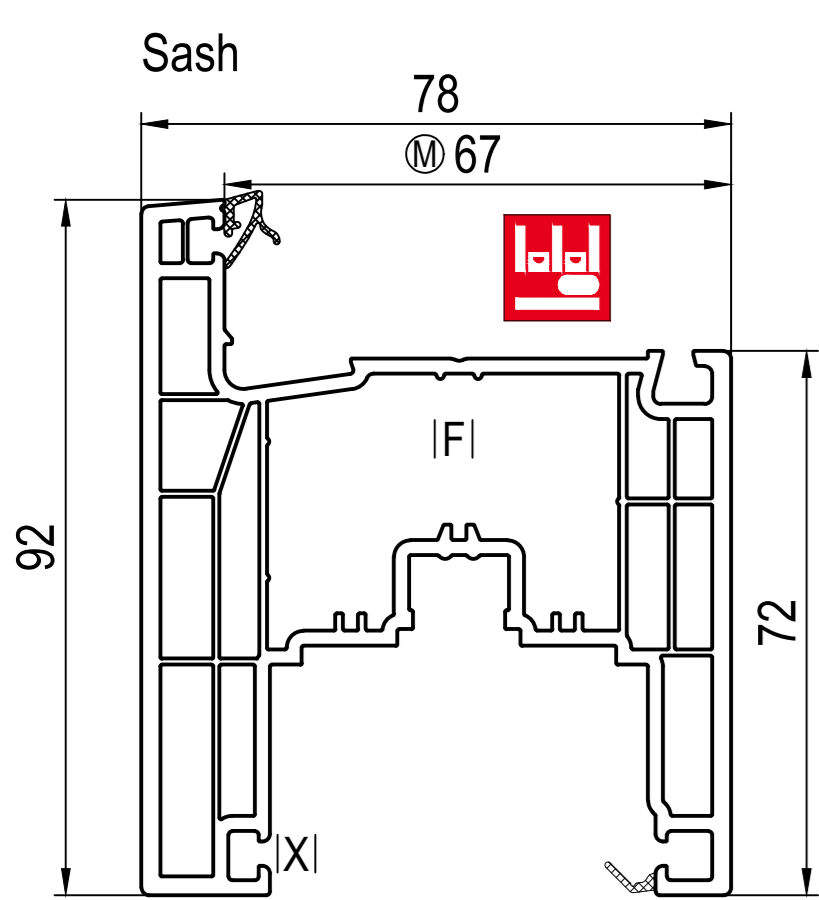


frame profile 154mm: 160x91
 sash profile 78mm: 160x94
 glazing bead: 150632

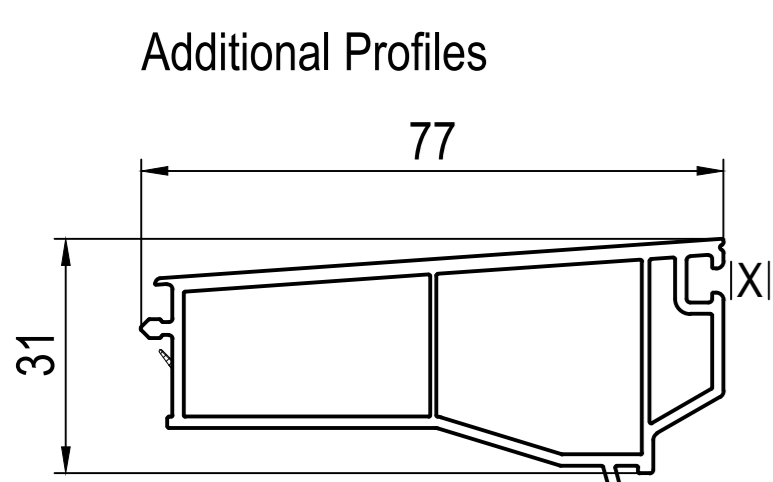
Main Profiles



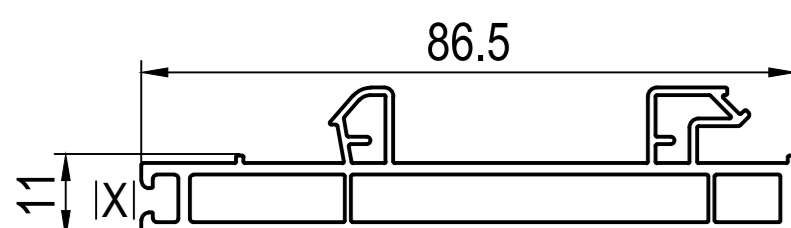
- 160091 (QL) AD
- IA 660301
- FI 229098, 229100, 229101
- O 660991
- QI 263291/267291 -> 160091 + 160291
- IXI 477025, 479025, 477015, 479015
- IZI 469293
- > Hautau, Maco, Winkhaus
- SI 263273/267273, 263275/267275, 263276/267276
- > G-U, Roto
- SI 263293/267293
- SI 263295/267295, 263296/267296 + IZI 466295
- > Siegenia
- SI 263287/267287



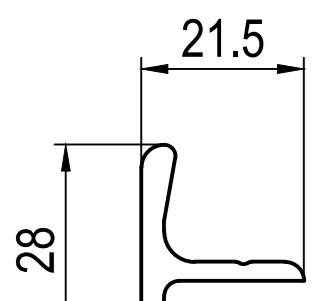
- 160x94 (QL) 67
- IA 685251, 680250, 655251, 650252, 620250, 650250
- FI 269294
- J 642261, 642262, 642263, 646265, 646266
- IXI 409284
- > Hautau, Maco, Winkhaus
- SI 267270
- > G-U, Roto
- SI 267290, 267292, 267297



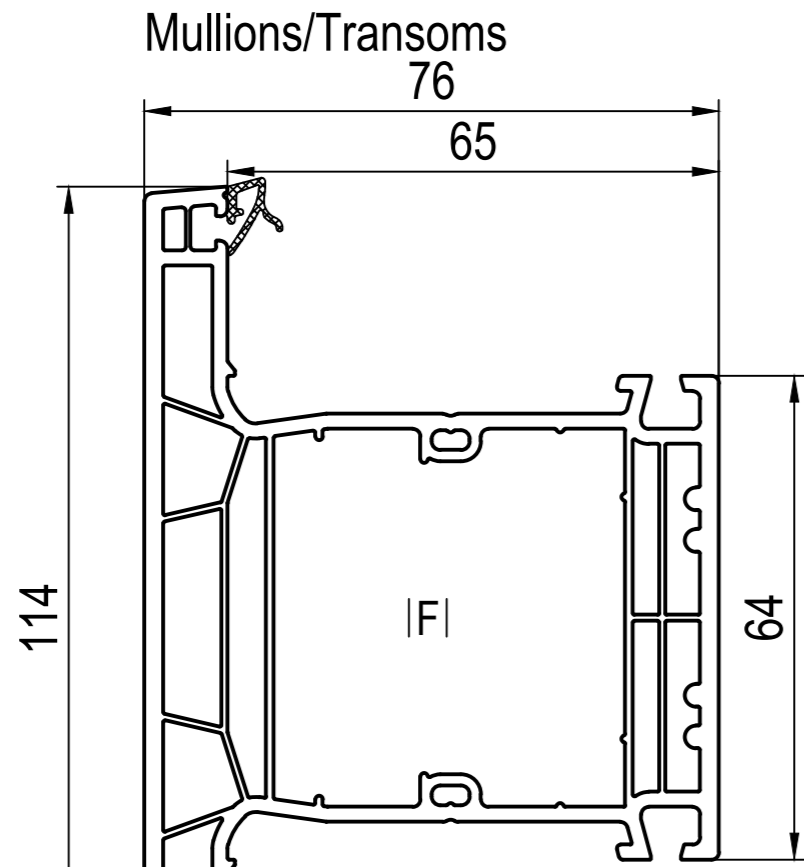
- 160291 (QL)
- > 160091, 160x41, 160x43
- QI 263291/267291 -> 160091 + 160291
- IXI 407291, 409291



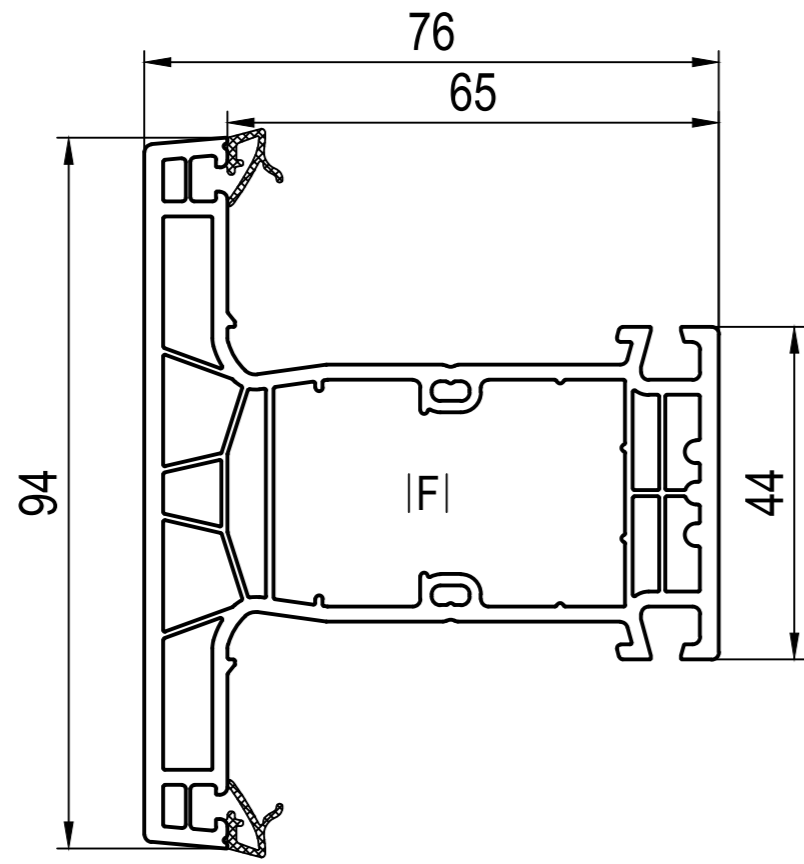
- 160294 (QL)
- > 160x94
- IXI 447340, 449340



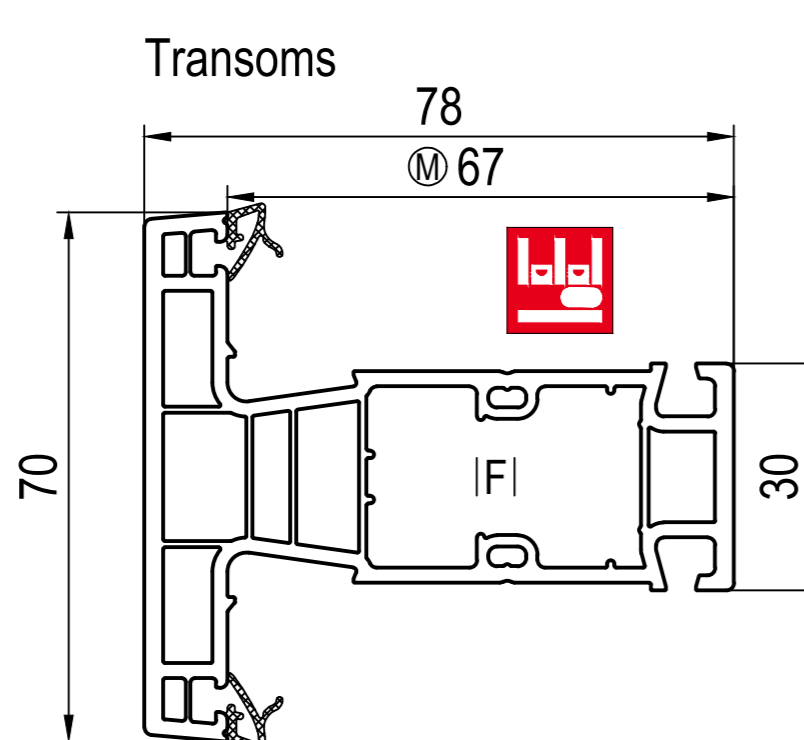
- 190231
- > 160x94 + IXI 409284



- 160x43 (QL) AD
- IA 660301
- DI 667043, 667143
- O 660950
- DI 667096 ~ 67 - Transoms
- IXI 457922, 459922
- DI 640046 ~ universal
- FI 269043, 269046



- 160x41 (QL) AD
- IA 660301
- DI 667041, 667141
- O 660950
- DI 677095 ~ 67 - Transoms
- IXI 457922, 459922
- DI 640046 ~ universal
- FI 269041, 269045



- 160x48 (QL) 67
- IA 685251, 680250, 655251, 650252, 620250, 650250
- DI 667048
- FI 249046
- J 642261, 642262, 642263, 646265, 646266

Accessories

- AI Spacer
- > AD
- 160091, 160x43, 160x41
- 8-52mm
- 8-54mm

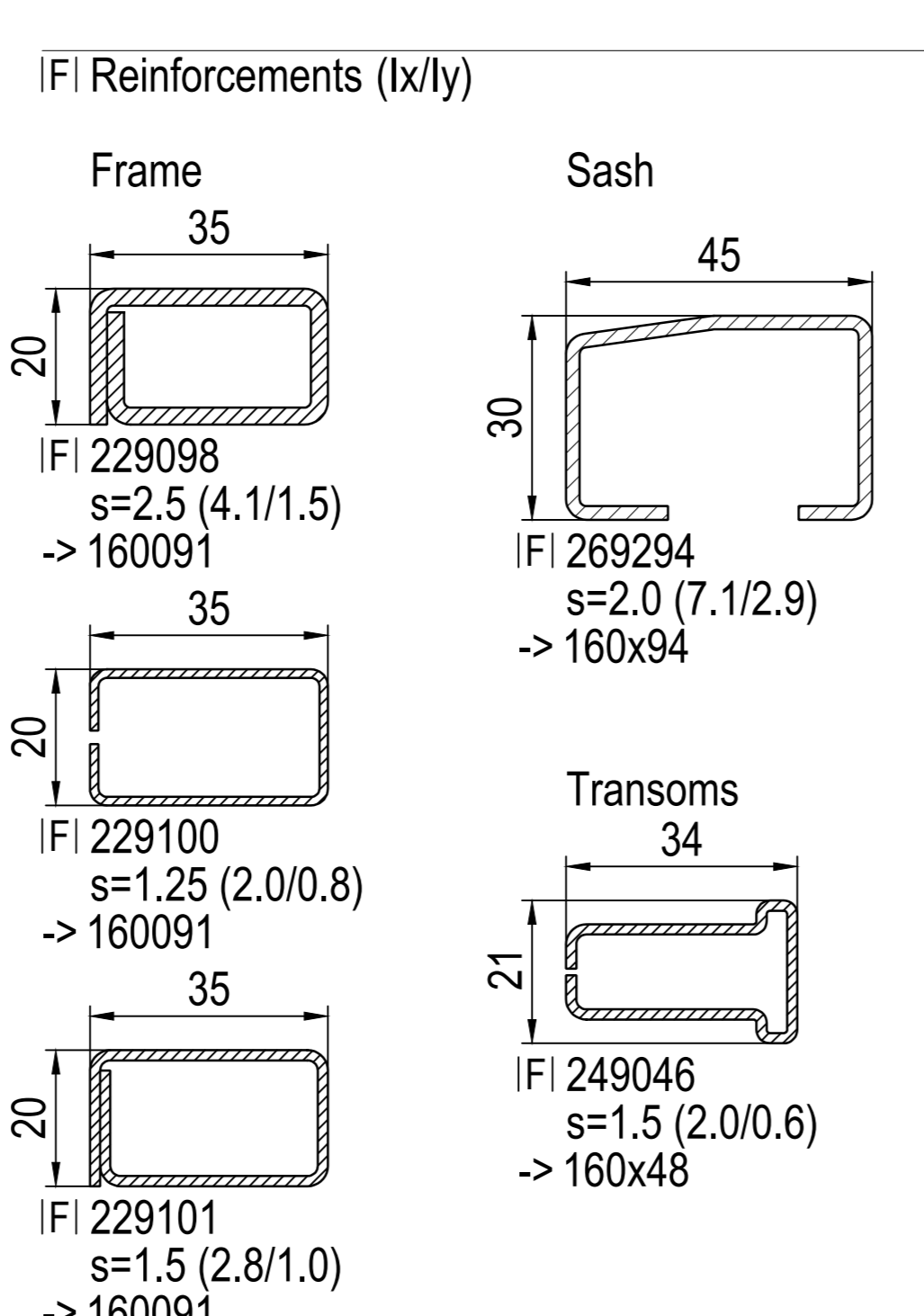
- 660301 red
- 650250 red
- 620250 red
- 650252 red
- 655251 gn
- 680250 red
- 685251 gn

- 660991
- 667096
- 667041
- 667141
- 667043
- 667095
- 667048
- 667095
- 667096

- DI Connector
- DI Connector without knobs
- Mullion
- 160091, 160x43, 160x41
- 667141
- 667041
- 667143
- 667043

- Transoms
- > 67
- 160x94, 160x48
- 667048
- 457922, 459922
- 667095
- 667096

- universal
- > Mullion
- 45x20x1000mm
- DI 640046 P
- 1x -> 160x41
- 2x -> 160x43



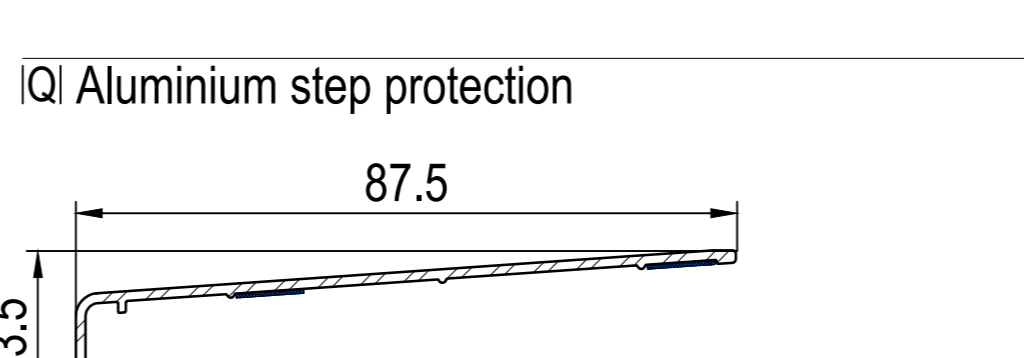
- J Bonding of pane
- > 67
- 160x94, 160x48
- 24-54mm

- 640033 red
- 640034 ye
- 640035 gn
- 642261 bl
- 642263 bl
- 642262 bl
- 646265 gr
- 646266 gr

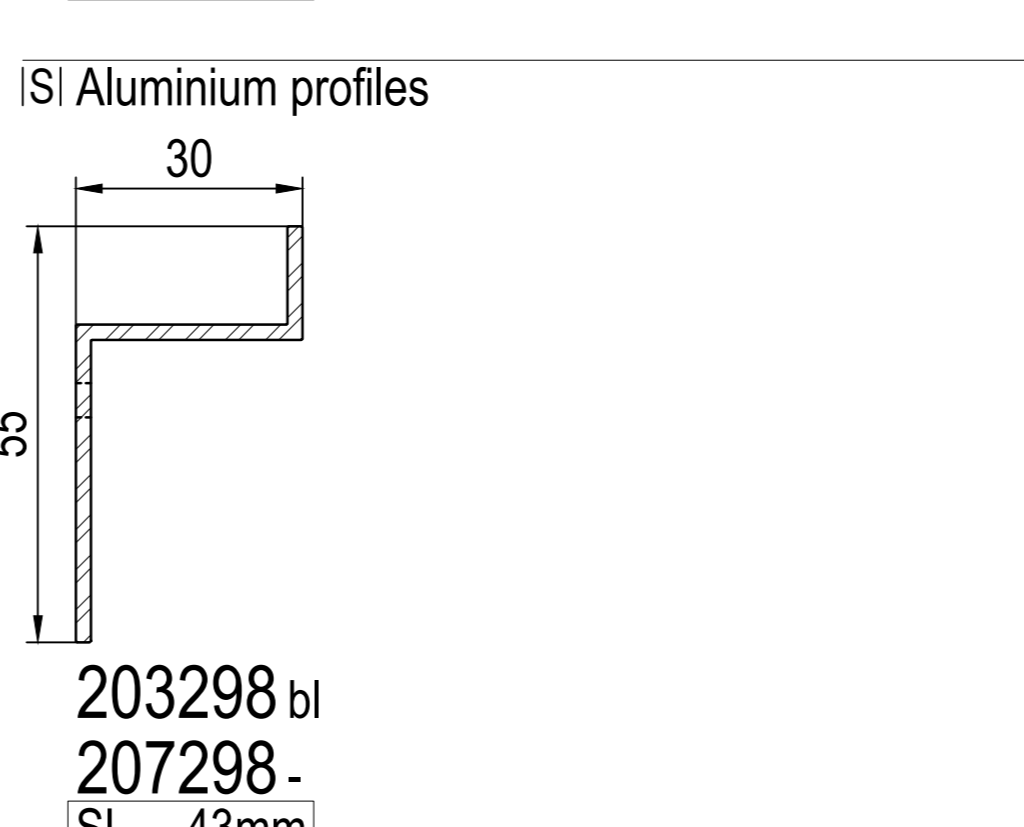
- IKI Drain slot caps / Drainage profile
- Set
- 600290
- ~ Ø5x35mm
- OI Auxiliary parts
- 660991
- 660950

- IKI Gaskets (...)
- Repair gaskets
- 409291 bl
- 409284 bl
- 449251 bl
- 407291 pw
- 479025 bl
- 477025 pw
- 479015 bl
- 477015 pw
- 420250 wh
- 421250 br
- 423250 oc
- 429250 bl
- 449340 bl
- 447340 pw
- 449042 bl
- 447042 pw
- 449343 bl
- 447343 pw

- IKI Special accessories
- 469293 bl
- > 160091



- QI Aluminium step protection
- 263291 bl
- 267291 -
- > 160091 + 160291
- SL 107mm
- AU 213mm



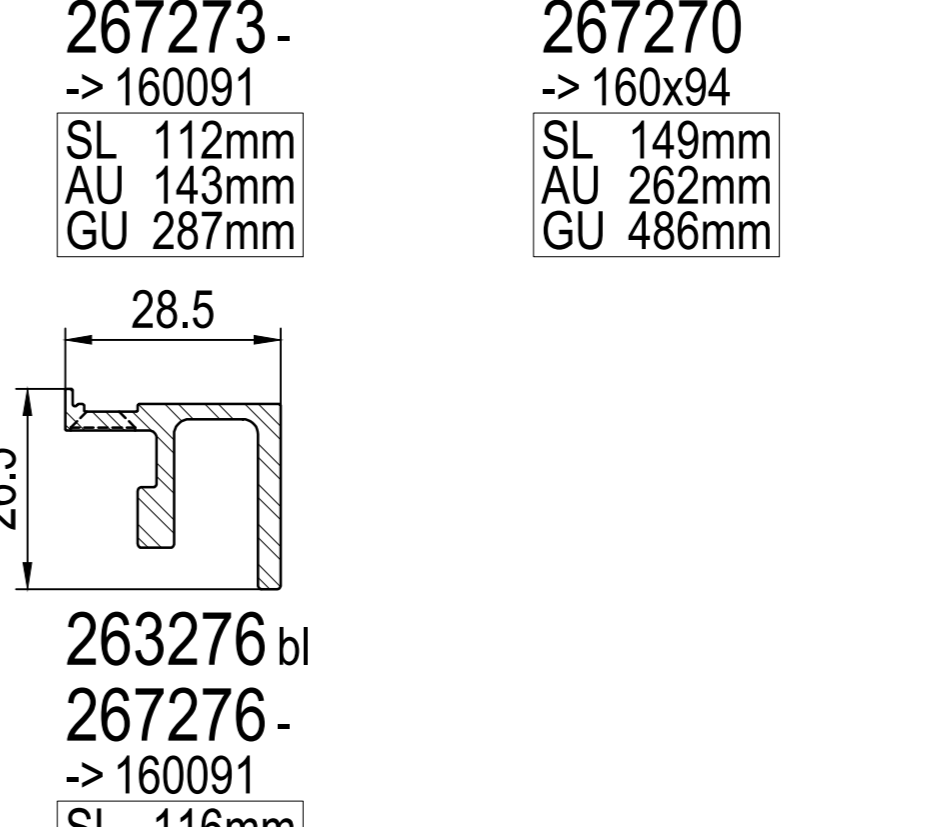
- IXI Gaskets (...)
- Repair gaskets
- 409291 bl
- 409284 bl
- 449251 bl
- 407291 pw
- 479025 bl
- 477025 pw
- 479015 bl
- 477015 pw
- 420250 wh
- 421250 br
- 423250 oc
- 429250 bl
- 449340 bl
- 447340 pw
- 449042 bl
- 447042 pw
- 449343 bl
- 447343 pw

- IXI Special accessories
- 469293 bl
- > 160091

-> Hautau, Maco, Winkhaus



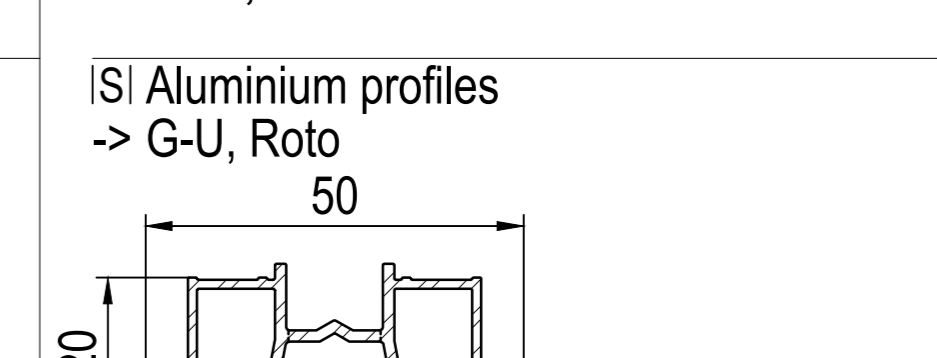
- SI Aluminium profiles
- > Hautau, Maco, Winkhaus
- 263273 bl
- 267273 -
- > 160091
- SL 112mm
- AU 143mm
- GU 287mm



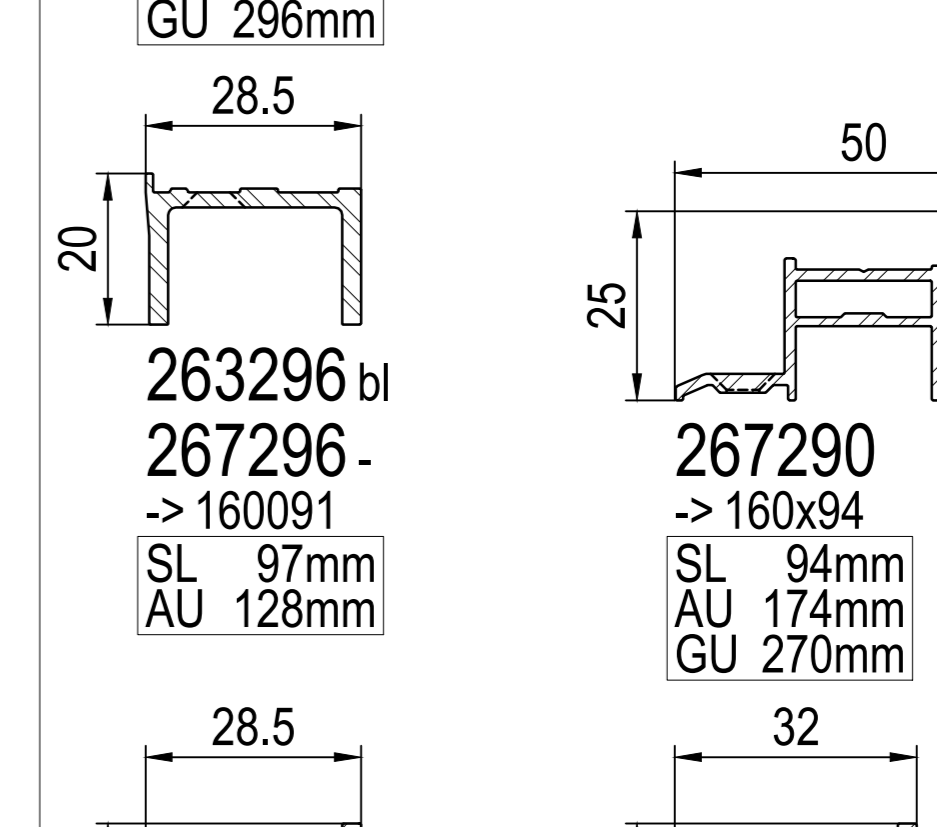
- SI Aluminium profiles
- > Hautau, Maco, Winkhaus
- 263276 bl
- 267276 -
- > 160091
- SL 116mm
- AU 147mm

- IXI Special accessories
- 466295 gr
- > 160091

-> G-U, Roto



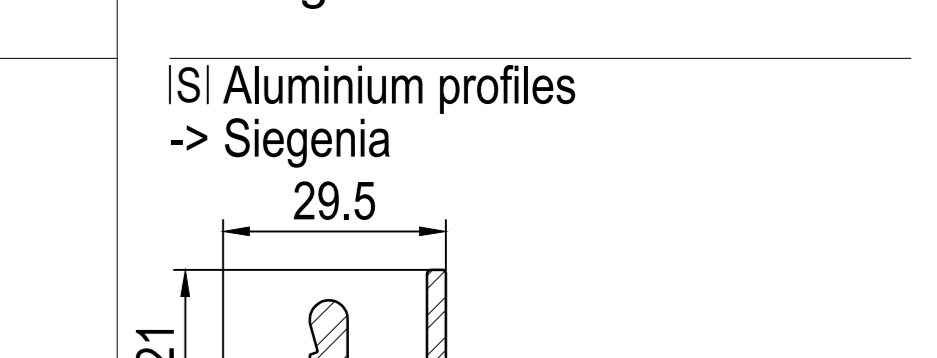
- SI Aluminium profiles
- > G-U, Roto
- 267292
- 267297 -> Roto pierced hole
- > 160x94
- SL 34mm
- AU 189mm
- GU 296mm



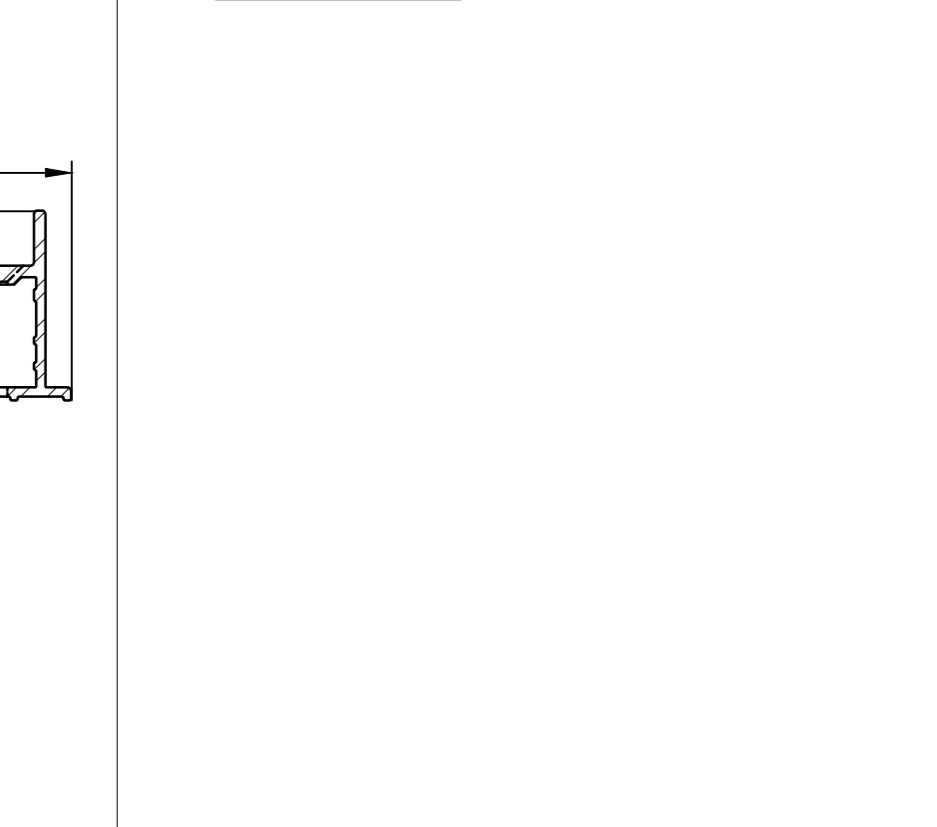
- SI Aluminium profiles
- > G-U, Roto
- 263296 bl
- 267296 -
- > 160091
- SL 97mm
- AU 128mm

- IXI Special accessories
- 466295 gr
- > 160091

-> Siegenia



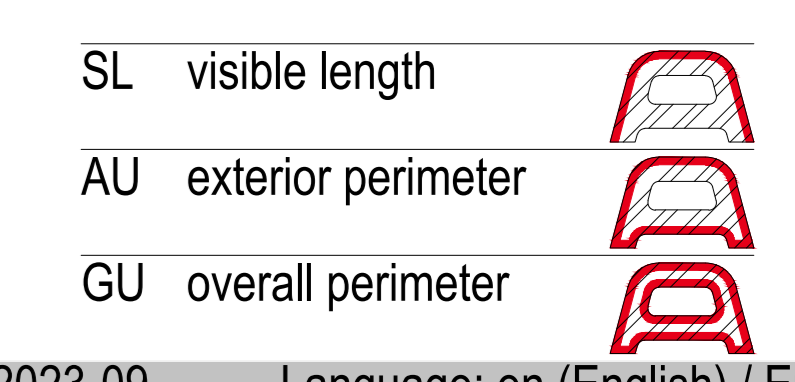
- SI Aluminium profiles
- > Siegenia
- 263287 bl
- 267287 -
- > 160091
- SL 92mm
- AU 144mm

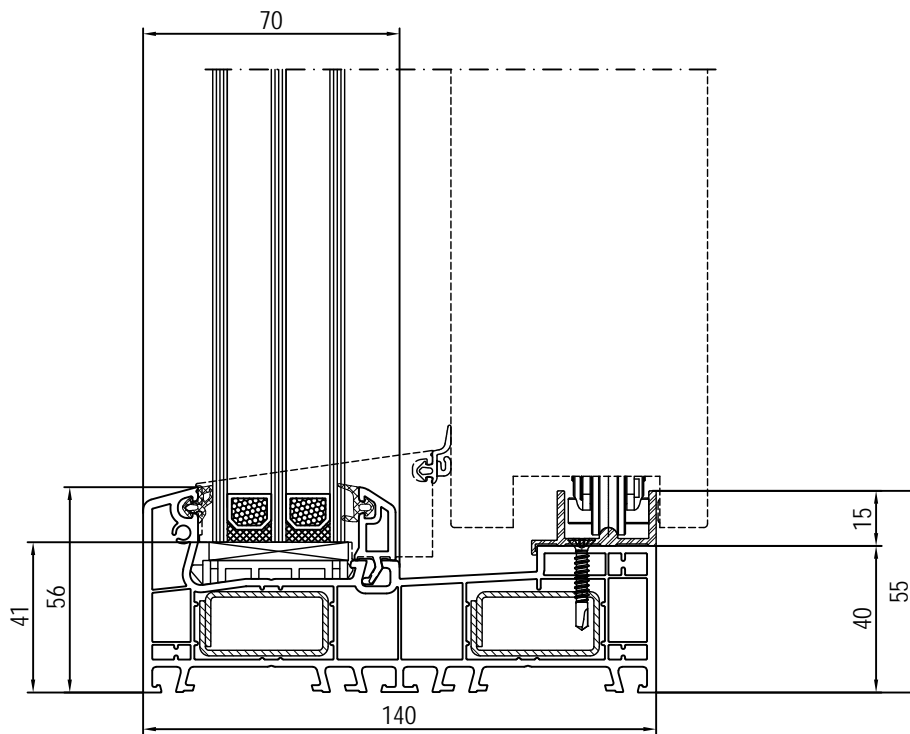
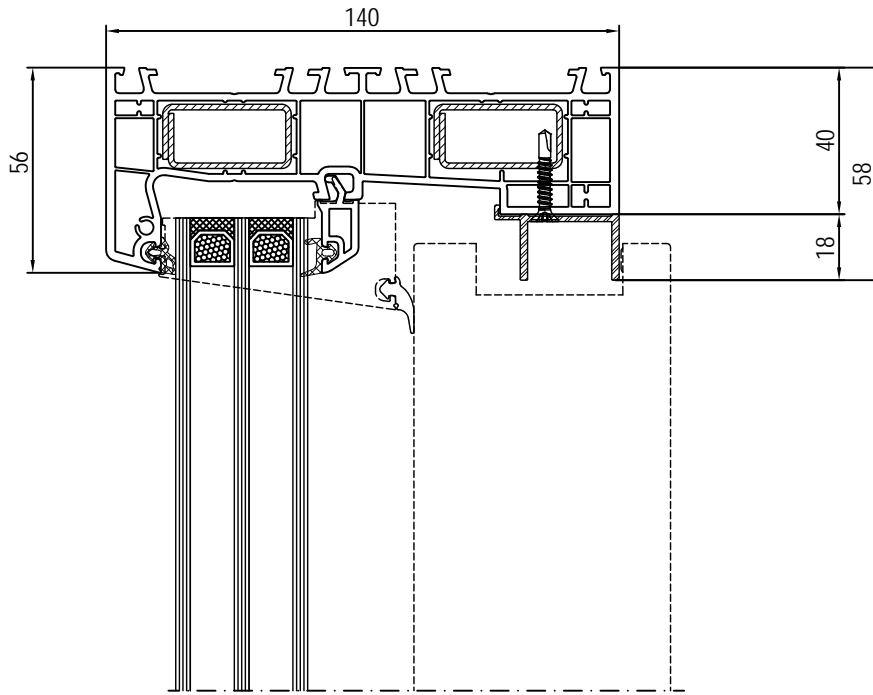


- SI Aluminium profiles
- > Siegenia
- 263295 bl
- 267295 -
- > 160091
- SL 74mm
- AU 105mm

- IXI Special accessories
- 466295 gr
- > 160091

- AD ~ Frame / Mullion
- 67 = Bonding of pane Option
- not laminated
- laminated
- > for
- (QL) Qube-line
- ye yellow
- gn green
- gr grey
- br brown
- oc ochre
- red red
- bl black
- pw papyrus-white
- wh white



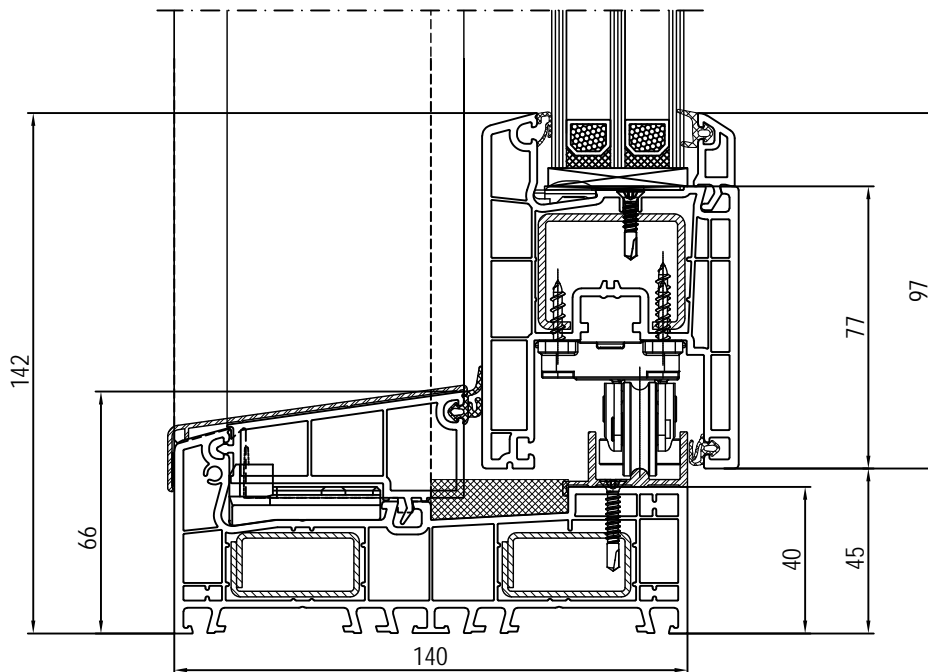
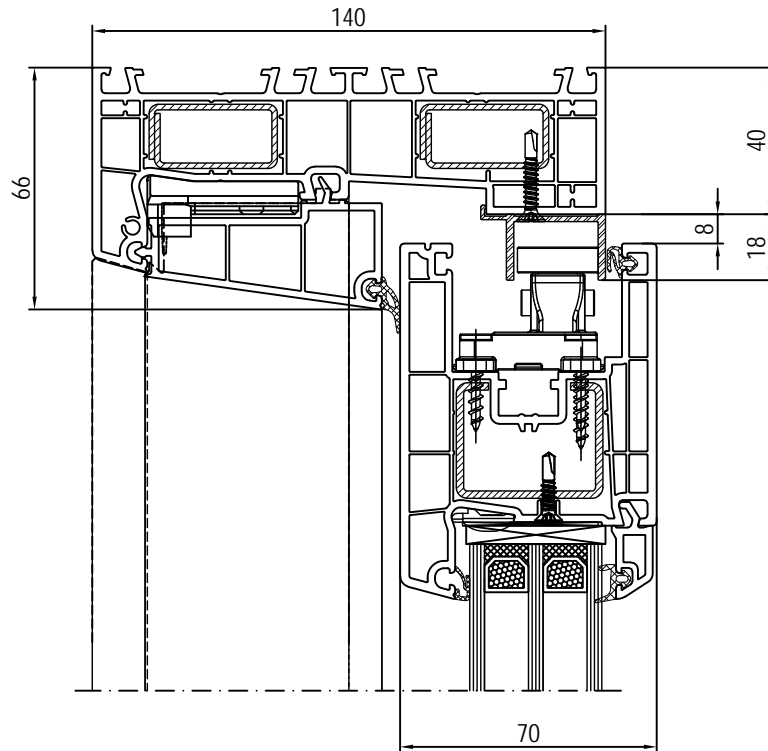


frame profile 140mm: 100x91
 sash profile 70mm: 100x94
 glazing bead: 120832



SMART-SLIDE

fixed sash



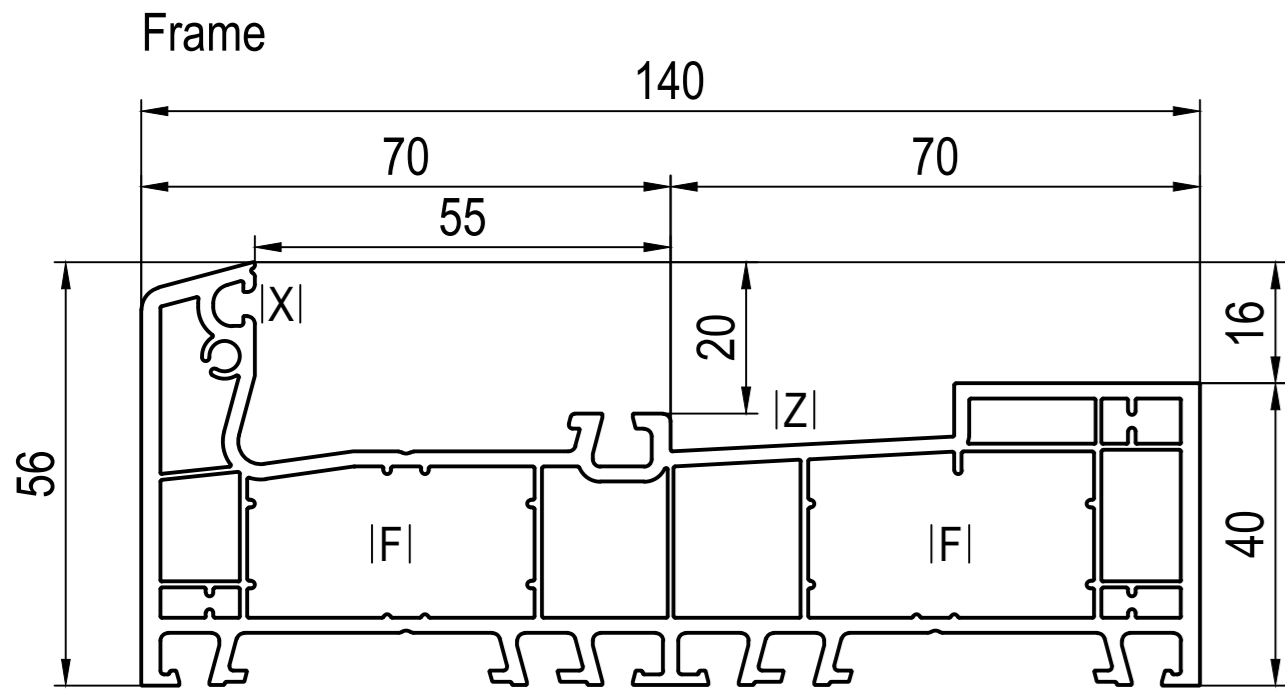
frame profile 140mm: 100x91
 sash profile 70mm: 100x94
 glazing bead: 120832



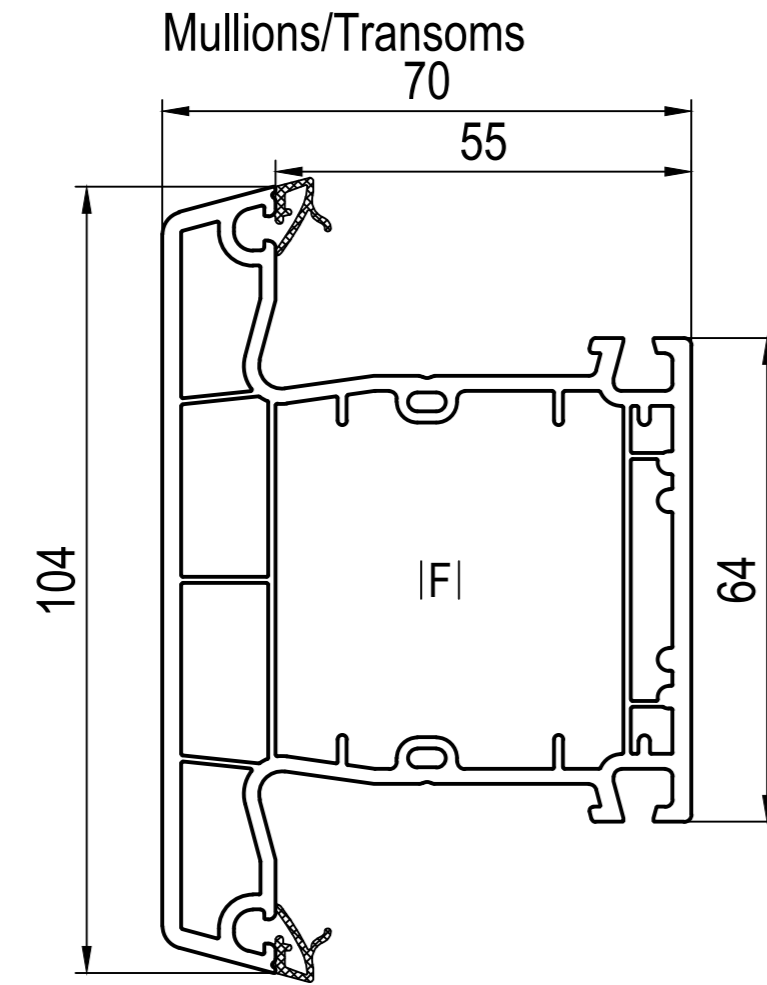
SMART-SLIDE

sliding sash

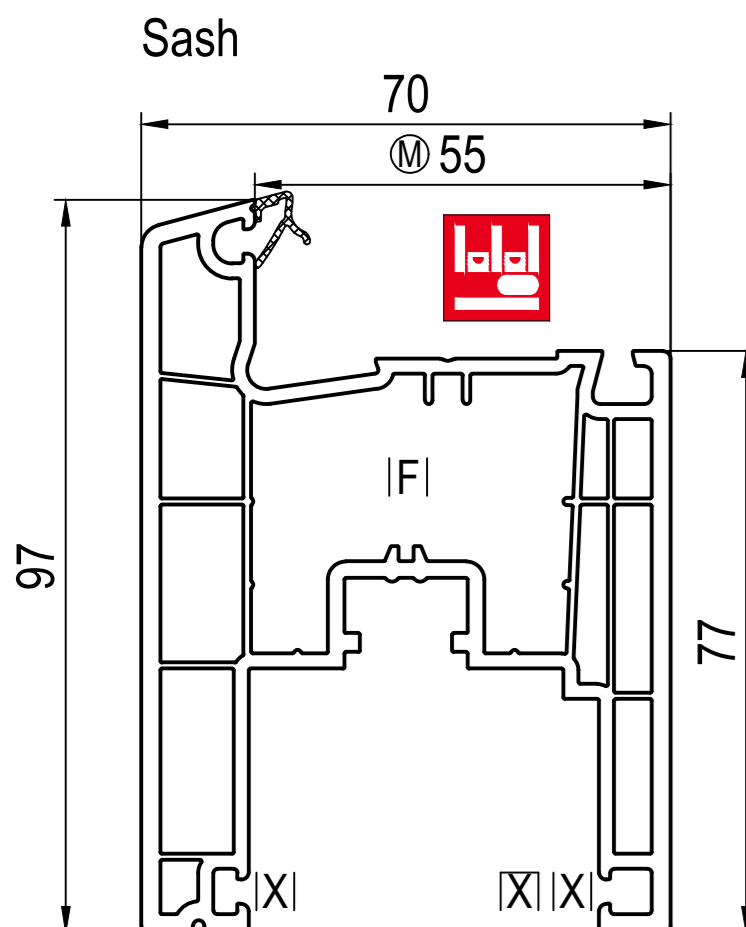
Main Profiles



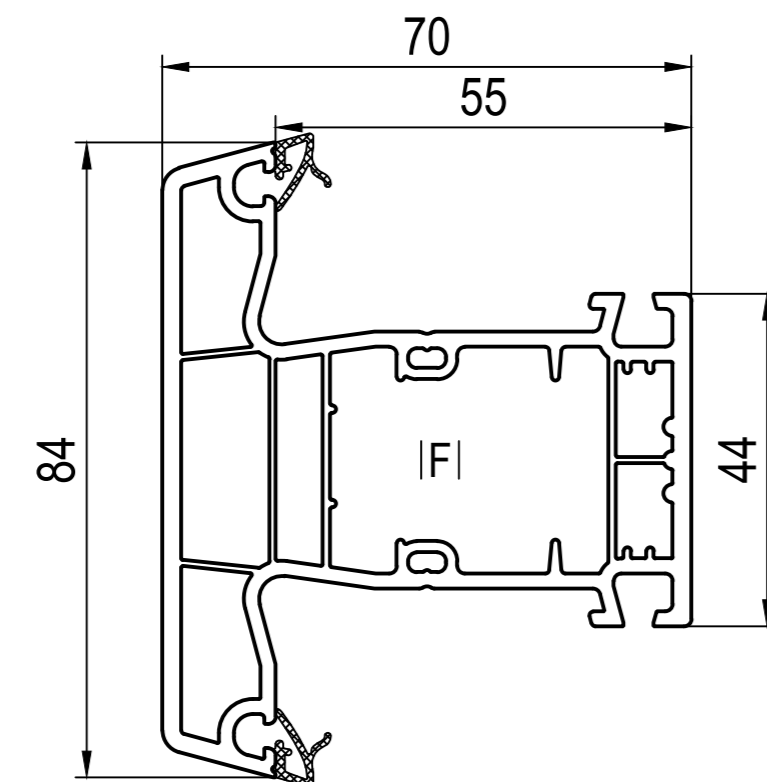
- 100091 (CL) AD
- AI 640301, 640320
- FI 229037
- OI 600991
- PI 209391
- QI 207291 -> 100091 + 100291
- XI 477025, 479025, 477015, 479015
- ZI 609291
- > Hautau, Maco, Winkhaus
- SI 207273, 207275, 207276
- > G-U, Roto
- SI 207293, 207295, 207296
- > Siegenia
- SI 207287



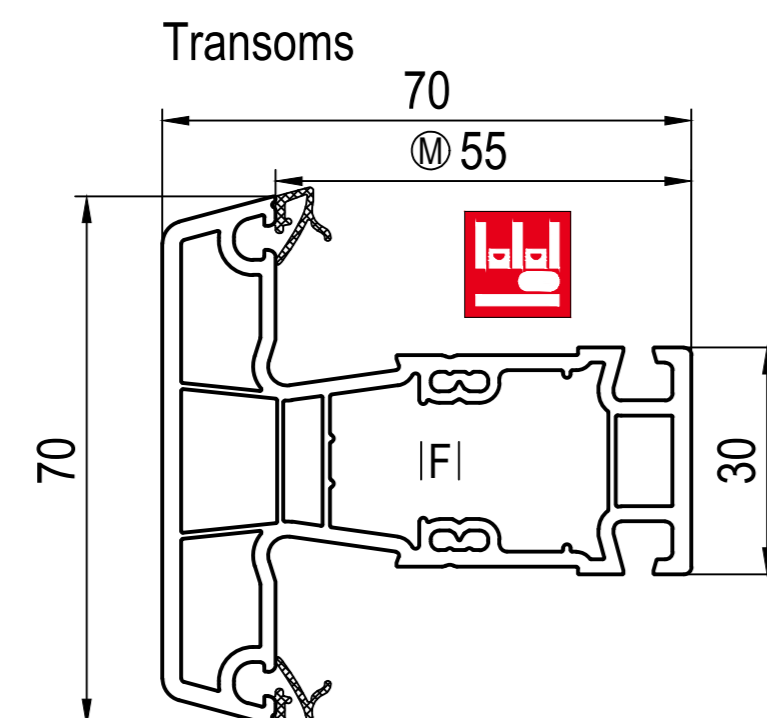
- 140x45 (CL) AD
- AI 640301, 640320
- DI 677133 ~140x4x...
- DI 647136, 677103 ~140x4x...
- OI 640901
- DI 647245 ~ 55
- DI 640046 ~ universal
- FI 249034, 249035, 249039
- PI 249343



- 100x94 (CL) 55
- AI 655251, 650252, 620250, 650250
- FI 209294
- J 642261, 642262, 642263, 646265, 646266
- PI 209394
- XI 409284
- > Hautau, Maco, Winkhaus
- SI 207270, 207297
- > G-U, Roto
- SI 207290, 207292, 207297
- XI 447340, 449340, 447042, 449042

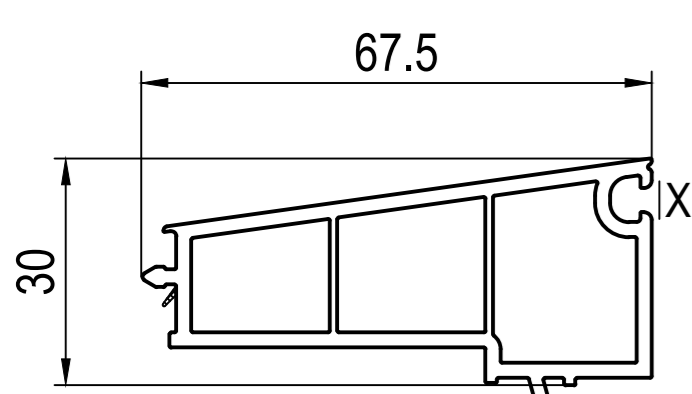


- 140x41 (CL) AD
- AI 640301, 640320
- DI 647131, 647132 ~140x4x...
- DI 647101, 647102 ~140x4x...
- OI 640900
- DI 647241 ~ 55
- DI 620046 ~ universal
- FI 229098, 229100, 229101
- PI 249341

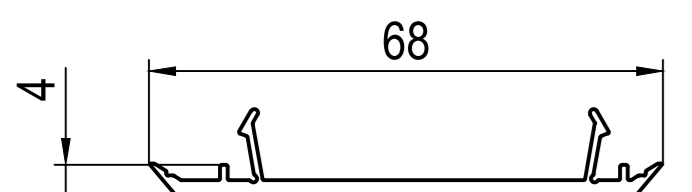


- 140x46 (CL) 55
- AI 655251, 650252, 620250, 650250
- DI 647146 ~ 55
- FI 249046
- J 642261, 642262, 642263, 646265, 646266

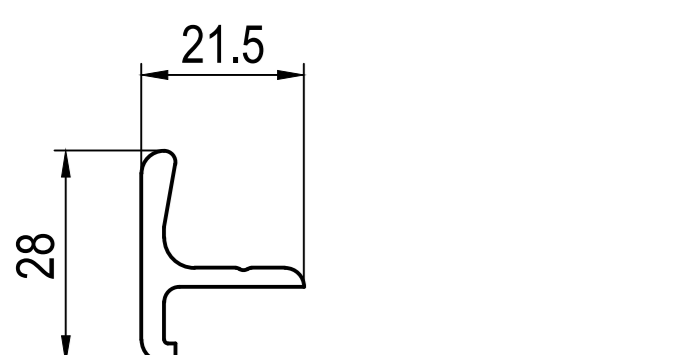
Additional Profiles



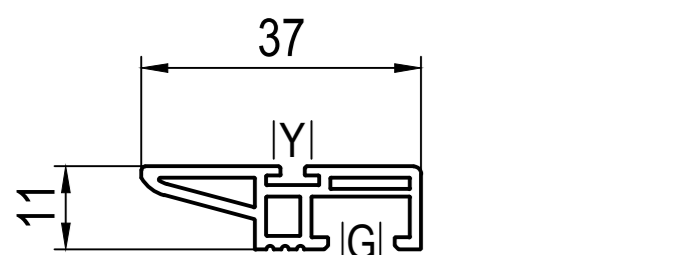
- 100291 (CL)
- > 100091, 140x41, 140x45
- PI 209392 + XI 457922, 459922
- QI 207291 -> 100091 + 100291
- XI 407291, 409291



- 100294 (CL)
- > 100x94



- 190231
- > 100x94
- > Hautau, Maco, Winkhaus
- > G-U, Roto



- 100253
- > 100x94
- GI 652923
- YI 449901
- > Siegenia

Accessories

- AI Spacer
- > AD
- 100091, 140x41, 140x45
- 4-42mm
- 4-38mm

- 640301 0mm
- 640320 5mm
- > 55
- 100x94, 140x46
- 4-42mm
- 4-20mm

- 650250 red -1mm
- 620250 red 1mm
- 31-73
- 40-71
- 4-35mm
- 4-38mm

- 650252 red 1mm
- 655251 gn 5mm
- 55-73
- 55-73

- DI Connector
- DI Connector without knobs
- Mullion
- > 140x41

- 100091, 140x41, 140x45
- DI 647131
- DI 647101
- DI 647132
- DI 647102
- 640900
- 640900

- DI -
- DI 647136
- DI 647133
- DI 647103
- DI 647103
- 640901
- 640901

- Transoms
- > 55
- 100x94, 140x46
- > 140x41
- > 140x45

- 35x20x1000mm
- 45x20x1000mm
- DI 620046 P
- DI 640046 P
- > 140x41
- 2x -> 140x45

- FI Reinforcements (...)= lx
- (5.7) 209294 s=2.0
- > 100x94
- (4.1) 229098 s=2.5
- > 140x41

- (2.5) 229037 s=1.5
- > 100091
- (2.0) 229100 s=1.25
- > 140x41

- (6.1) 249034 s=1.25
- (9.2) 249035 s=2.0
- (13.4) 249039 s=2.5
- > 140x45
- (2.0) 249046 s=1.5
- > 140x46

- OI Auxiliary parts
- 640900
- 640901
- 600991
- > DI 647131, 647132
- > DI 647101, 647102
- > DI 647136, 677103
- > 100091

- J Bonding of pane
- > 55
- 100x94, 140x46
- H [mm]
- 640033 red 3
- 640034 ye 4
- 640035 gn 5

- 642261 bl >45kg
- 642263 bl >45kg
- 642262 bl 3.5mm <45kg
- 646265 gr <45kg
- 646266 gr <45kg

- IKI Drain slot caps / Drainage profile
- Set
- 600290
- ~ Ø5x35mm
- 620014
- Ø10x11mm
- > IPI aluskin

- IPI aluskin Aluminium shells
- 209392 (CL)
- > 100291 (CL)
- + XI 457922, 459922
- SL 72mm
- AU 141mm

- 209391 (CL) 2
- > 100091 (CL)
- SL 79mm
- AU 199mm
- 209394 (CL) 2
- > 100x94 (CL)
- SL 127mm
- AU 255mm

- XI Gaskets
- 409291 bl
- 407291 pw
- > 100291
- 409284 bl
- > 100x94
- 449251 bl
- > pw

- 479025 bl
- 477025 pw
- Standard
- > 100x94, 140x41, 140x45, 140x46
- TPE
- 479015 bl
- 477015 pw
- > 100x94, 140x41, 140x45, 140x46
- 420250 wh
- 421250 br
- 423250 oc
- 429250 bl

- YI Brush seals
- 449901 gr
- > 100253
- SI 207297
- ZI Special accessories
- 609291 bl
- > 100091

- QI Aluminium step protection
- 81.5
- 207291 (CL)
- > 100091 + 100291
- SL 102mm
- AU 205mm

- SI Aluminium profiles
- Hautau, Maco, Winkhaus
- 207273
- > 100091
- SL 119mm
- AU 152mm
- GU 213mm

- 207270
- > 100x94
- SL 193mm
- AU 257mm
- GU 488mm

- 207297
- > 100x94
- YI 449901
- SL 34mm
- AU 46mm

- 207298
- SL 43mm
- AU 170mm
- 207276
- > 100091
- SL 121mm
- AU 159mm

- XI Gaskets
- 409291 bl
- 407291 pw
- > 100291
- 409284 bl
- > 100x94
- 449251 bl
- > pw

- 479025 bl
- 477025 pw
- Standard
- > 100x94, 140x41, 140x45, 140x46
- TPE
- 479015 bl
- 477015 pw
- > 100x94, 140x41, 140x45, 140x46
- 420250 wh
- 421250 br
- 423250 oc
- 429250 bl

- YI Brush seals
- 449901 gr
- > 100253
- SI 207297

- ZI Special accessories
- 609291 bl
- > 100091

- XI Gaskets
- > IPI aluskin
- 459951 bl
- 449986 bl
-
- pw 447986 pw
- > Glazing
- > 100091, 100x94, 140x41, 140x45, 140x46

- 459922 bl
- 457922 pw
- > 100291
- + IPI 209392

-> Hautau, Maco, Winkhaus

- SI Aluminium profiles
- Hautau, Maco, Winkhaus
- 207273
- > 100091
- SL 119mm
- AU 152mm
- GU 213mm

- 207270
- > 100x94
- SL 193mm
- AU 257mm
- GU 488mm

- 207297
- > 100x94
- YI 449901
- SL 34mm
- AU 46mm

- 207298
- SL 43mm
- AU 170mm
- 207276
- > 100091
- SL 121mm
- AU 159mm

- XI Gaskets
- 409291 bl
- 407291 pw
- > 100291
- 409284 bl
- > 100x94
- 449251 bl
- > pw

- 479025 bl
- 477025 pw
- Standard
- > 100x94, 140x41, 140x45, 140x46
- TPE
- 479015 bl
- 477015 pw
- > 100x94, 140x41, 140x45, 140x46
- 420250 wh
- 421250 br
- 423250 oc
- 429250 bl

- YI Brush seals
- 449901 gr
- > 100253
- SI 207297

- ZI Special accessories
- 609291 bl
- > 100091

-> G-U, Roto

- SI Aluminium profiles
- > G-U, Roto
- 207292
- > 100x94
- SL 78mm
- AU 192mm
- GU 294mm

- 207296
- > 100091
- SL 106mm
- AU 143mm

- 207290
- > 100x94
- SL 89mm
- AU 162mm
- GU 209mm

- 207295
- > 100091
- SL 72mm
- AU 109mm

- 207293
- > 100091
- SL 81mm
- AU 126mm

- XI Gaskets
- > G-U, Roto
- 449340 bl
- 447340 pw
- Standard
- > 100x94
- TPE
- 449042 bl
- 447042 pw
- > 100x94
- 449343 bl
- 447343 pw
- > 100x94

- GI Nipple screw / Clip
- > Siegenia
- 652923
- > 100253

-> Siegenia

- SI Aluminium profiles
- > Siegenia
- 207287
- > 100091
- SL 92mm
- AU 138mm

- 207296
- > 100091
- SL 106mm
- AU 143mm

- 207290
- > 100x94
- SL 89mm
- AU 162mm
- GU 209mm

- 207295
- > 100091
- SL 72mm
- AU 109mm

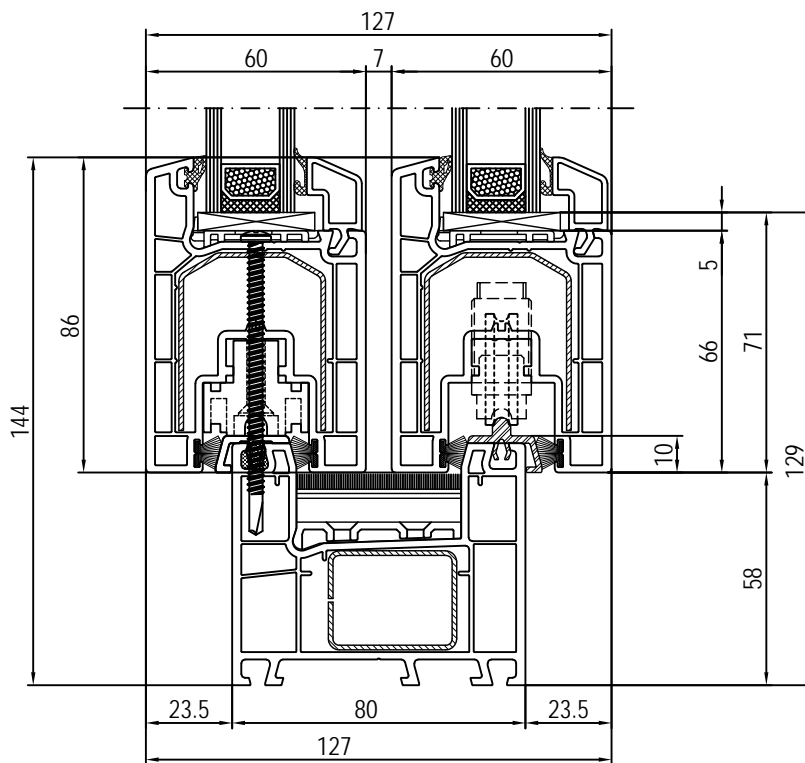
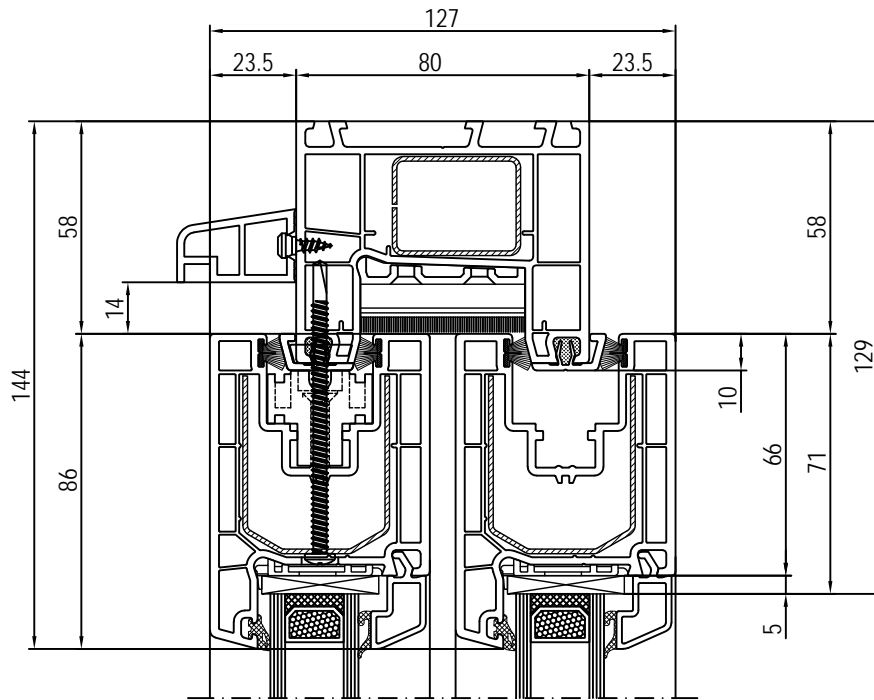
- 207293
- > 100091
- SL 81mm
- AU 126mm

- XI Gaskets
- > G-U, Roto
- 449340 bl
- 447340 pw
- Standard
- > 100x94
- TPE
- 449042 bl
- 447042 pw
- > 100x94
- 449343 bl
- 447343 pw
- > 100x94

- GI Nipple screw / Clip
- > Siegenia
- 652923
- > 100253

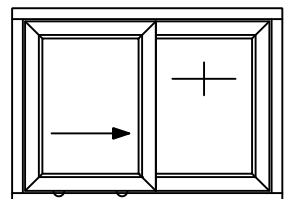
- AD ~ Frame / Mullion
- 55 = Bonding of pane Option
- not laminated
- laminated
- > for
- (CL) Classic-line
- ye yellow
- gn green
- br brown
- oc ochre
- red red
- bl black
- pw papyrus-white
- wh white

- 1)
- 2)
- SL visible length
- AU exterior perimeter
- GU overall perimeter



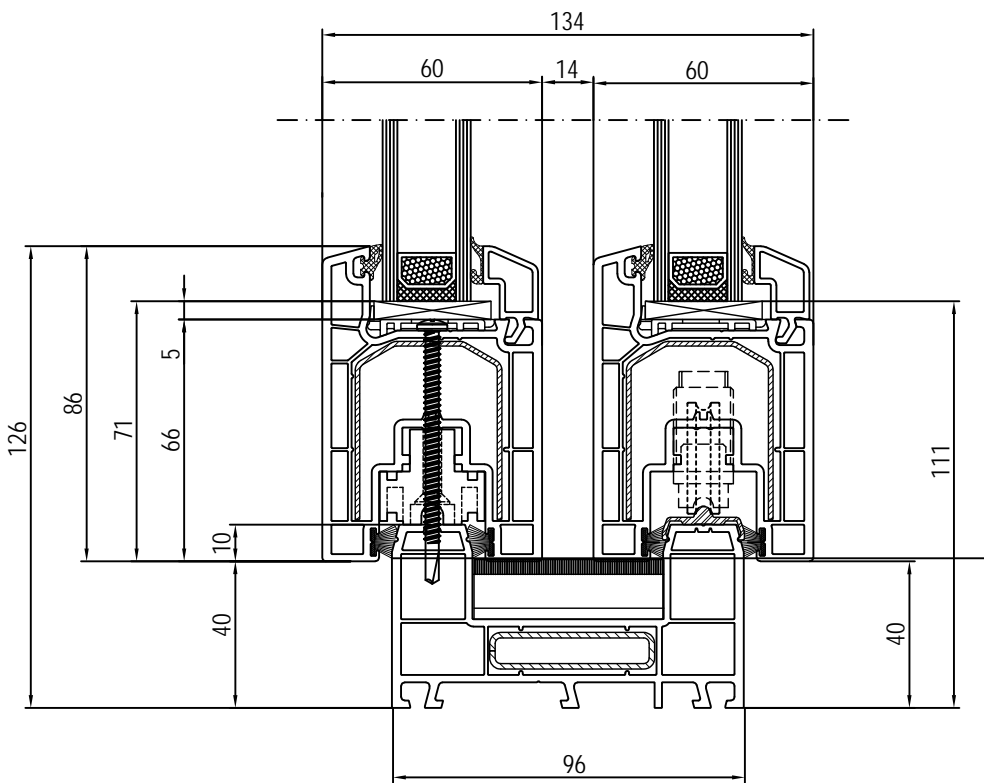
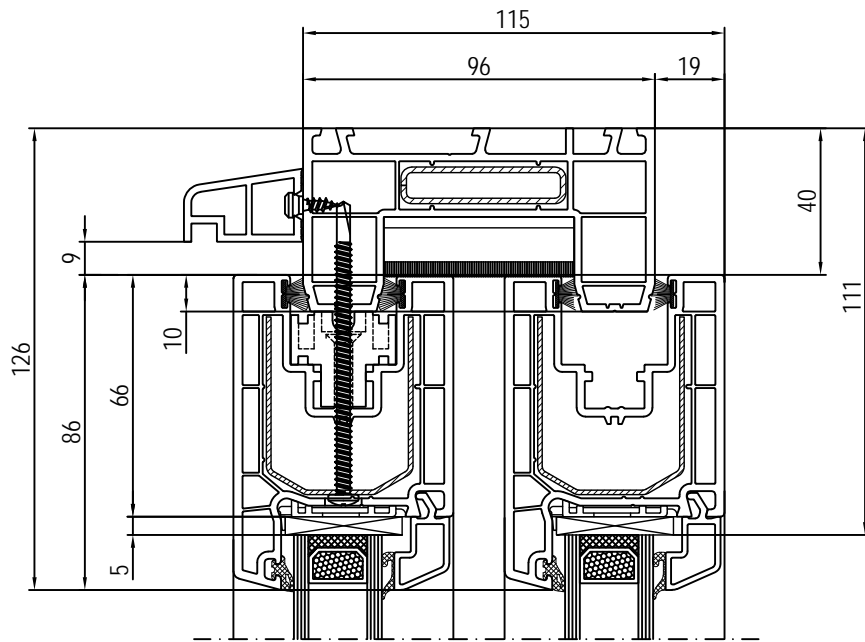
frame profile 140mm: 100x90
 sash profile 70mm: 100x92
 glazing bead: 140853

Schema A



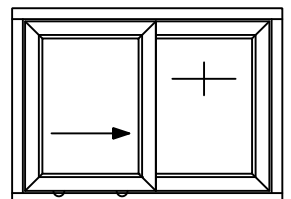
Multi-sliding-80

vertical section

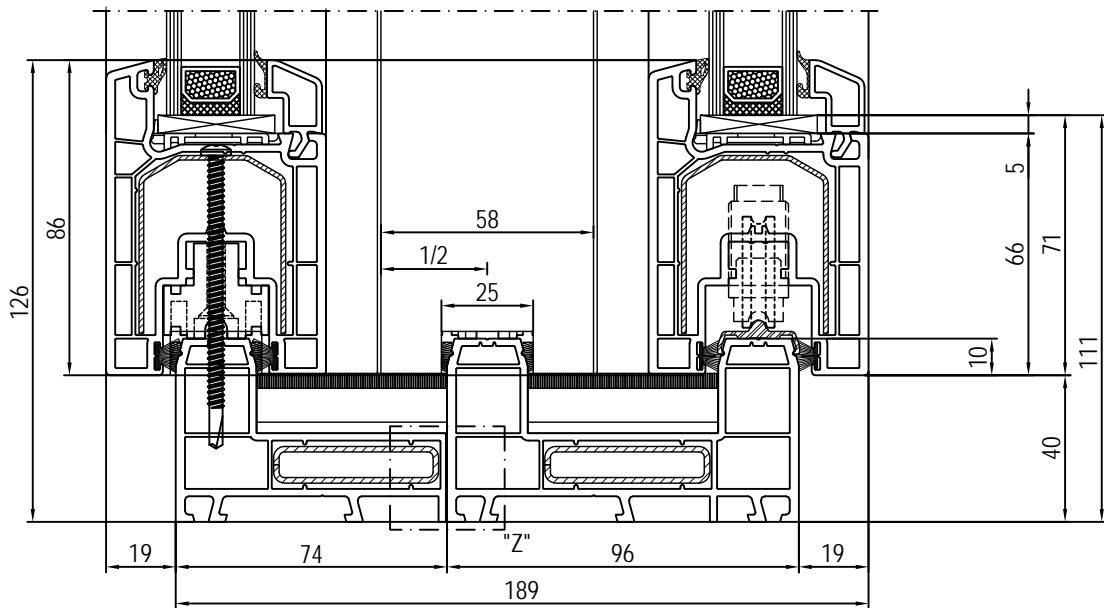
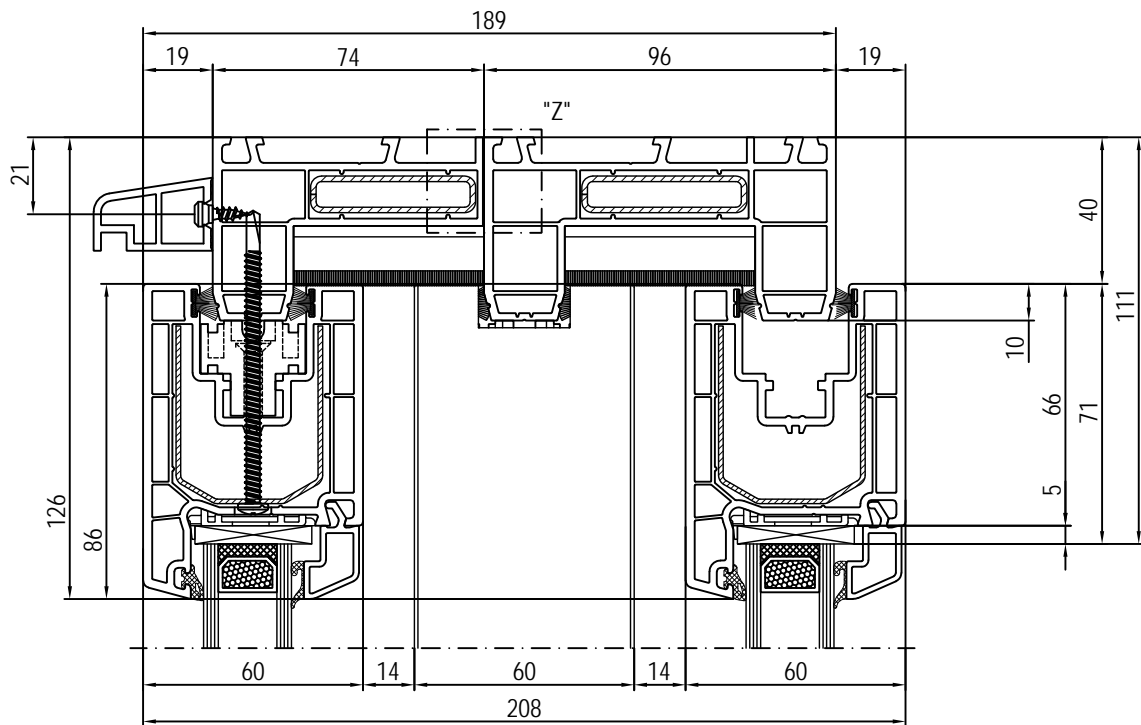


frame profile 140mm: 100x97
 sash profile 70mm: 100x92
 glazing bead: 140853

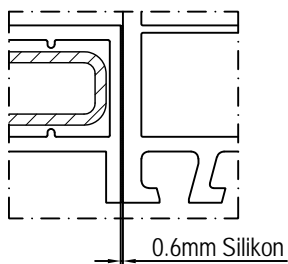
Schema A



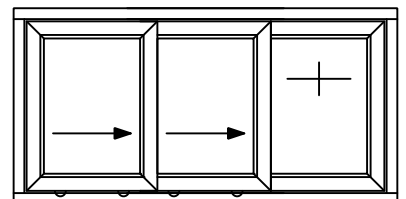
Multi-sliding-96
 vertical section



"Z"



Schema An

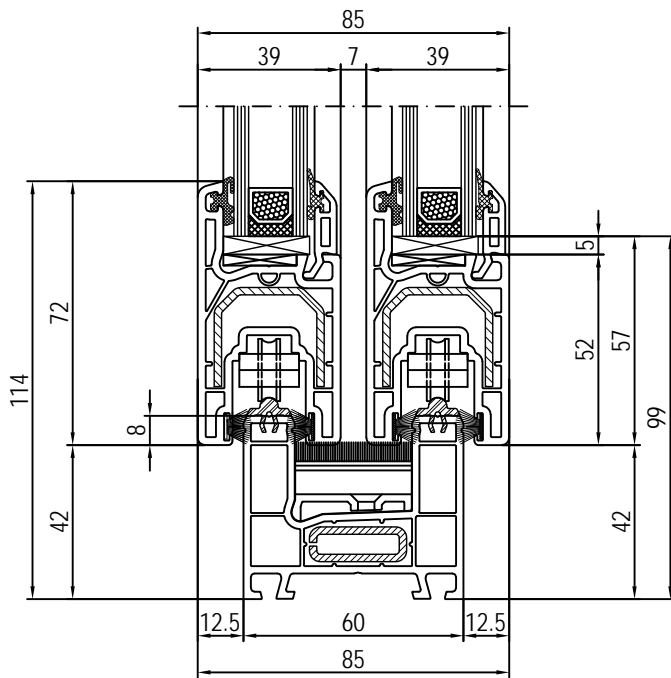
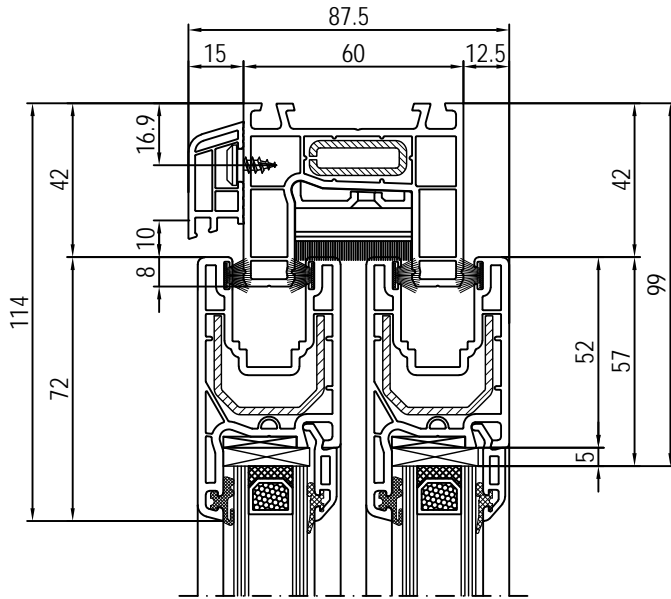


frame profiles 170mm: 100097+100098
 sash profile 70mm: 100x92
 glazing bead: 140853



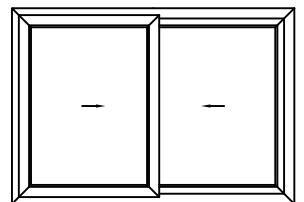
Multi-sliding - 96 + 74

vertical section



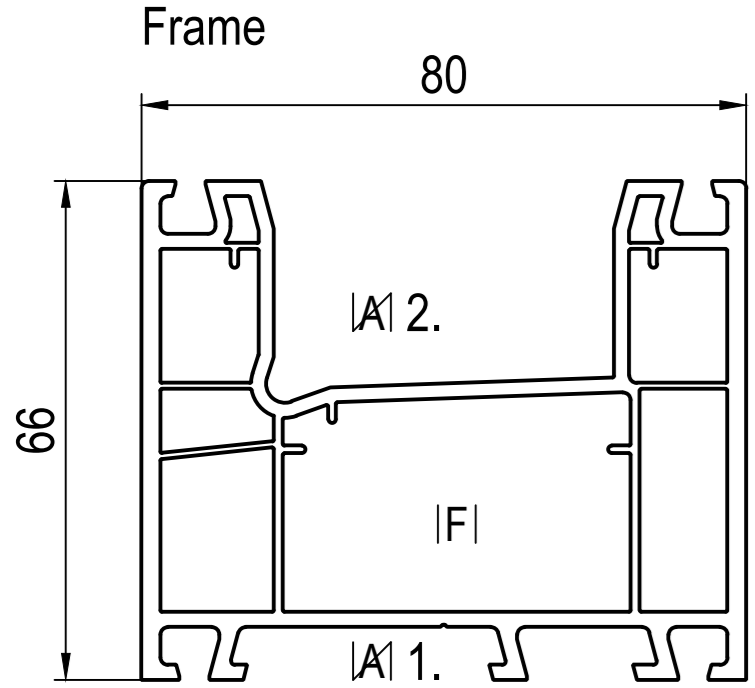
frame profile 140mm: 100x69
 sash profile 70mm: 100x72
 glazing bead: 140131

Schema D



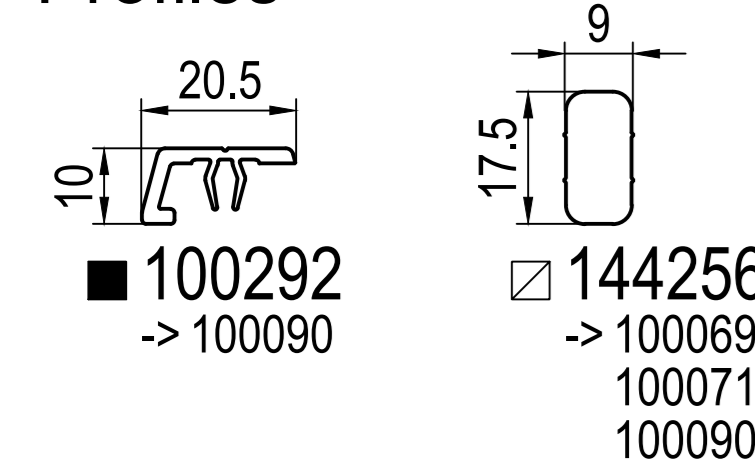
Easy-slide
 vertical section

multi-slide



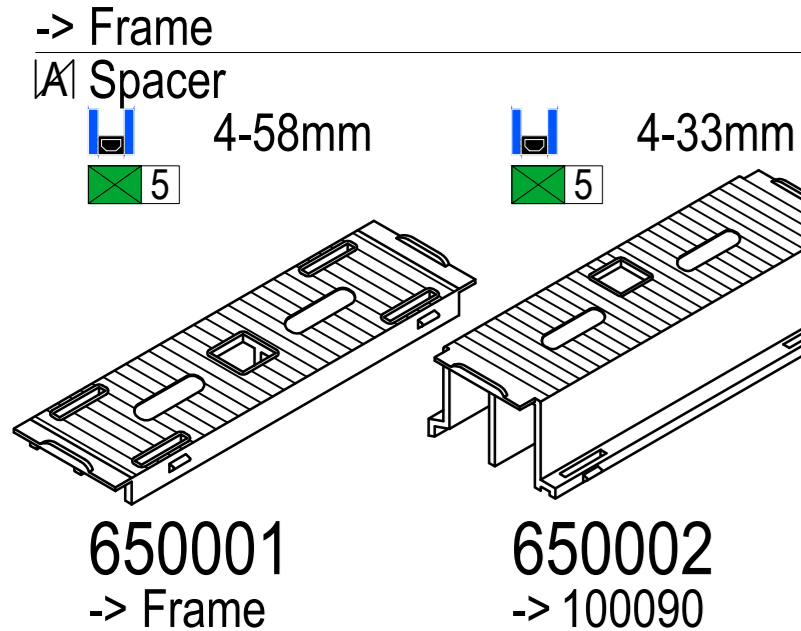
■ 100090 (CL)
IA1 1. 650001, 2. 650002
IF1 229023, 229024, 229026, 229029, 229030, 229102, 229103, 249026
IS1 207090, 250340
IZ1 600090

Additional Profiles



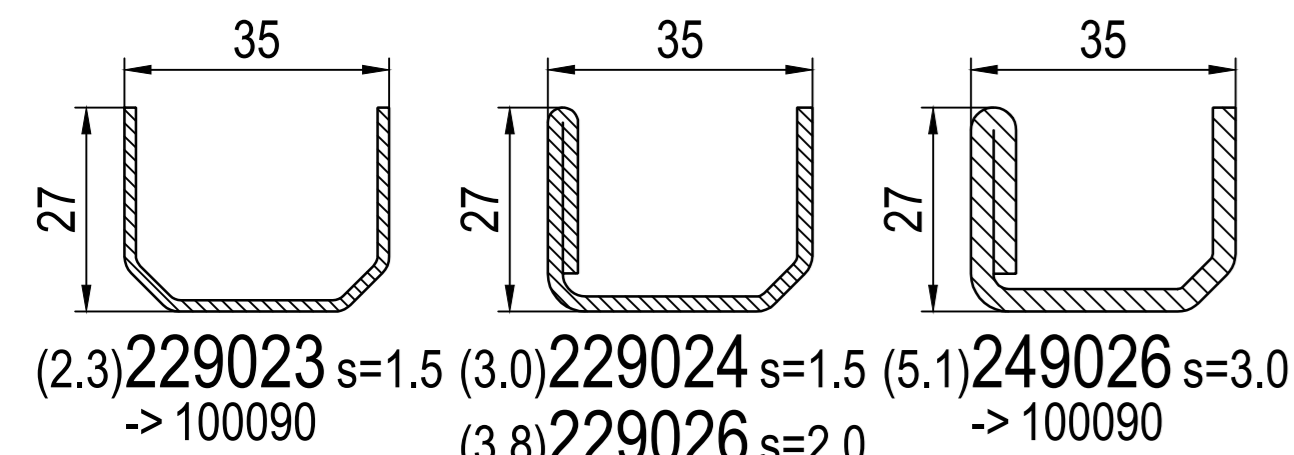
■ 100292 -> 100090
□ 144256 -> 100069, 100071, 100090

Accessories

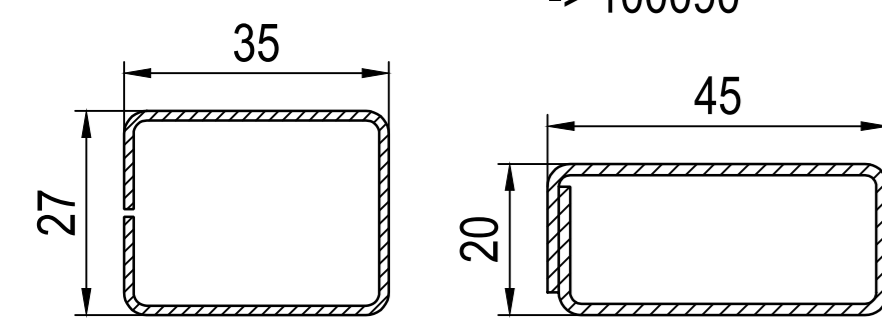


650001 -> Frame
650002 -> 100090

IF1 Reinforcements (...) = lx

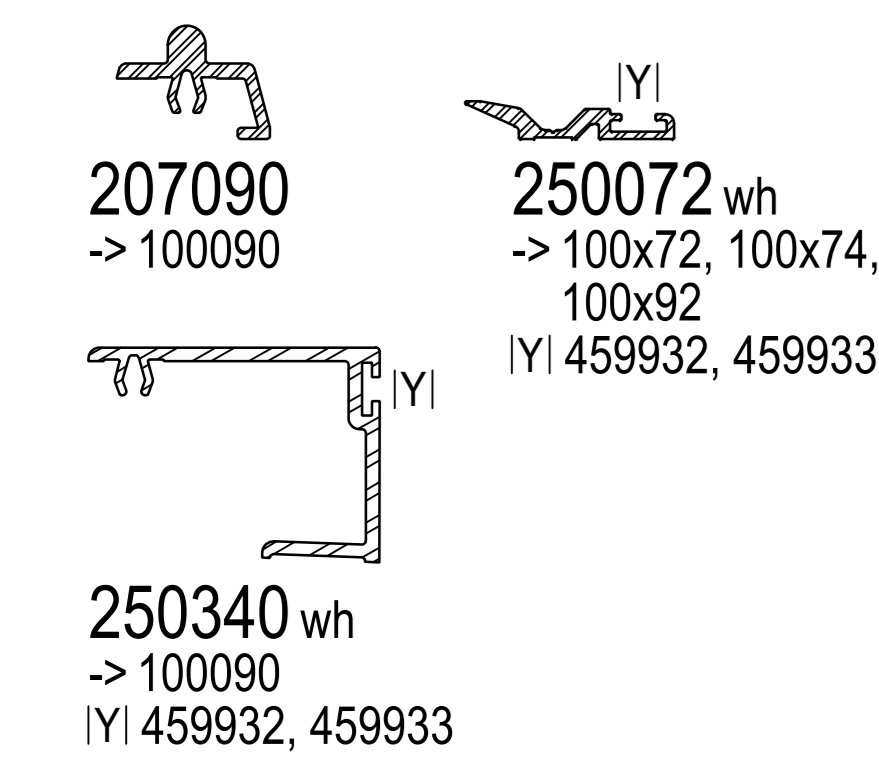


(2.3) 229023 s=1.5 -> 100090
(3.0) 229024 s=1.5 (5.1) 249026 s=3.0 -> 100090
(3.8) 229026 s=2.0 -> 100090



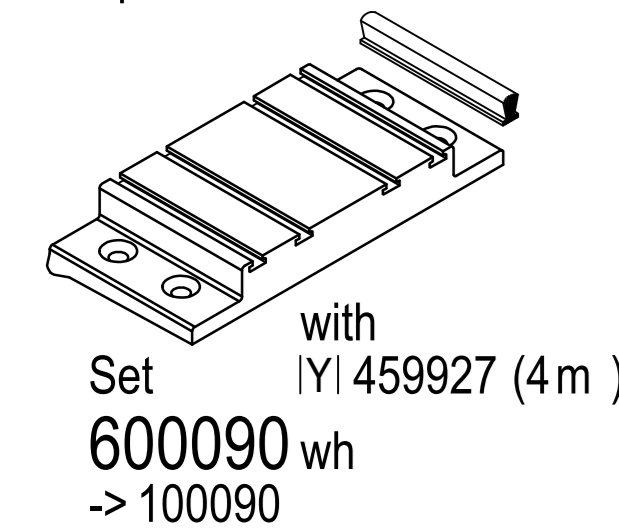
(2.5) 229029 s=1.25 (5.1) 229102 s=1.5
(3.7) 229030 s=2.0 (7.3) 229103 s=2.5 -> 100090

IS1 Aluminium profiles



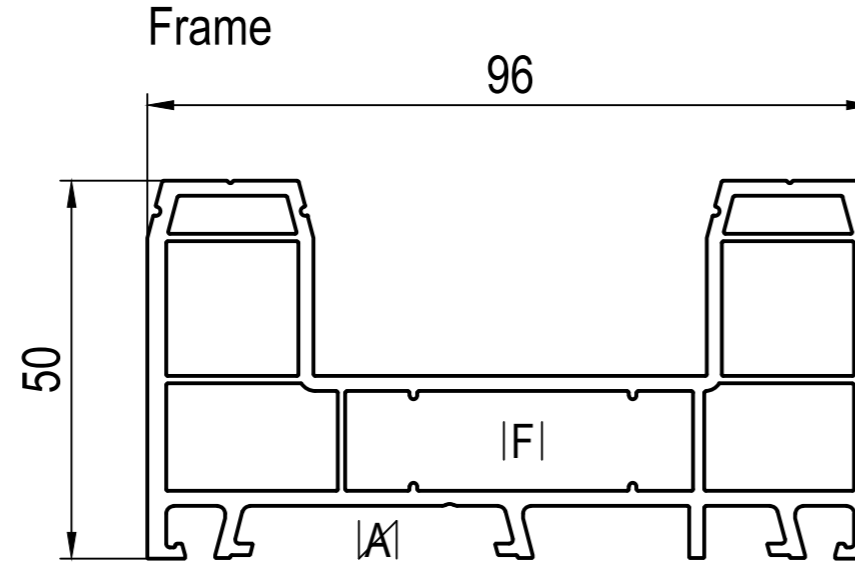
207090 -> 100090
250072 wh -> 100x72, 100x74, 100x92
YI 459932, 459933
250340 wh -> 100090
YI 459932, 459933

IZ1 Special accessories

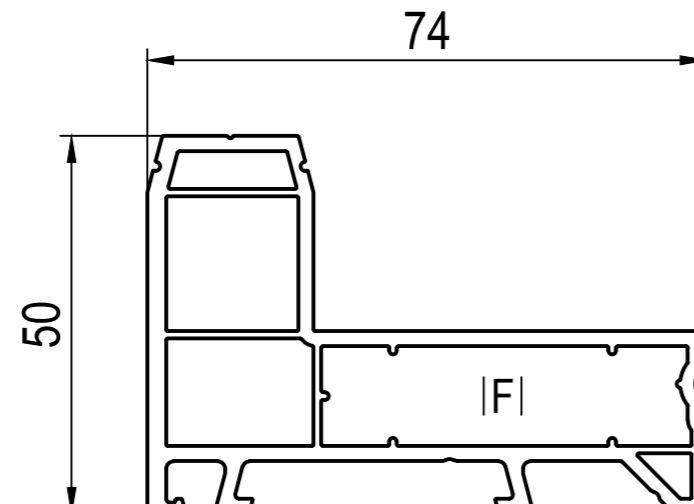


Set with YI 459927 (4 m)
600090 wh -> 100090

multi-slide

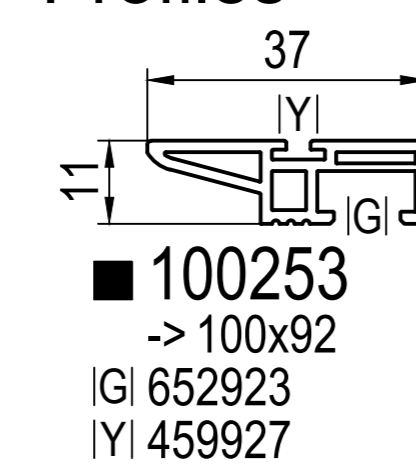


■ 100097 (CL)
IA1 650001
IF1 209121
IS1 207120, 200122
IZ1 600100
Option IUI 207125
IVI 606125



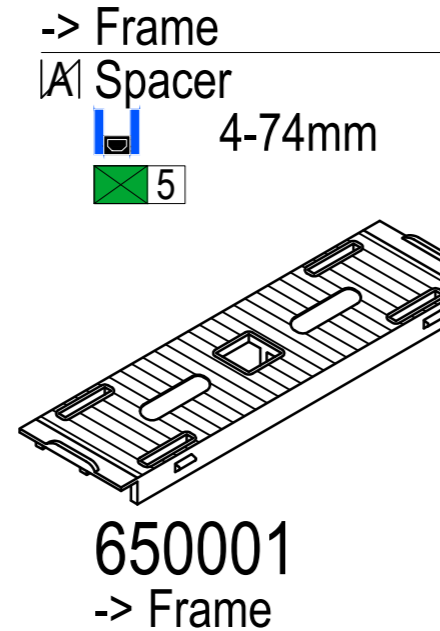
■ 100098 (CL)
IF1 209121
IS1 207120, 200122
IZ1 600100
Option IUI 207124

Additional Profiles



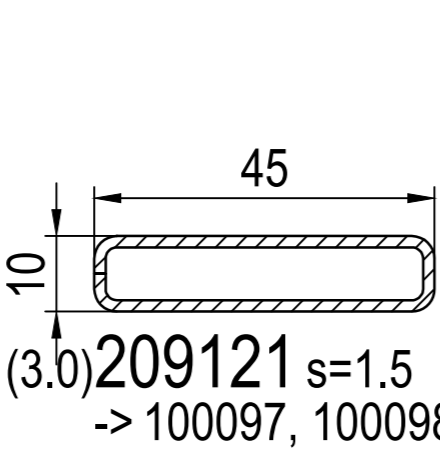
■ 100253 -> 100x92
GI 652923
YI 459927

Accessories



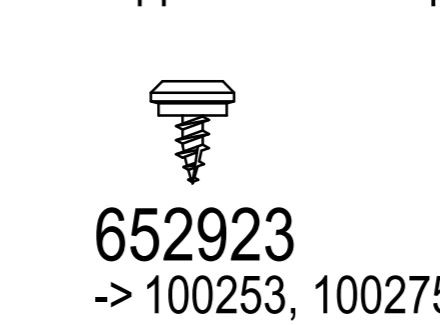
650001 -> Frame

IF1 Reinforcements (...) = lx



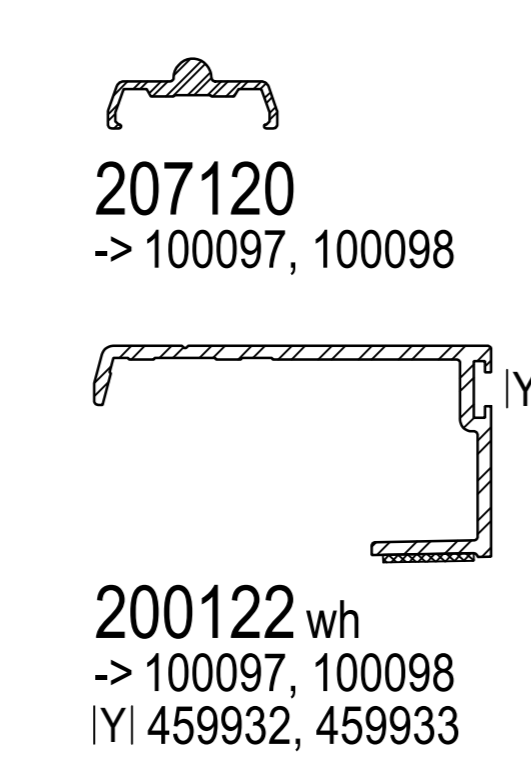
(3.0) 209121 s=1.5 -> 100097, 100098

GI Nipple screw / Clip



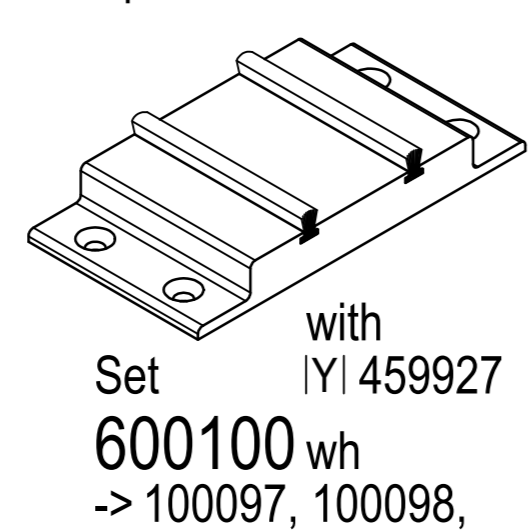
652923 -> 100253, 100275

IS1 Aluminium profiles



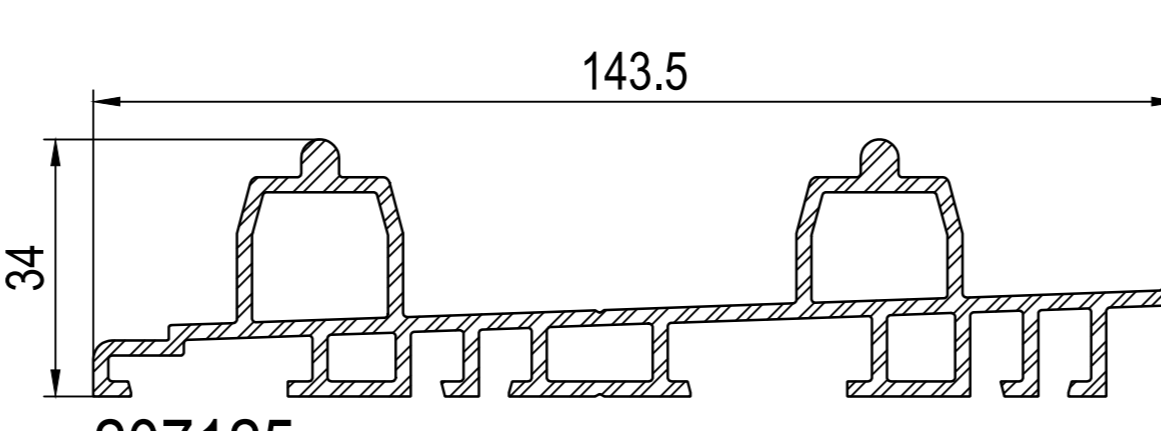
207120 -> 100097, 100098
200122 wh -> 100097, 100098
YI 459932, 459933

IZ1 Special accessories

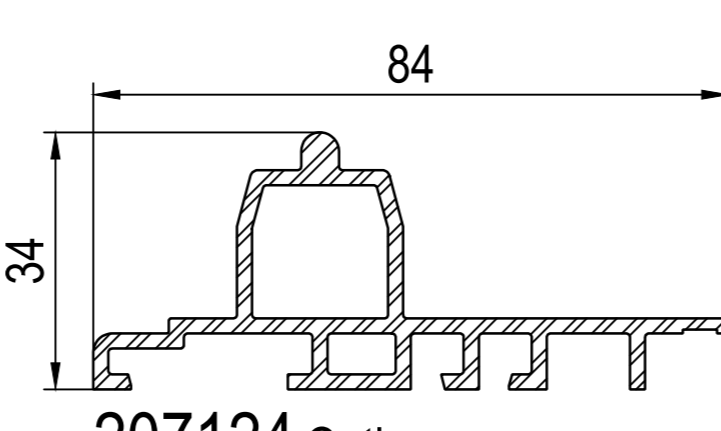


Set with YI 459927
600100 wh -> 100097, 100098, 207125, 207124

IUI Aluminium threshold

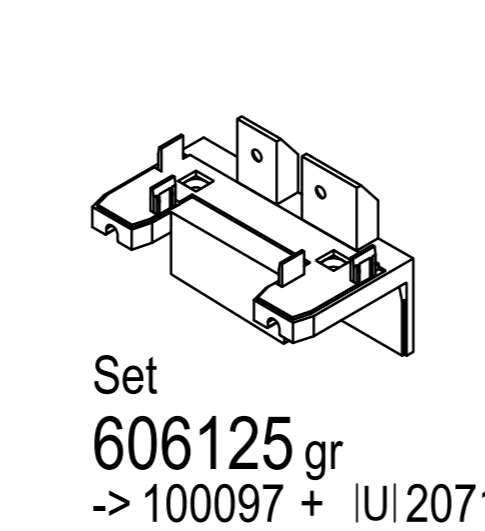


207125 Option -> 100097
IVI 606125
IZ1 600100



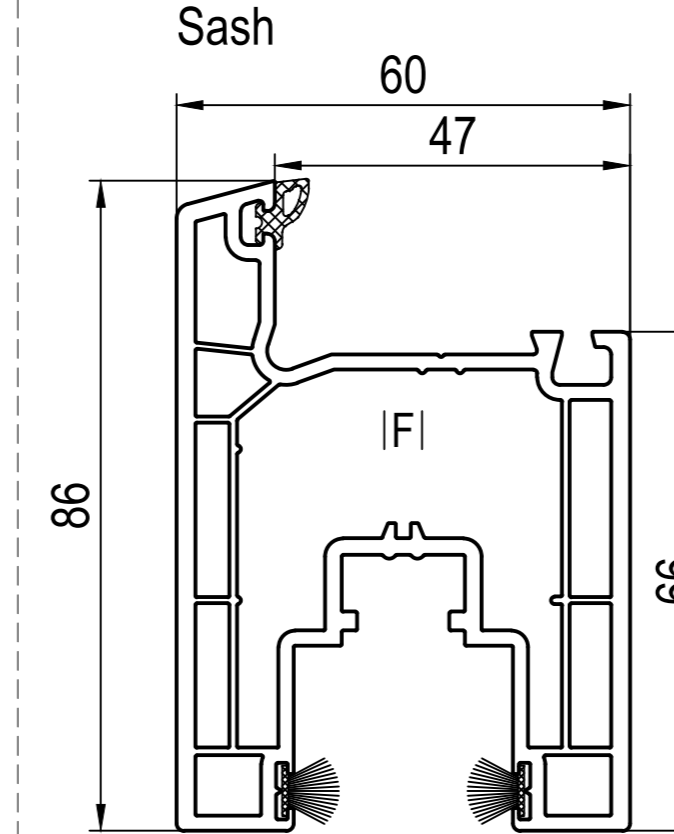
207124 Option -> 100098
YI 459932, 459933
IZ1 600100

IVI Connection for threshold



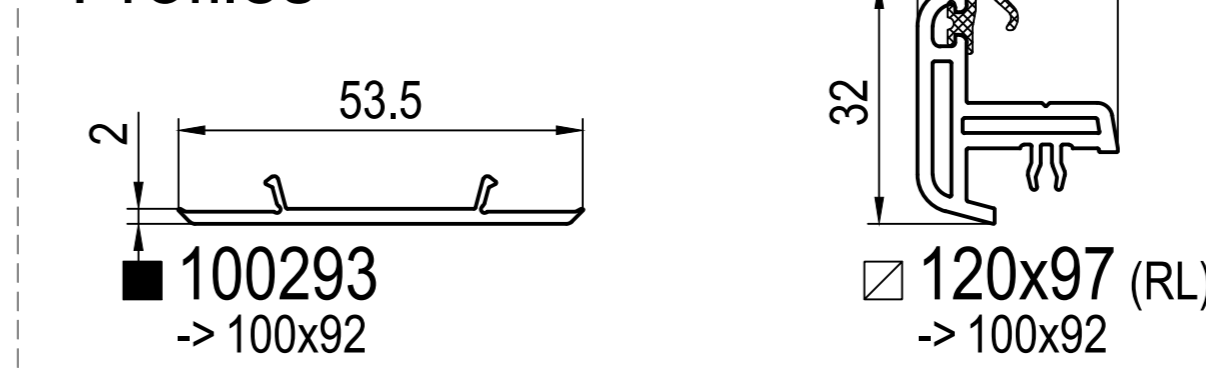
Set 606125 gr -> 100097 + IUI 207125

multi-slide



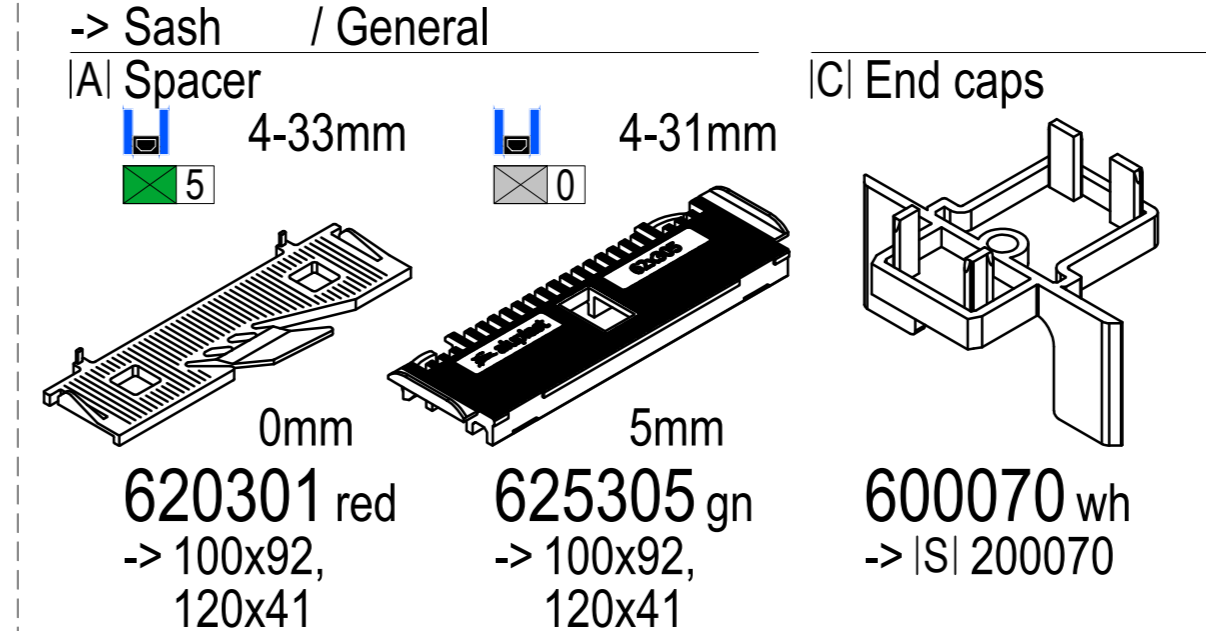
■ 100x92 (CL)
IA1 620301, 625305
IF1 209192, 209193
IS1 200070
IZ1 659946, 600094, 600092, 600098

Additional Profiles



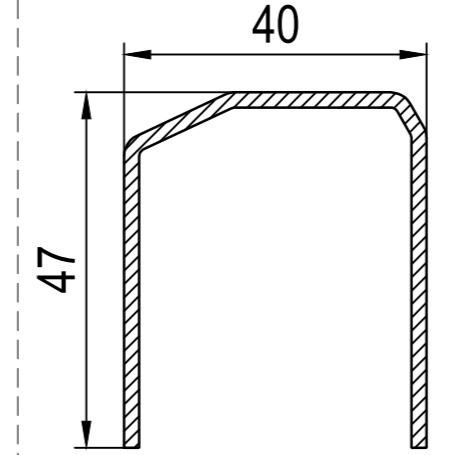
■ 100293 -> 100x92
□ 120x97 (RL) -> 100x92

Accessories



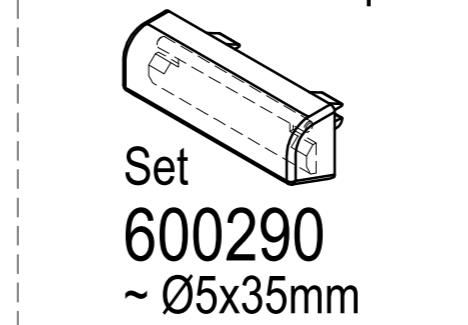
620301 red -> 100x92, 120x41
625305 gn -> 100x92, 120x41
600070 wh -> IS1 200070

IF1 Reinforcements (...) = lx



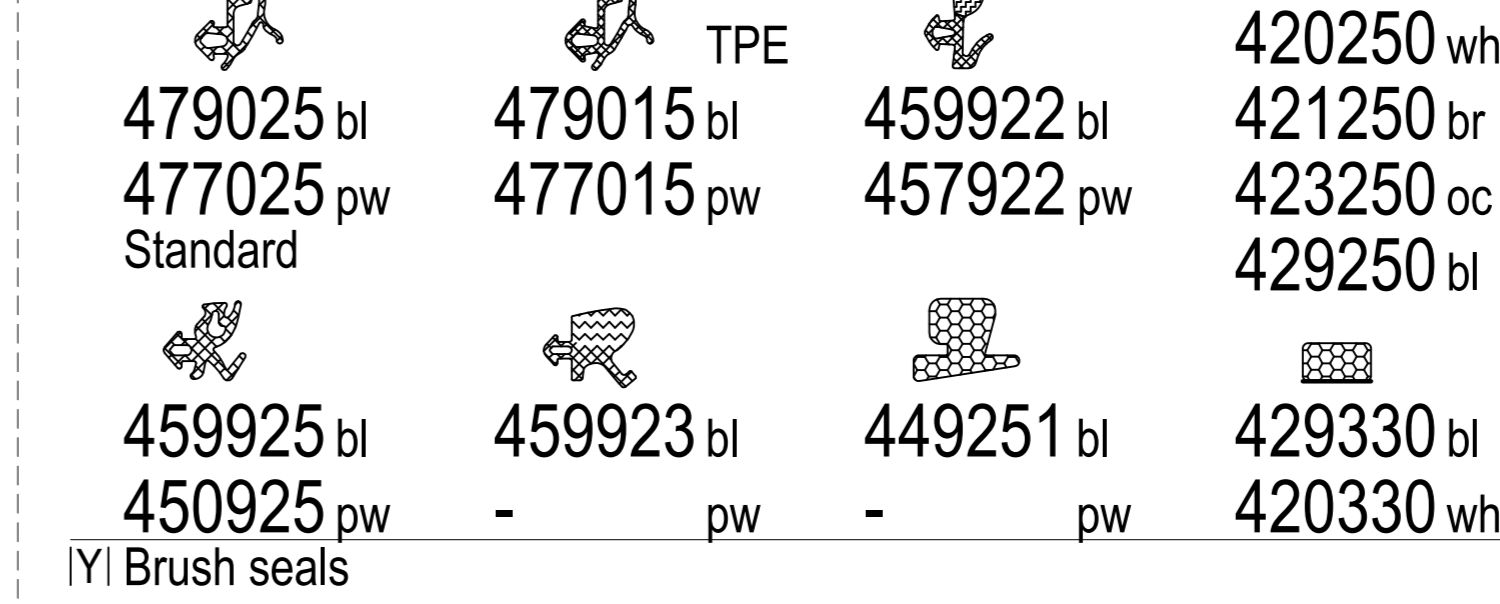
(4.6) 209192 s=1.25
(7.0) 209193 s=2.0 -> 100x92

IK1 Drain slot caps / Drainage profile



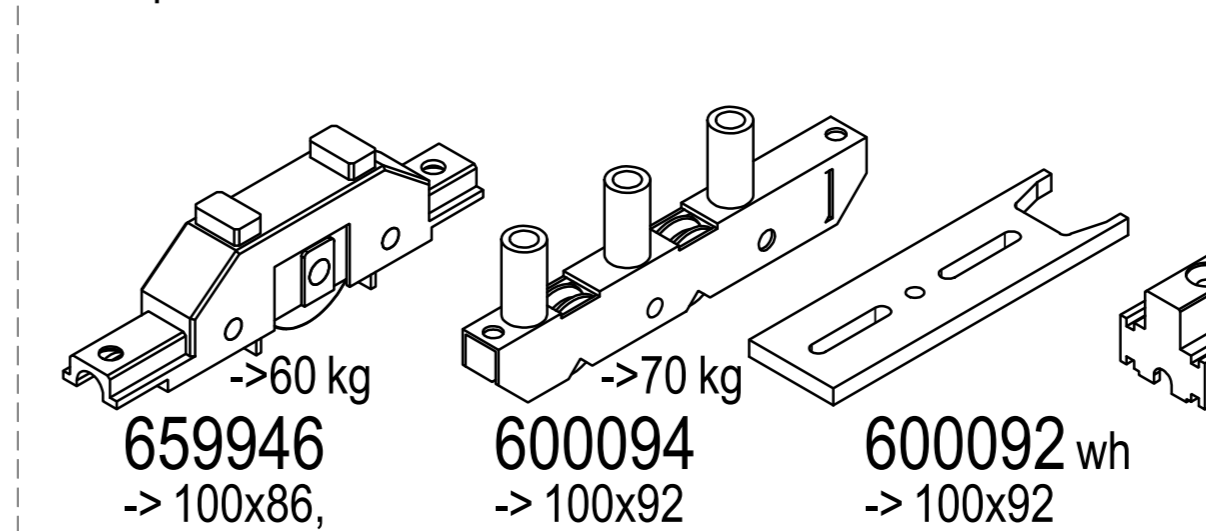
Set 600290 -> Ø5x35mm

IX1 Gaskets

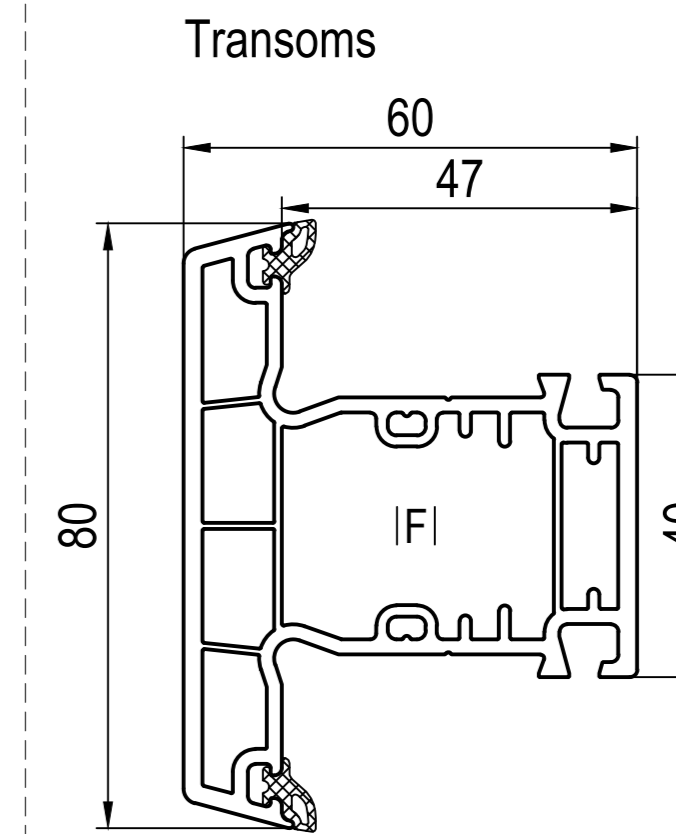


479025 bl
477025 pw Standard
459925 bl
450925 pw
479015 bl
477015 pw
459923 bl
449251 bl
459922 bl
457922 pw
420250 wh
421250 br
423250 oc
429250 bl
429330 bl
420330 wh

IY1 Brush seals

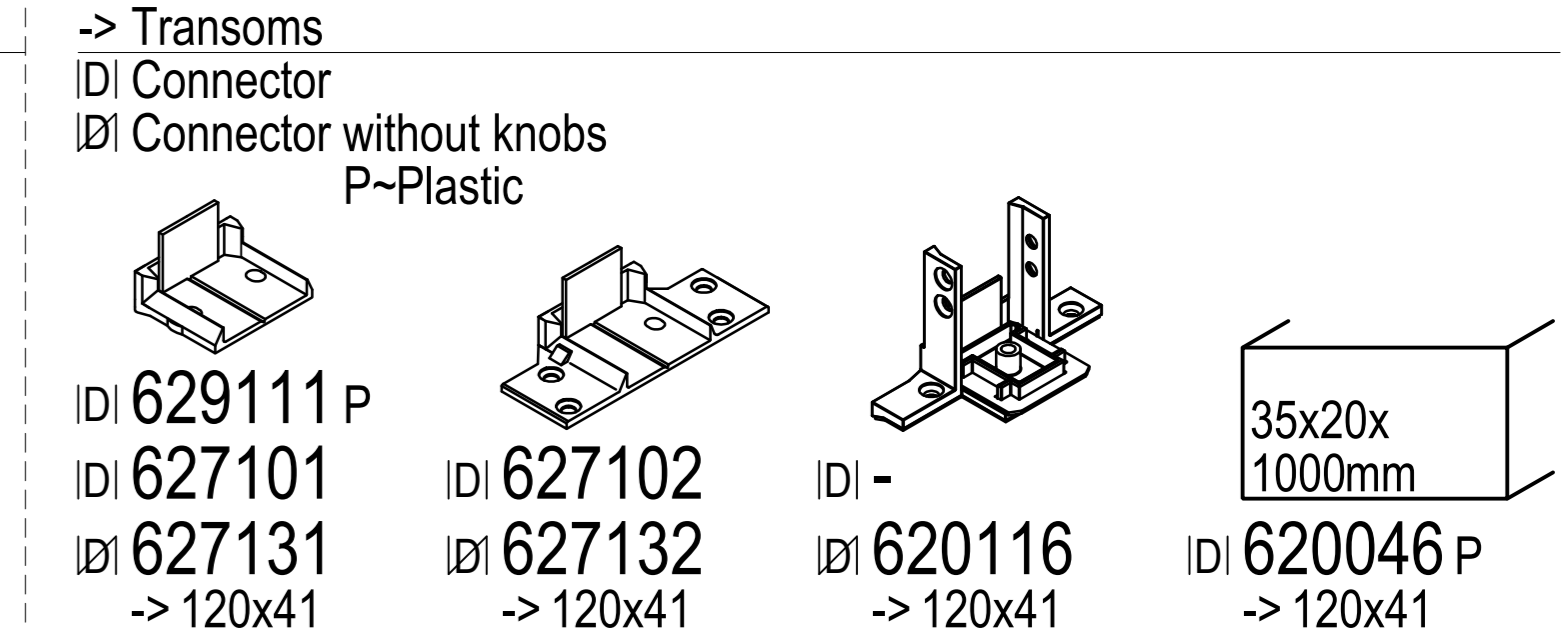


459933 bl
459932 bl
459927 bl
659946 -> 100x86, 100x92
600094 -> 100x92
600092 wh -> 100x92
600098 -> 100x92



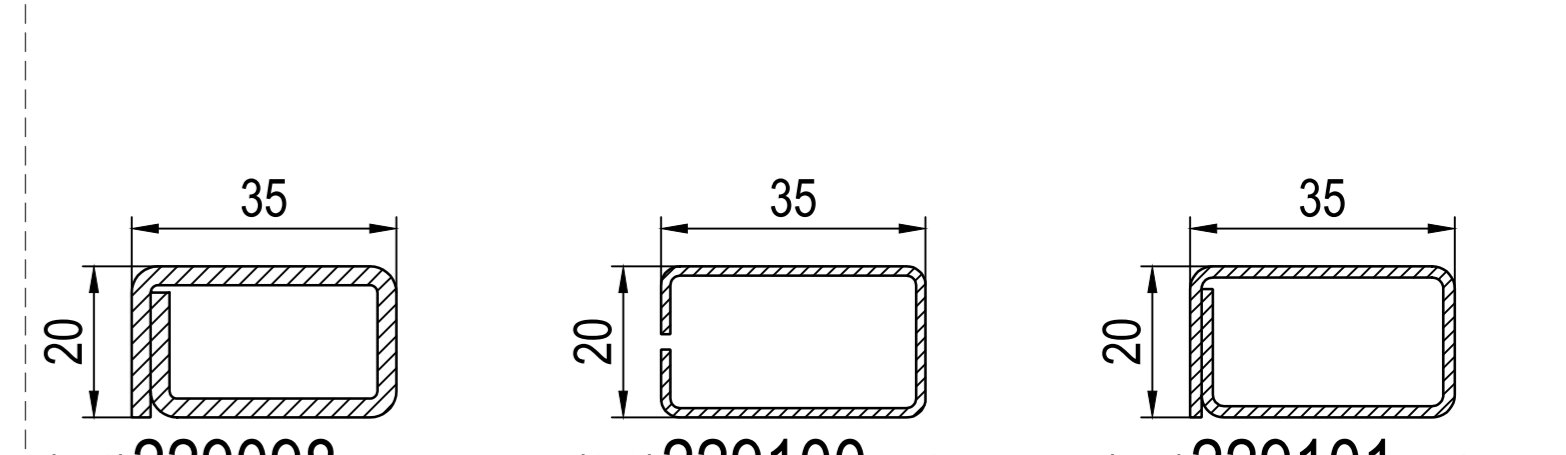
■ 120x41 (CL)
IA1 620301, 625305
ID1 629111, 627101, 627102
ID1 627131, 627132
OI 620900
ID1 620116
ID1 620046 ~ universal
IF1 229098, 229100, 229101

Accessories



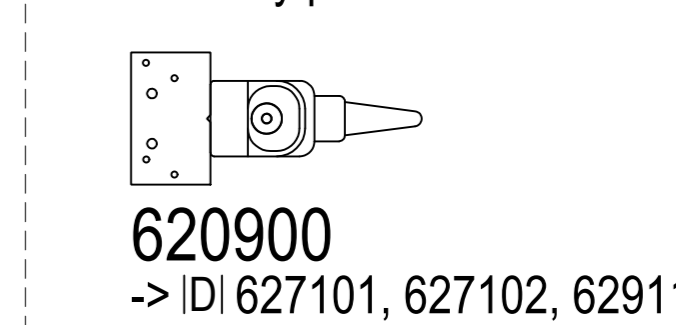
629111 P
627101
627131 -> 120x41
620900
627102
627132 -> 120x41
620900
620116 -> 120x41
620046 P -> 120x41

IF1 Reinforcements (...) = lx



(4.1) 229098 s=2.5 -> 120x41
(2.0) 229100 s=1.25 -> 120x41
(2.8) 229101 s=1.5 -> 120x41

OI Auxiliary parts



620900 -> ID1 627101, 627102, 629111
-> ID1 627131, 627132

□ not laminated
■ laminated
-> for
(CL) Classic-line
(RL) Round-line
br brown wh white
oc ochre red red
bl black gn green
pw papyrus-white
Glazing thickness see manual



vario-slide
 Frame

■ **100083 (CL)**
 IA1 650001
 FI 259906
 SI 207076, 200183
 ZI 600083

vario-slide
 Frame

■ **100087 (CL)**
 IA1 650001
 FI 249019
 SI 207076
 ZI 600083

Option
 IU1 207185
 IV1 606185
 IX1 409185, 409187

vario-slide
 Frame

■ **100084 (CL)**
 IA1 650001
 FI 249019
 SI 207076, 200184
 ZI 600083

Option
 IU1 207186
 IV1 606186
 IX1 409184, 409186

vario-slide
 Sash

■ **100x85 (CL)**
 IA1 620250
 FI 209084, 209085
 JI 642261, 642262, 646265
 SI 200083, 200180, 200181
 ZI 600096, 650947

■ **100x86 (CL)**
 IA1 620250
 FI 209086, 209087
 JI 642261, 642262, 646265
 SI 200080, 200081, 200083, 200180, 200181
 ZI 600095, 600096, 650947, 659946



Accessories

-> Frame
 IA1 Spacer 3-48mm

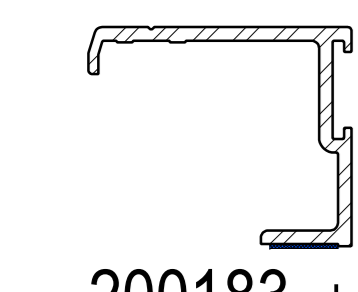
650001
 -> Frame

FI Reinforcements (Ix/Iy)

FI 259906
 s=2.0 (3.4/2.1)
 -> 100083

SI Aluminium profiles

207076
 -> 100069, 100071, 100078, 100083, 100084, 100087, 100275



200183 wh
 -> 100083
 IY1 409083

ZI Special accessories

600083 wh
 -> 100083, 100084, 100087
 IY1 409083

Accessories

-> Frame
 IA1 Spacer 3-48mm

650001
 -> Frame

FI Reinforcements (Ix/Iy)

FI 249019
 s=2.0 (1.8/0.2)
 -> 100078, 100084, 100087

SI Aluminium profiles

207076
 -> 100069, 100071, 100078, 100083, 100084, 100087, 100275



200181 wh
 -> 100x85, 100x86
 IC1 600081
 IX1 477025, 479025

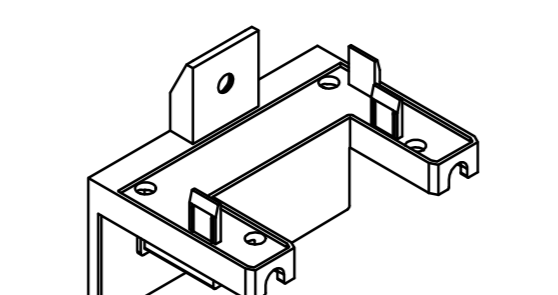
ZI Special accessories

600083 wh
 -> 100083, 100084, 100087
 IY1 409083

IUI Aluminium threshold

207185 Option
 -> 100087
 SI 207188
 IV1 600185
 IX1 409185, 409187

IVI Connection for threshold



606185 gr
 -> 100087 + IUI 207185
 IX1 409187 IX1 409185

IXI Gaskets

409187 bl
 -> 100087 + IUI 207185
 IV1 606185

409185 bl
 -> 100087 + IUI 207185
 IV1 606185

SI Aluminium profiles

207188
 IUI 207185, 207186
 IY1 459932, 459933

207187
 IUI 207185, 207186

Accessories

-> Frame
 IA1 Spacer 3-48mm

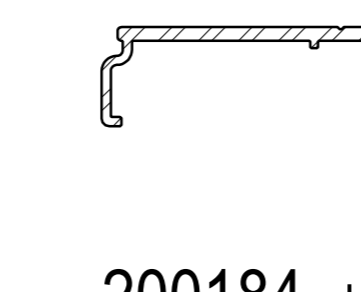
650001
 -> Frame

FI Reinforcements (Ix/Iy)

FI 249019
 s=2.0 (1.8/0.2)
 -> 100078, 100084, 100087

SI Aluminium profiles

207076
 -> 100069, 100071, 100078, 100083, 100084, 100087, 100275



200184 wh
 -> 100084
 IY1 409083

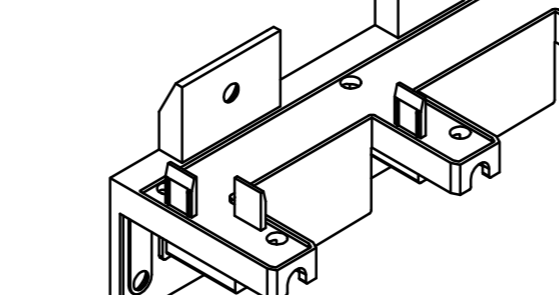
ZI Special accessories

600083 wh
 -> 100083, 100084, 100087
 IY1 409083

IUI Aluminium threshold

207186 Option
 -> 100084
 SI 207188
 IV1 600186
 IX1 409184, 409186

IVI Connection for threshold



606186 gr
 -> 100084 + IUI 207186
 IX1 409184 IX1 409186

IXI Gaskets

409184 bl
 -> 100084 + IUI 207186
 IV1 606186

409186 bl
 -> 100084 + IUI 207186
 IV1 606186

SI Aluminium profiles

207188
 IUI 207185, 207186
 IY1 459932, 459933

207187
 IUI 207185, 207186

Additional Profiles

■ **100286**
 -> 100x72, 100x74, 100x85, 100x86

Accessories

-> Sash / General
 IA1 Spacer 3-25mm

620250 red
 -> 100x85, 100x86

FI Reinforcements (Ix/Iy)

FI 209084 s=1.25 (2.0/1.2)
 FI 209086 s=1.25 (3.0/3.8)

FI 209085 s=2.0 (3.0/1.9)
 FI 209087 s=2.0 (4.5/5.8)
 -> 100x85 -> 100x86

IXI Gaskets

479025 bl
477025 pw
 Standard

459925 bl
459925 pw

459933 bl
459932 bl
409083 bl

420250 wh
421250 br
423250 oc
429250 bl

429330 bl
420330 wh

IXI Brush seals
 -> SI 200080, 200081, 200083, 200183, 200184
 ZI 600083

ZI Special accessories

650947
 -> 100x72, 100x74, 100x85, 100x86

659946
 -> 100x86, 100x92

600095
 -> 100x86

600096
 -> 100x72, 100x74, 100x85, 100x86

JI Bonding of pane -> 100x85, 100x86

640033 red
640034 ye
640035 gn

642262 bl

642261 bl
646265 gr

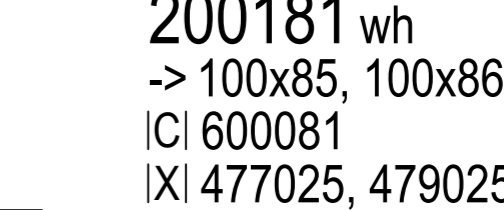
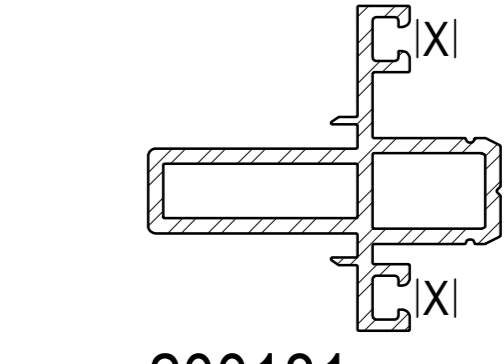
IKI Drain slot caps / Drainage profile

600290
 - Ø5x35mm

SI Aluminium profiles

200083 wh
 -> 100x85, 100x86
 IX1 409084
 IY1 409083

200180 wh
 -> 100x85, 100x86
 IC1 1. 600080, 2. 600081
 IX1 477025, 479025 (25.2) = Ix (75.7)aluminium



ICI End caps

600081 wh
 IX1 200180, 200181
 IX1 477025, 479025

600080 wh
 IX1 200080, 200180

⊗ Bonding of pane Option

□ not laminated
 ■ laminated

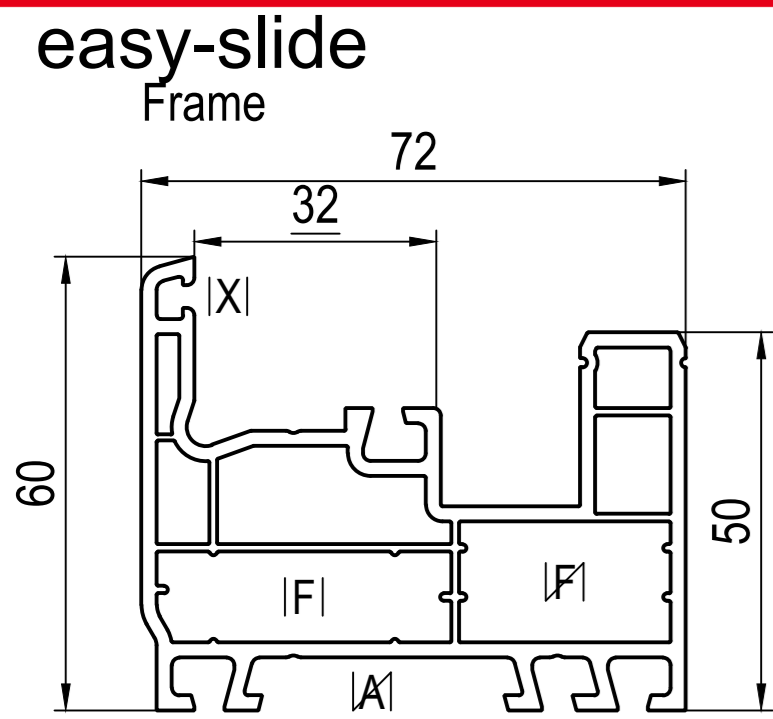
-> for

(CL) Classic-line

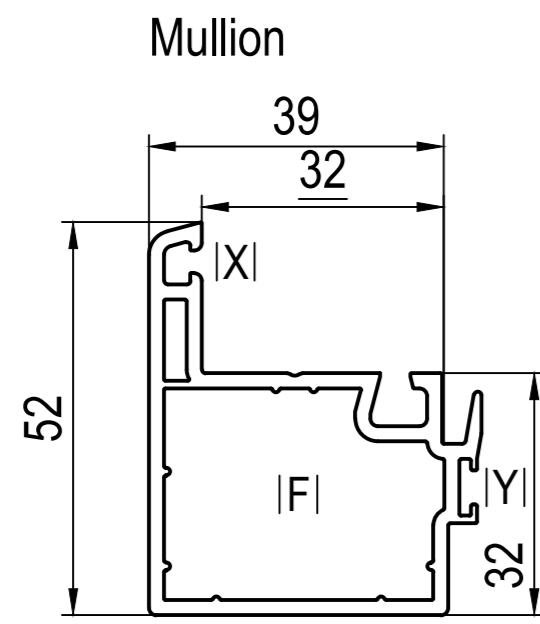
gr grey
 br brown
 oc ochre
 bl black
 pw papyrus-white

wh white
 red red
 ye yellow
 gn green

■ Glazing thickness see manual

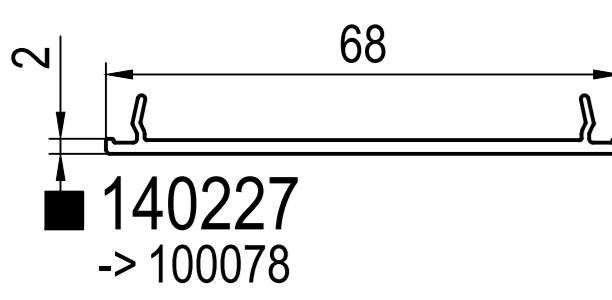


■ 100078 (CL)
IAI 669919 IAI 650001
IFI 249019 IFI 229107
SI 207076
XI 409076
ZI 600076

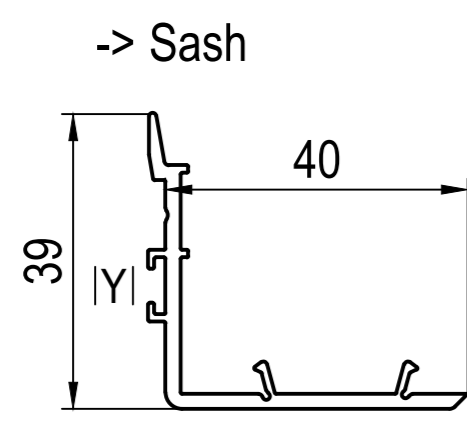


■ 100079 (CL)
IDI 600079
IFI 209079
XI 409076
YI 459932, 459933

Additional Profiles

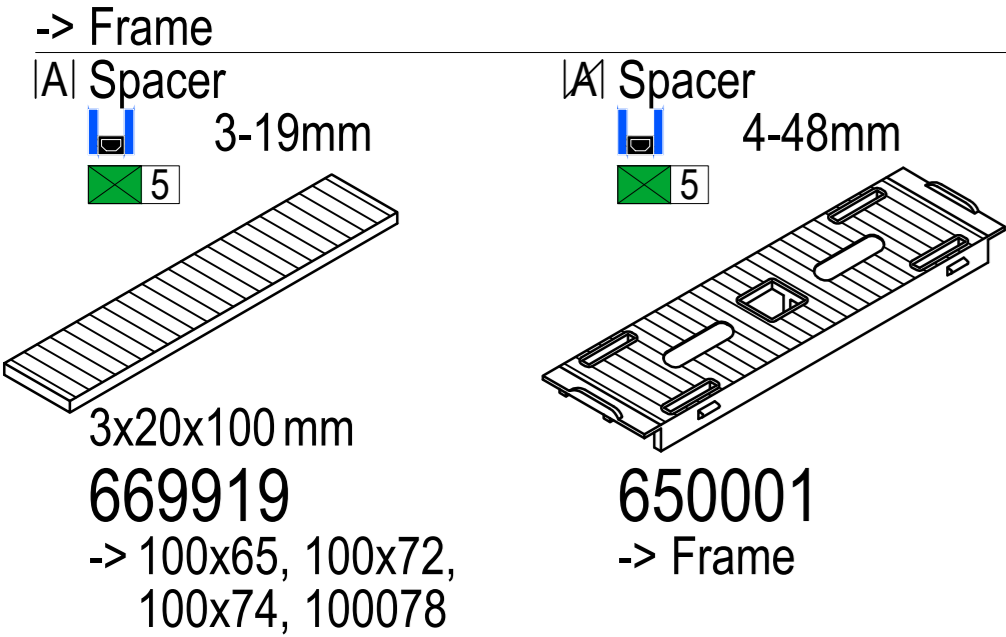


■ 140227
-> 100078



■ 100274
-> 100x72, 100x74
YI 459932, 459933

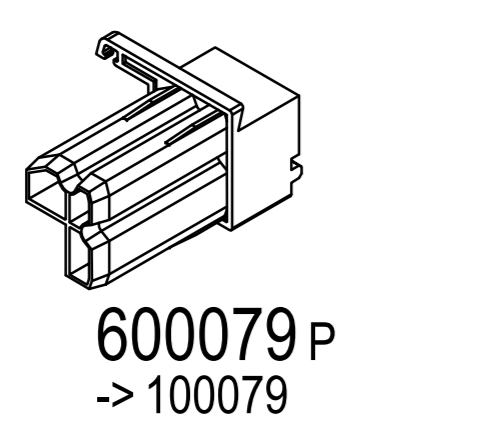
Accessories



3x20x100 mm
669919
-> 100x65, 100x72,
100x74, 100078

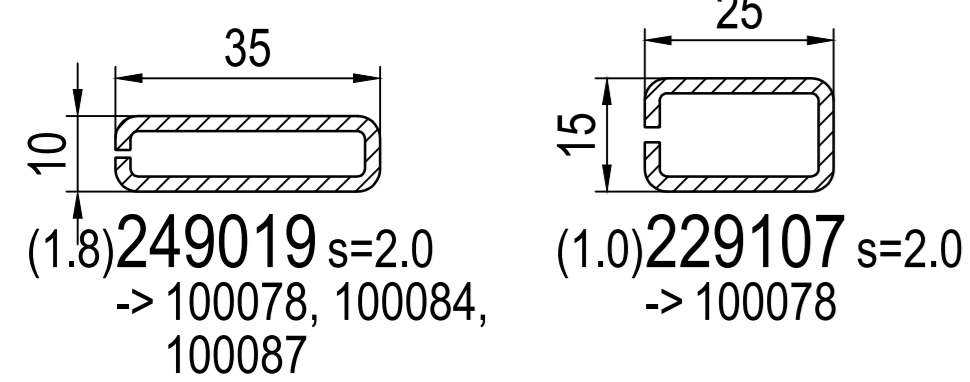
650001
-> Frame

Accessories



600079 P
-> 100079

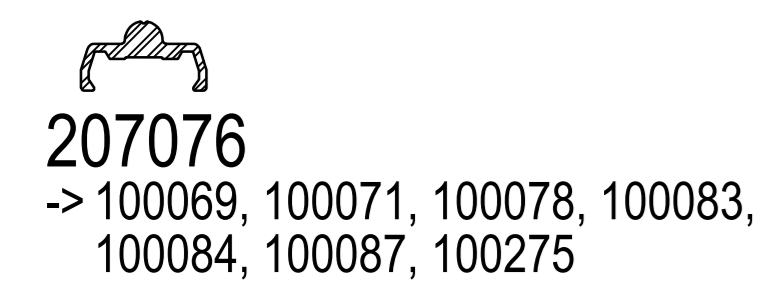
IFI Reinforcements (...) = Ix



(1.8)249019 s=2.0
-> 100078, 100084,
100087

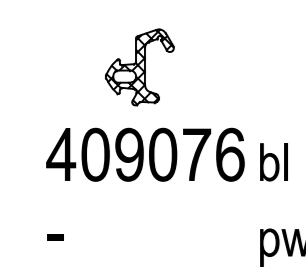
(1.0)229107 s=2.0
-> 100078

SI Aluminium profiles



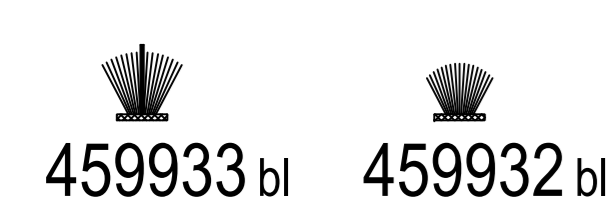
207076
-> 100069, 100071, 100078, 100083,
100084, 100087, 100275

XI Gaskets



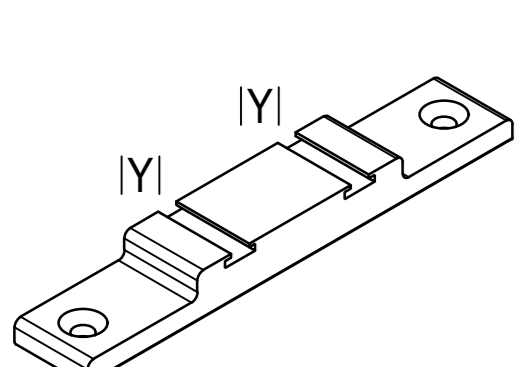
409076 bl
- pw

YI Brush seals

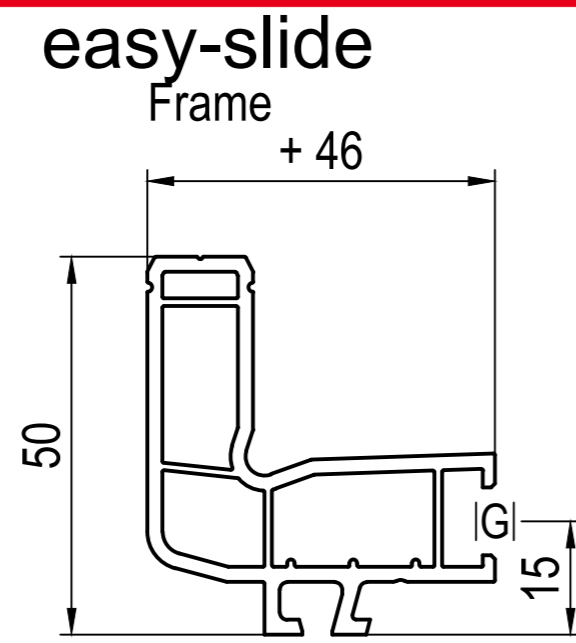


459933 bl 459932 bl

ZI Special accessories



600076 wh
-> 100078
YI 459932, 459933



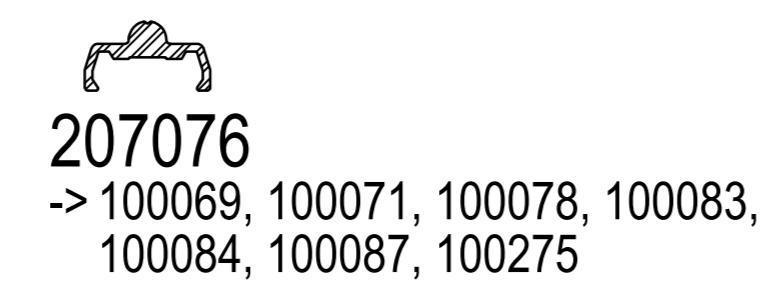
■ 100275 (CL)
GI 652923
SI 207076
ZI 650070

Accessories



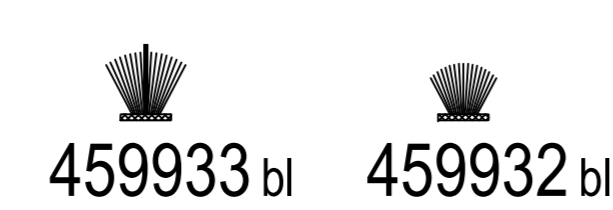
652923
-> 100253, 100275

SI Aluminium profiles



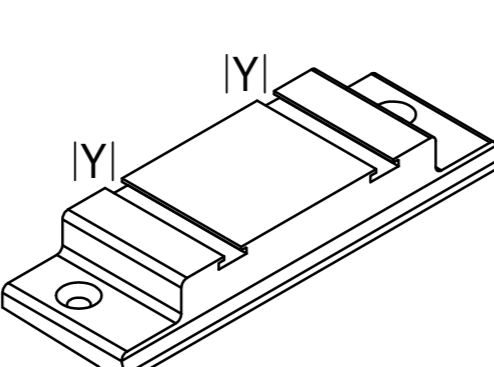
207076
-> 100069, 100071, 100078, 100083,
100084, 100087, 100275

YI Brush seals

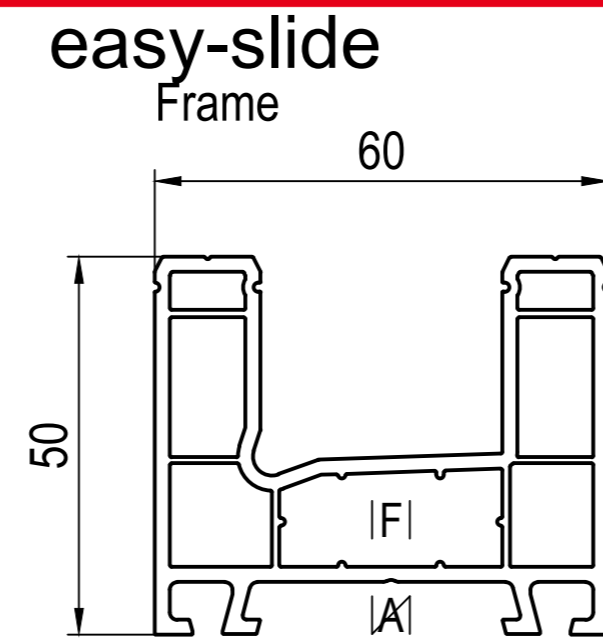


459933 bl 459932 bl

ZI Special accessories

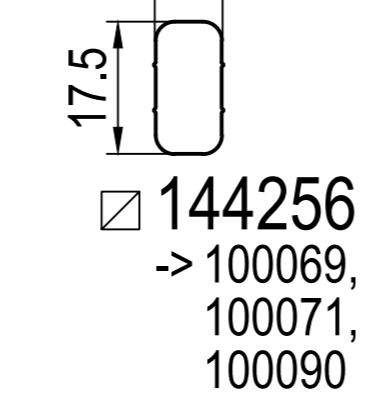


650070 wh
-> 100069, 100071,
100275
YI 459932, 459933



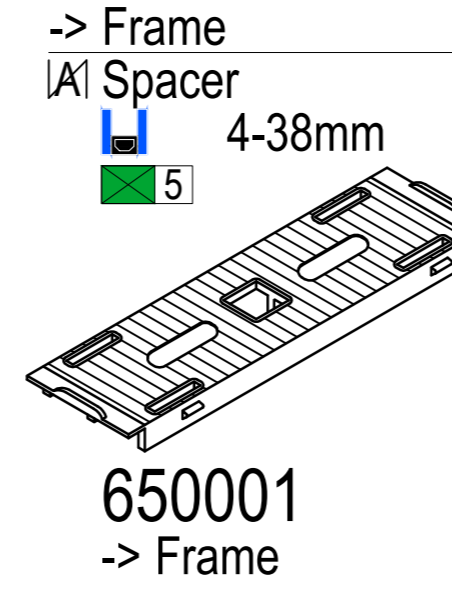
■ 100069 (CL)
IAI 650001
FI 259018
SI 207076
ZI 650070

Additional Profiles



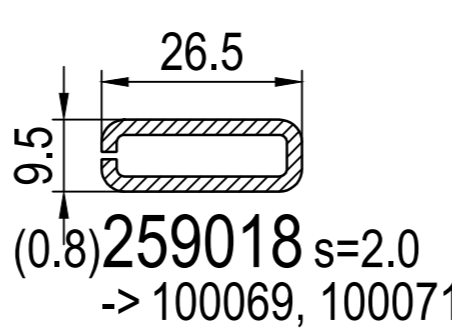
□ 144256
-> 100069,
100071,
100090

Accessories



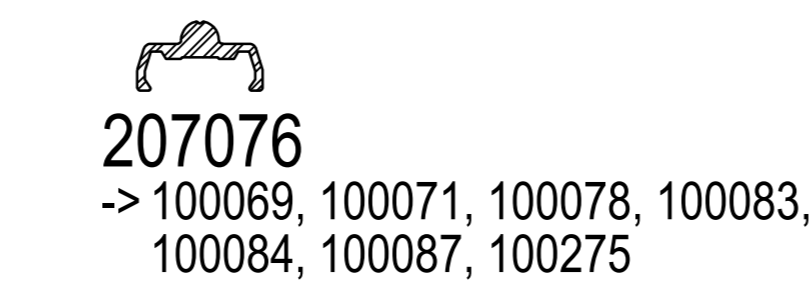
650001
-> Frame

IFI Reinforcements (...) = Ix



(0.8)259018 s=2.0
-> 100069, 100071

SI Aluminium profiles



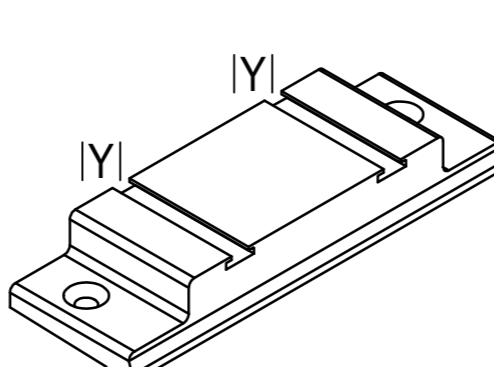
207076
-> 100069, 100071, 100078, 100083,
100084, 100087, 100275

YI Brush seals

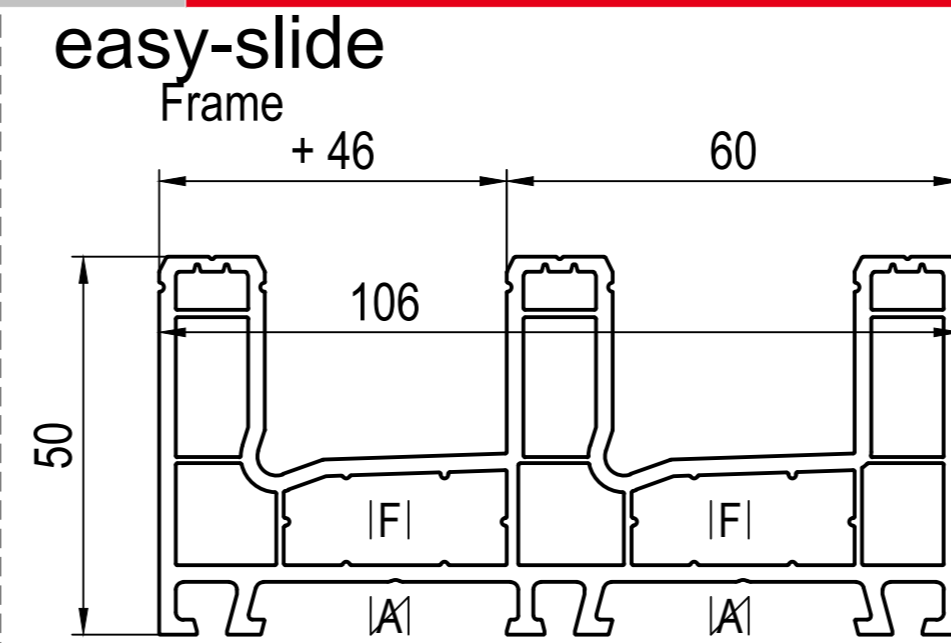


459933 bl 459932 bl

ZI Special accessories

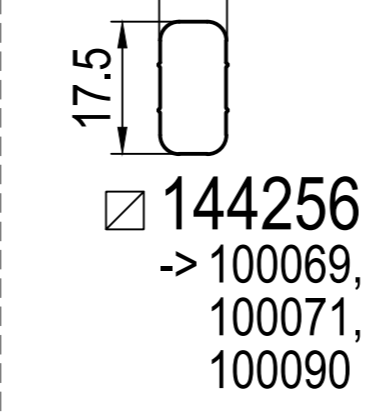


650070 wh
-> 100069, 100071,
100275
YI 459932, 459933



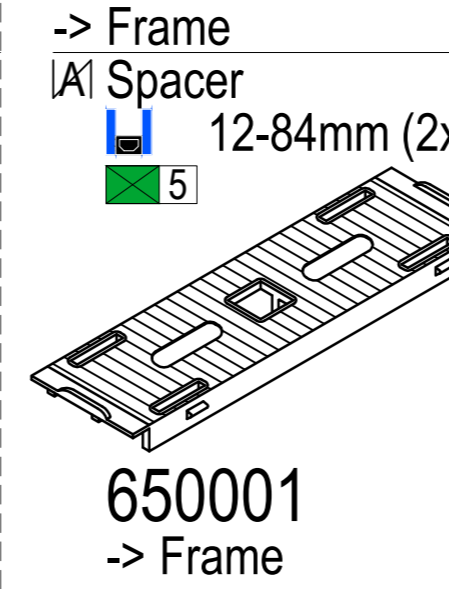
■ 100071 (CL)
IAI 650001
FI 259018
SI 207076
ZI 650070

Additional Profiles



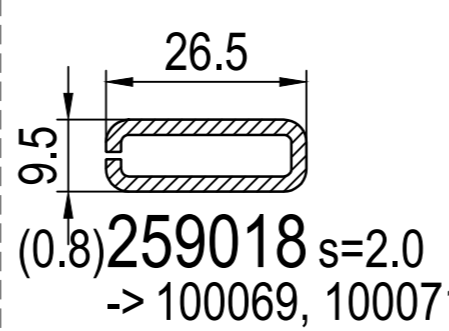
□ 144256
-> 100069,
100071,
100090

Accessories



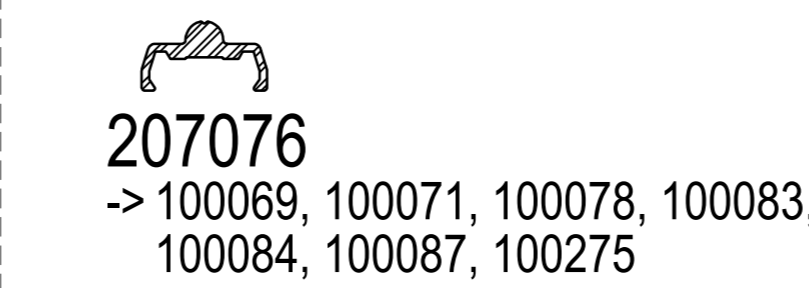
650001
-> Frame

IFI Reinforcements (...) = Ix



(0.8)259018 s=2.0
-> 100069, 100071

SI Aluminium profiles



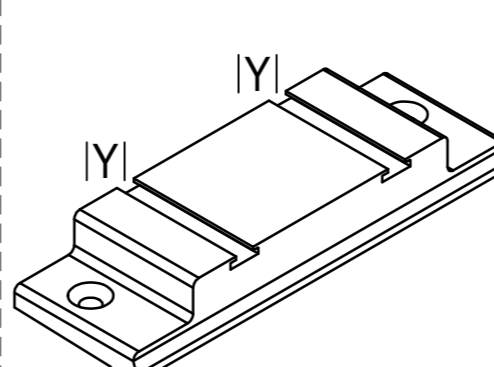
207076
-> 100069, 100071, 100078, 100083,
100084, 100087, 100275

YI Brush seals

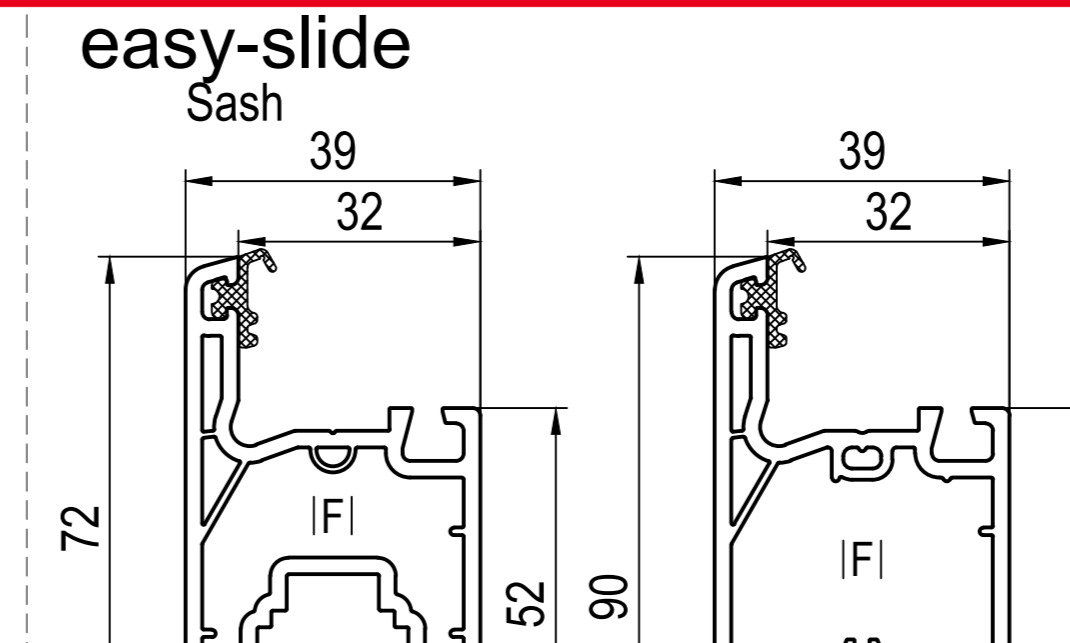


459933 bl 459932 bl

ZI Special accessories



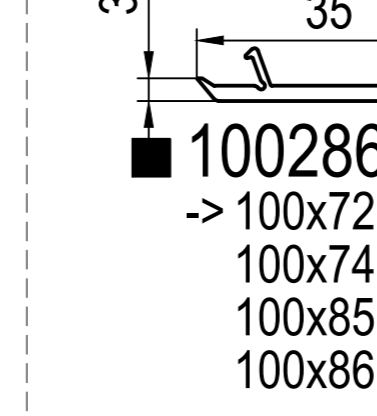
650070 wh
-> 100069, 100071,
100275
YI 459932, 459933



■ 100x72 (CL)
IAI 669919
IFI 229003, 229004
SI 200071
ZI 650947, 600096

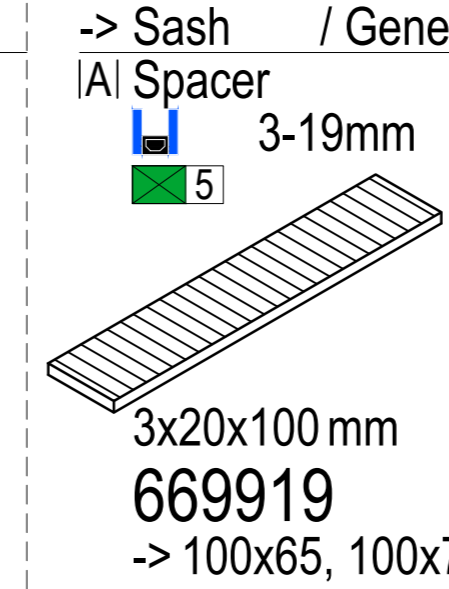
■ 100x74 (CL)
IAI 669919
IFI 229005
SI 200071
ZI 650947, 600096

Additional Profiles



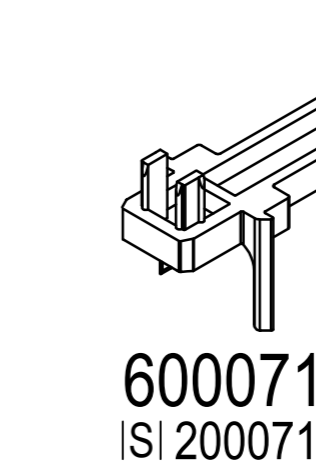
■ 100286
-> 100x72,
100x74,
100x85,
100x86

Accessories



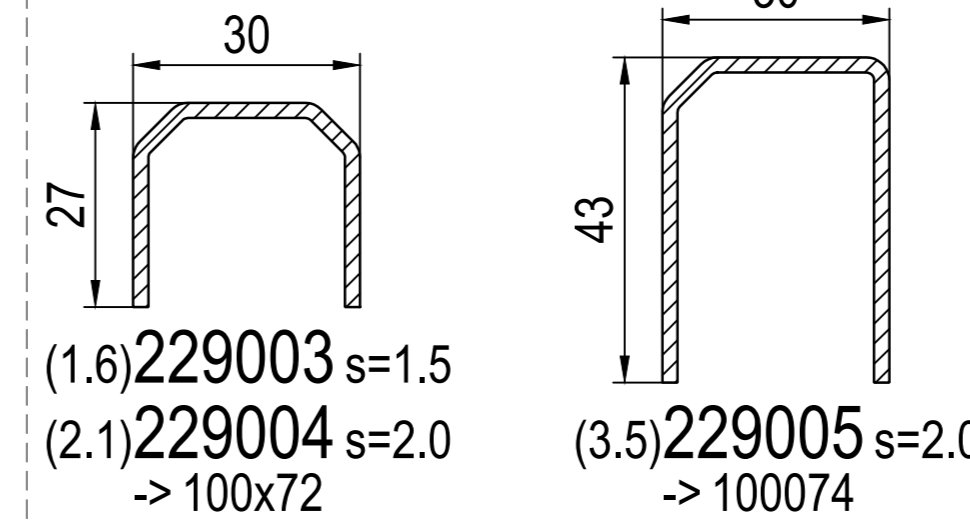
669919
-> 100x65, 100x72,
100x74, 100078

ICI End caps



600071 wh
SI 200071

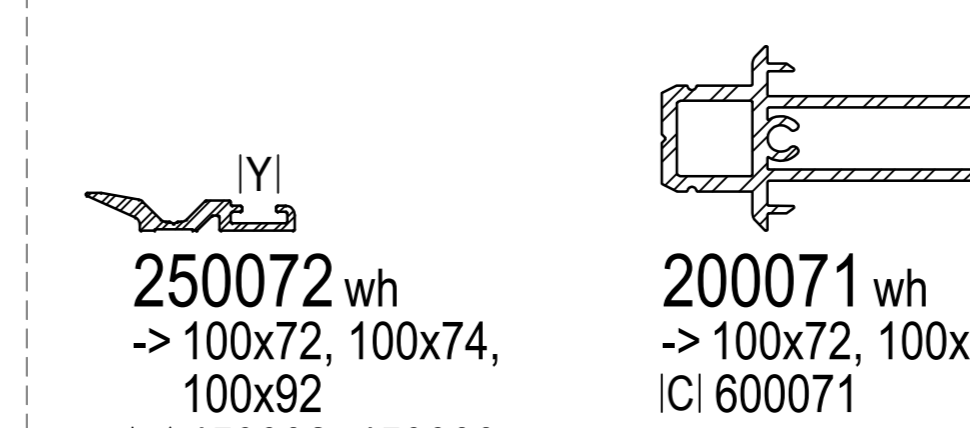
IFI Reinforcements (...) = Ix



(1.6)229003 s=1.5
(2.1)229004 s=2.0
-> 100x72

(3.5)229005 s=2.0
-> 100074

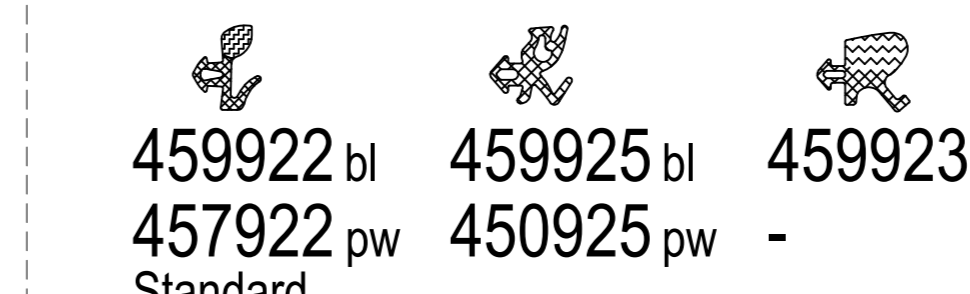
SI Aluminium profiles



250072 wh
-> 100x72, 100x74,
100x92
YI 459932, 459933

200071 wh
-> 100x72, 100x74
ICI 600071

XI Gaskets



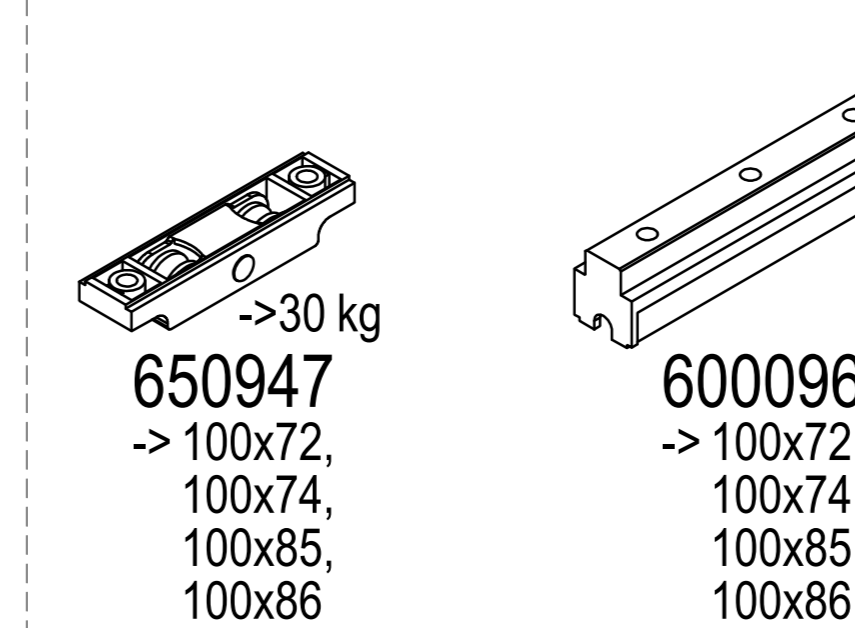
459922 bl 459925 bl 459923 bl
457922 pw 450925 pw - pw

YI Brush seals



459933 bl 459932 bl

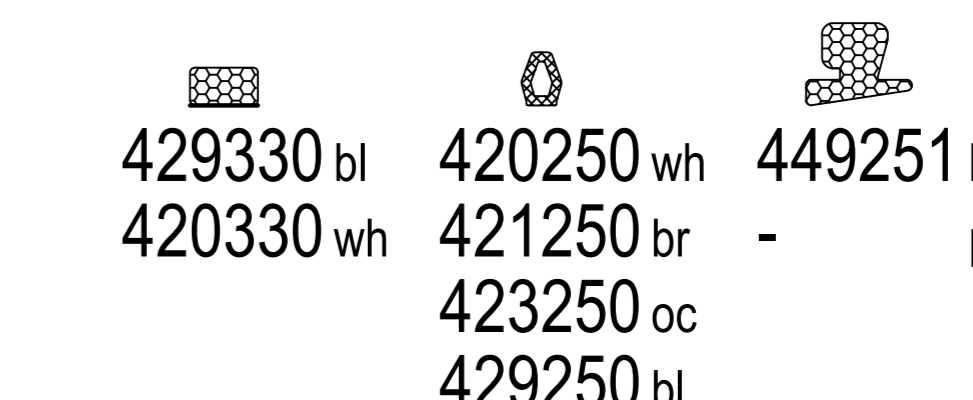
ZI Special accessories



650947
-> 30 kg
-> 100x72,
100x74,
100x85,
100x86

600096
-> 100x72,
100x74,
100x85,
100x86

XI Gaskets



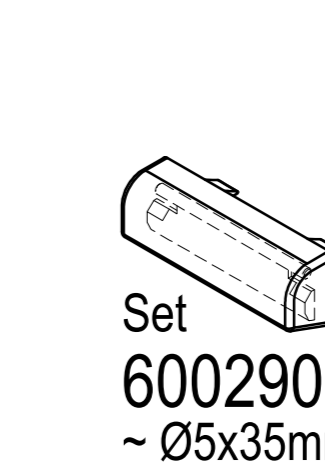
429330 bl 420250 wh 449251 bl
420330 wh 421250 br - pw
423250 oc
429250 bl

YI Brush seals

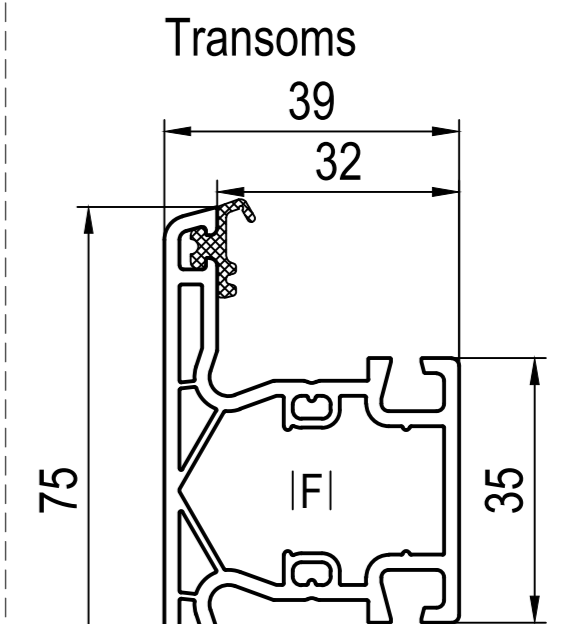


409931 bl
-> Fly screen

IKI Drain slot caps / Drainage profile

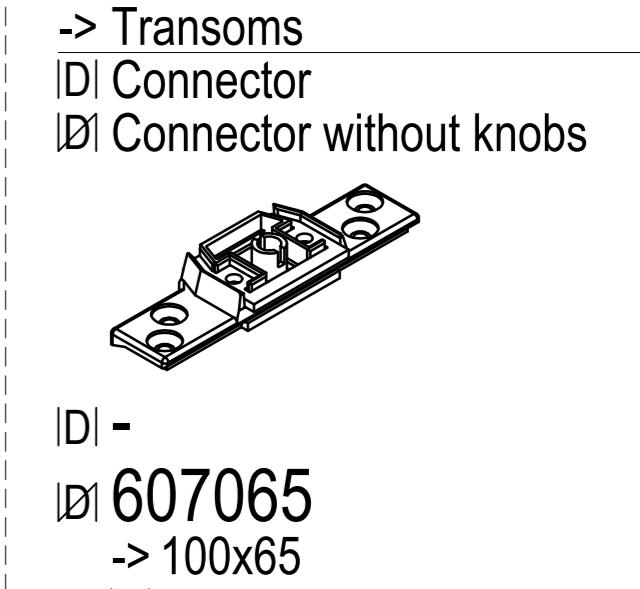


Set
600290
~ Ø5x35mm



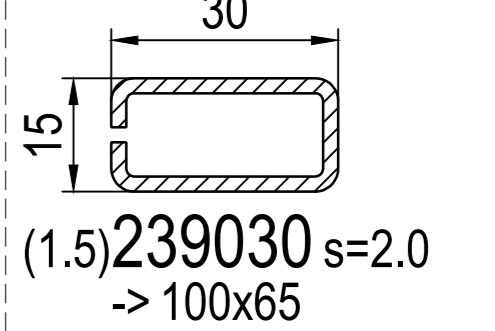
■ 100x65 (CL)
IAI 669919
IDI 607065 + IXI 409065
IFI 239030

Accessories



607065
-> 100x65
IXI 409065

IFI Reinforcements (...) = Ix



(1.5)239030 s=2.0
-> 100x65

XI Gaskets



409065 bl
-> 100x65
IDI 607065

□ not laminated
■ laminated

-> for

(CL) Classic-line

br brown
oc ochre
bl black
pw papyrus-white
wh white

Glazing thickness see manual



Table with columns for profile serial, glazing thickness (8mm to 54mm), and various profile types like energeto IDEAL, Nord-line, lift-slide, etc.

Table for (CL) Classic-line glazing beads, showing dimensions and product codes for heights of 20mm and 30mm.

Table for (QL) Qube-line glazing beads, showing dimensions and product codes for heights of 20mm and 30mm.

Table for (SL) Soft-line glazing beads, showing dimensions and product codes for heights of 20mm and 30mm.

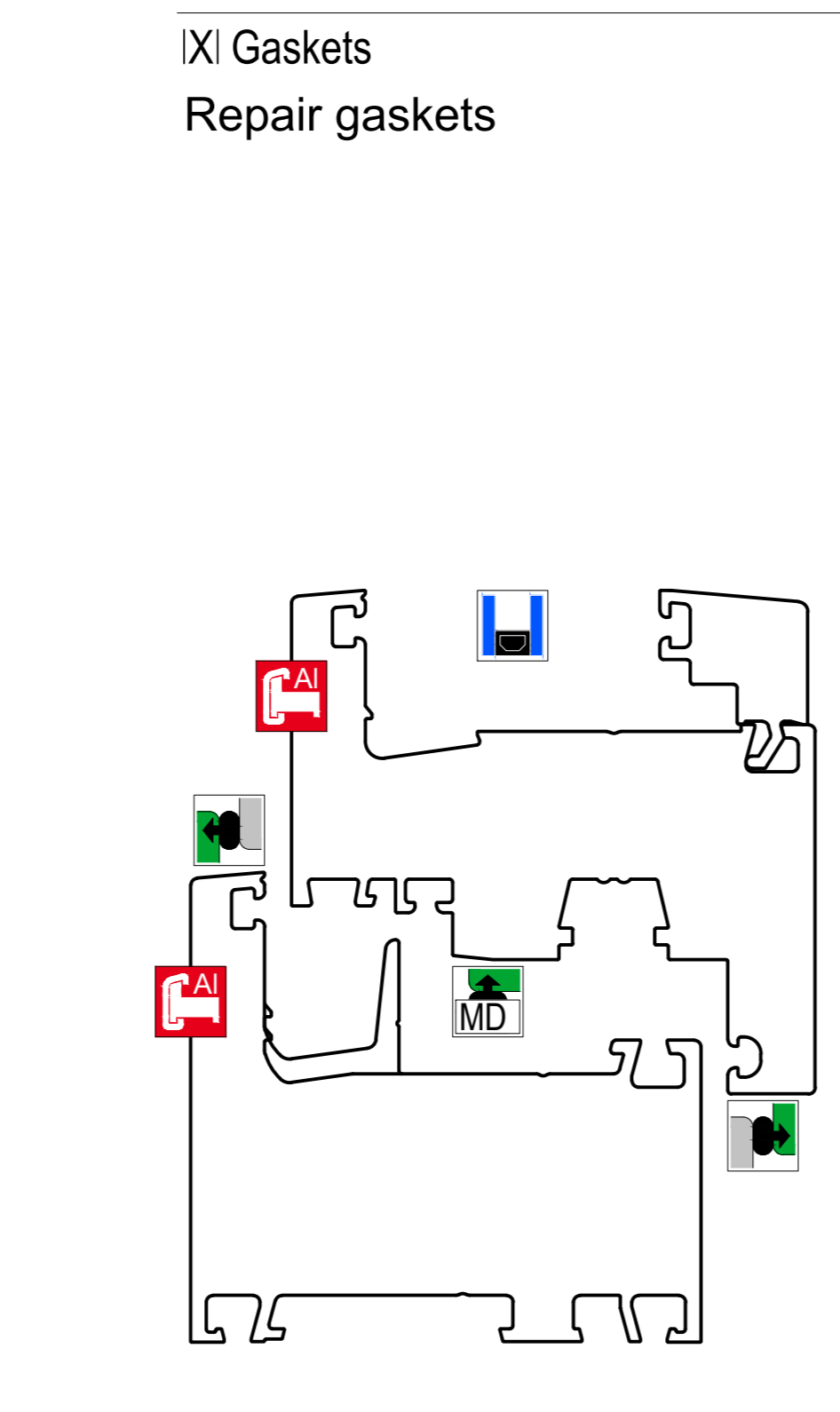
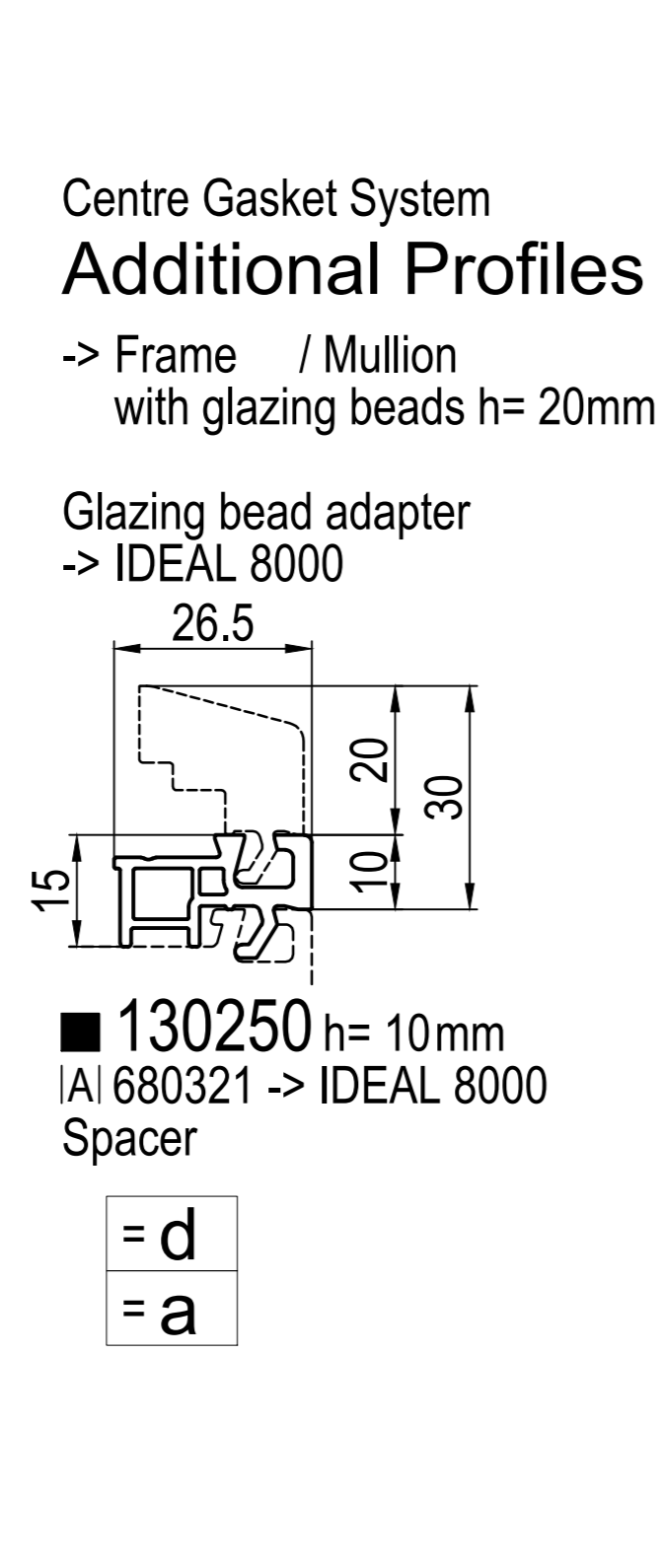
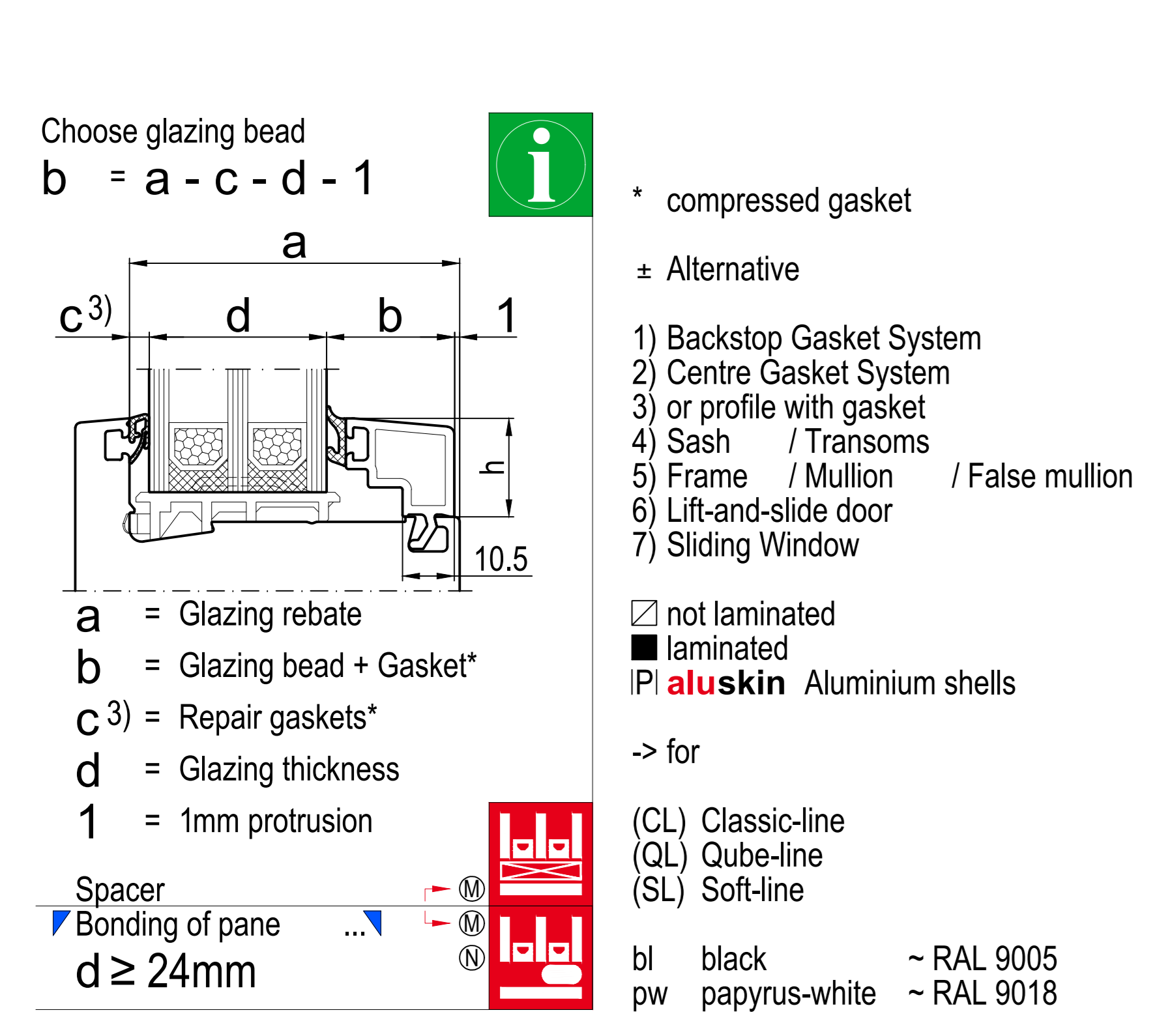
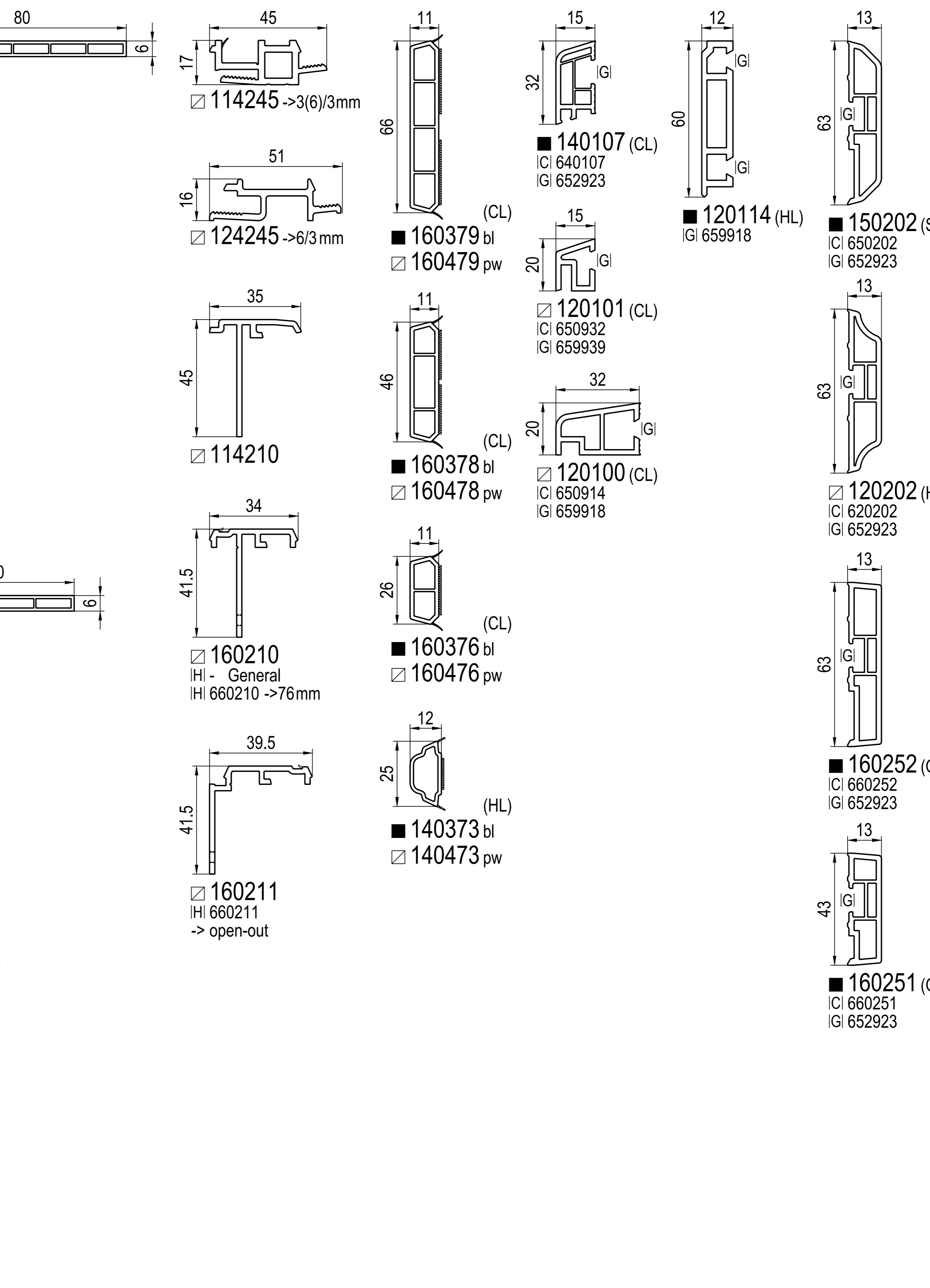
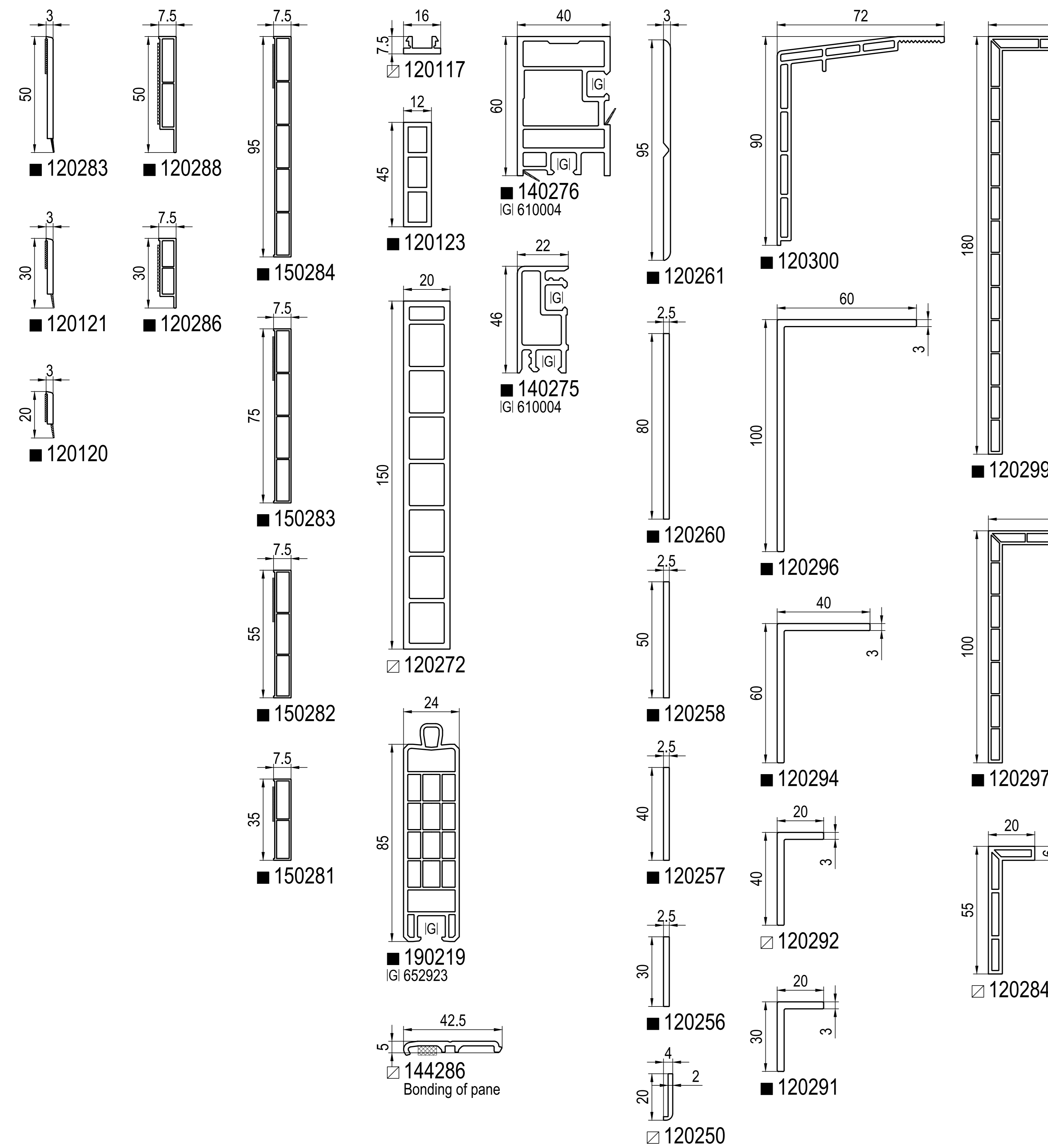
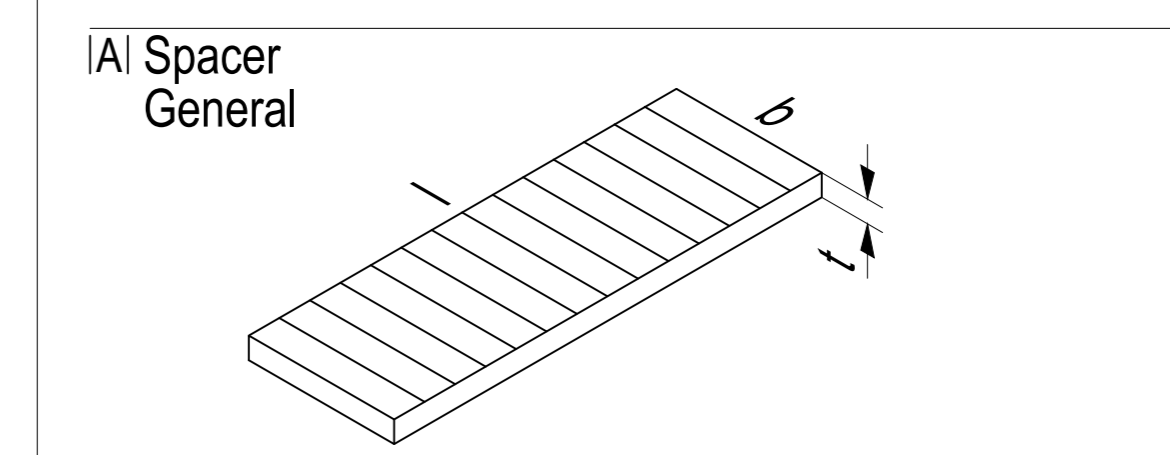


Table for gaskets and repair gaskets, listing various materials like EPDM, TPE, PVC-P and their corresponding product codes.

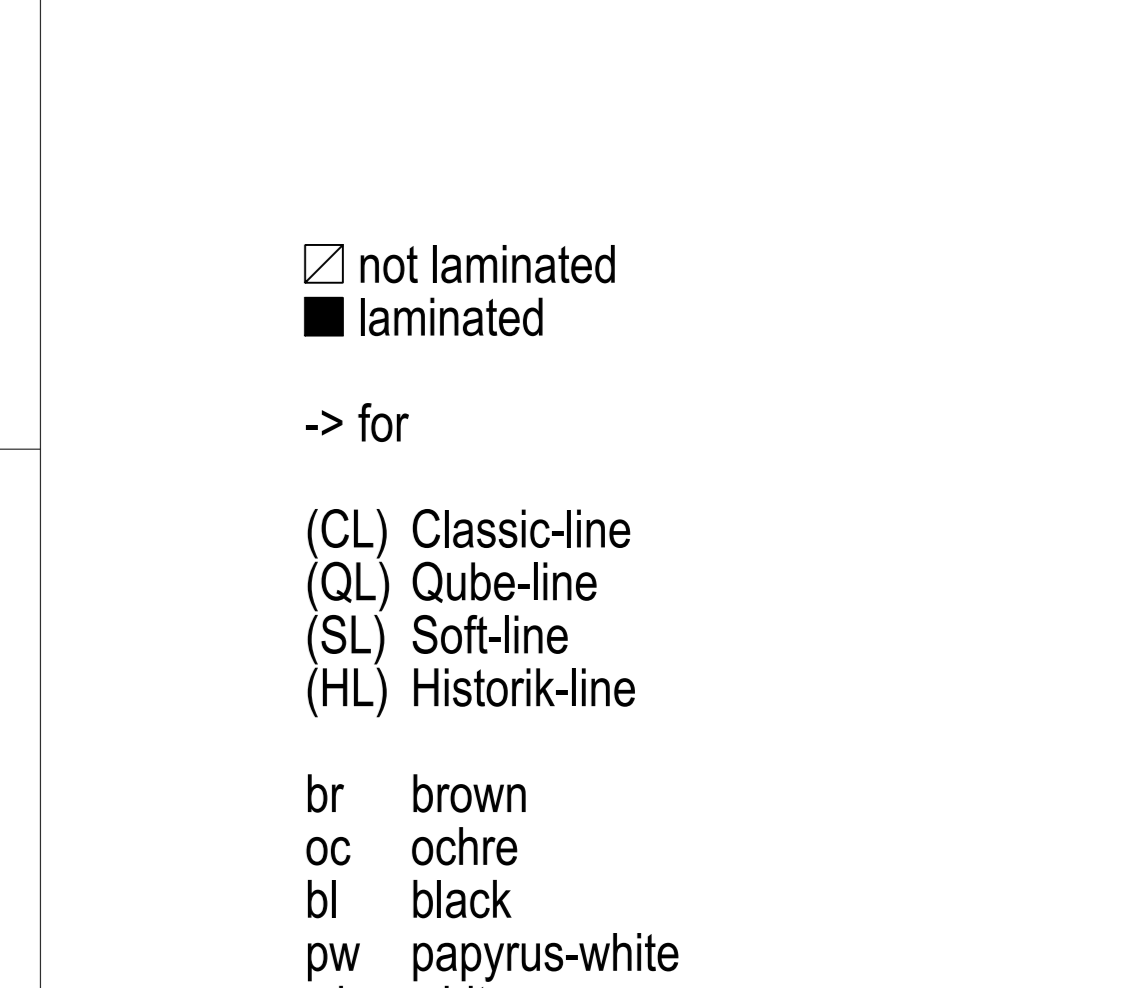
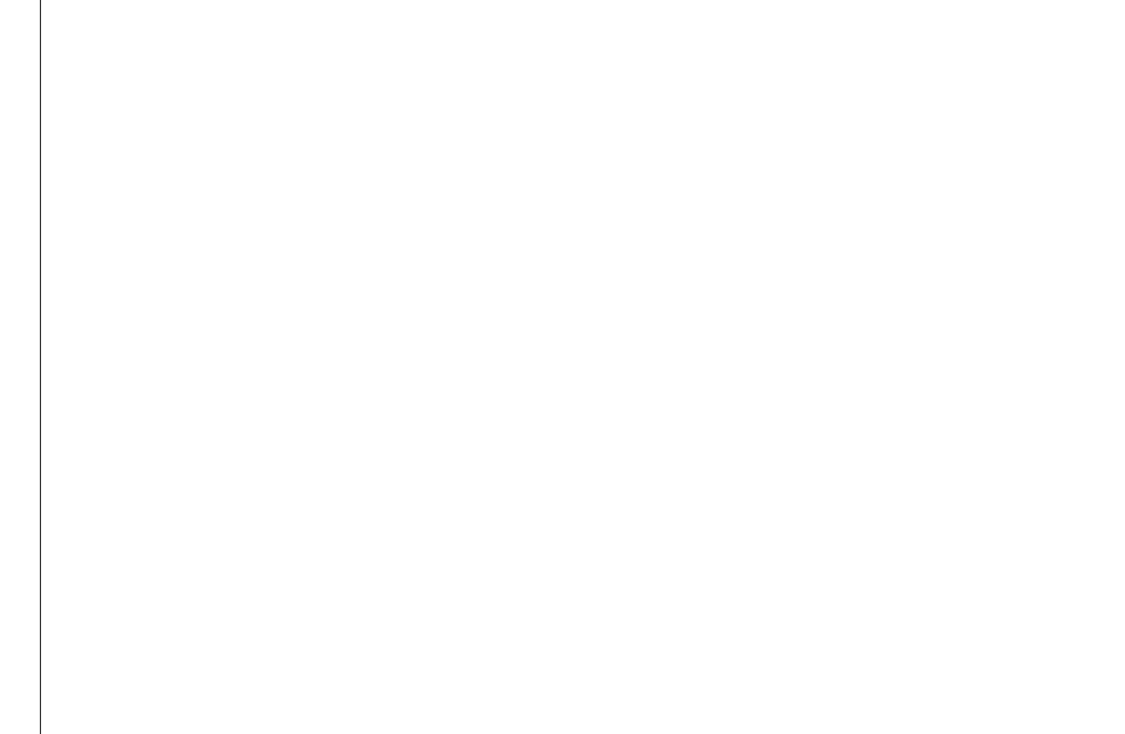
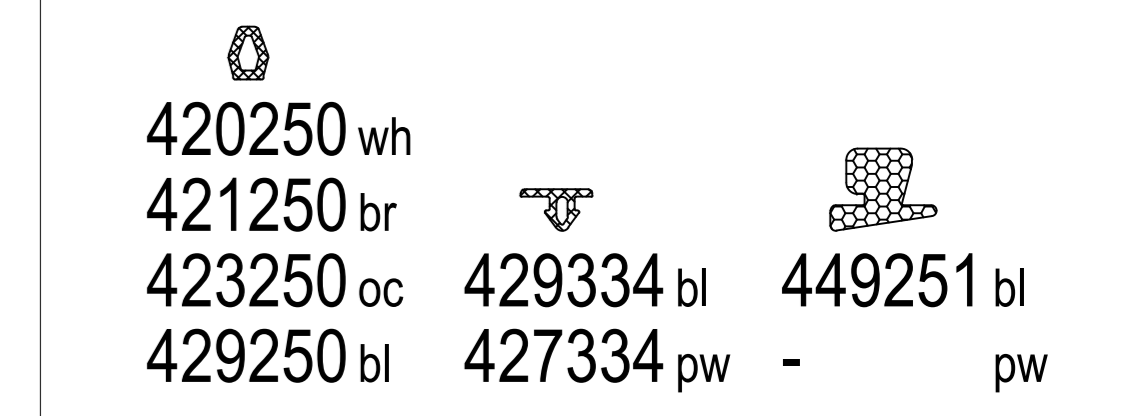
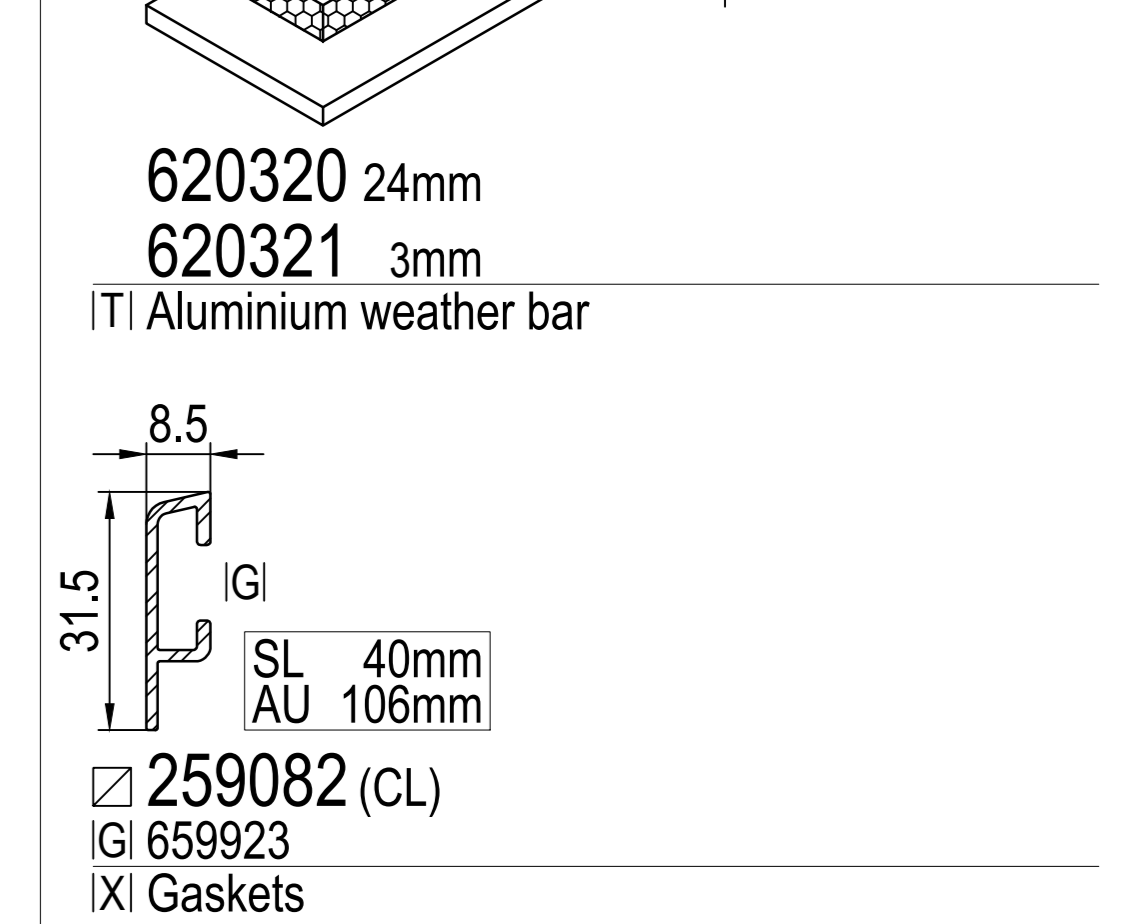
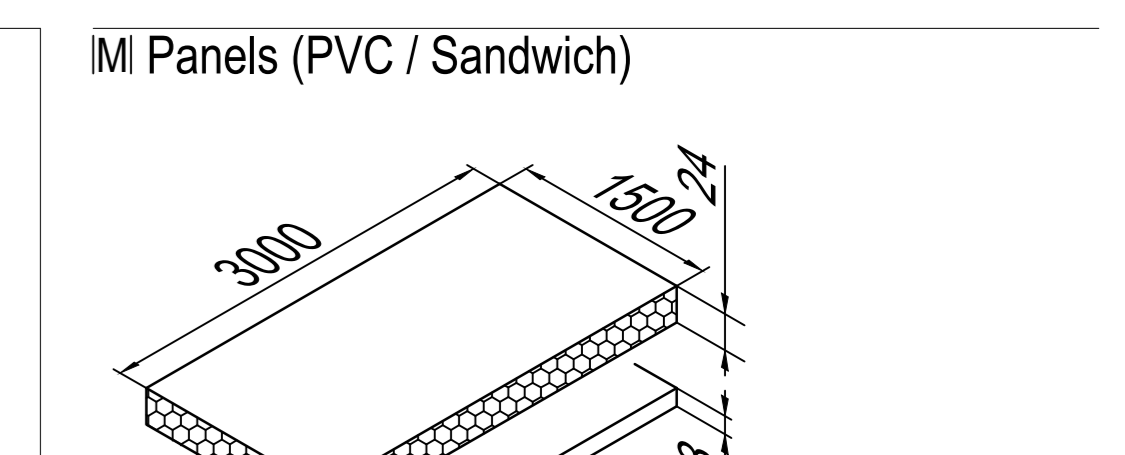
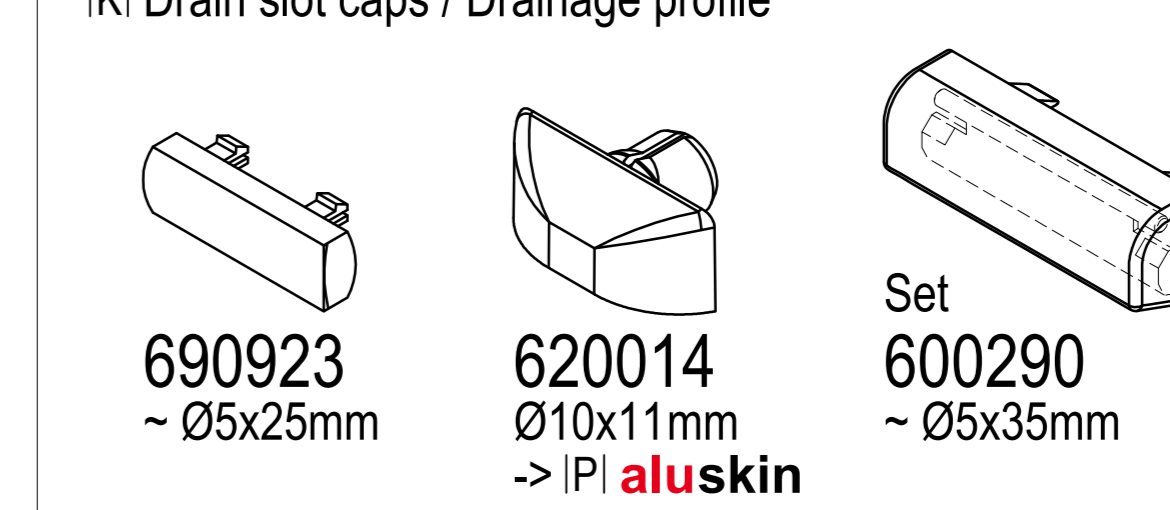
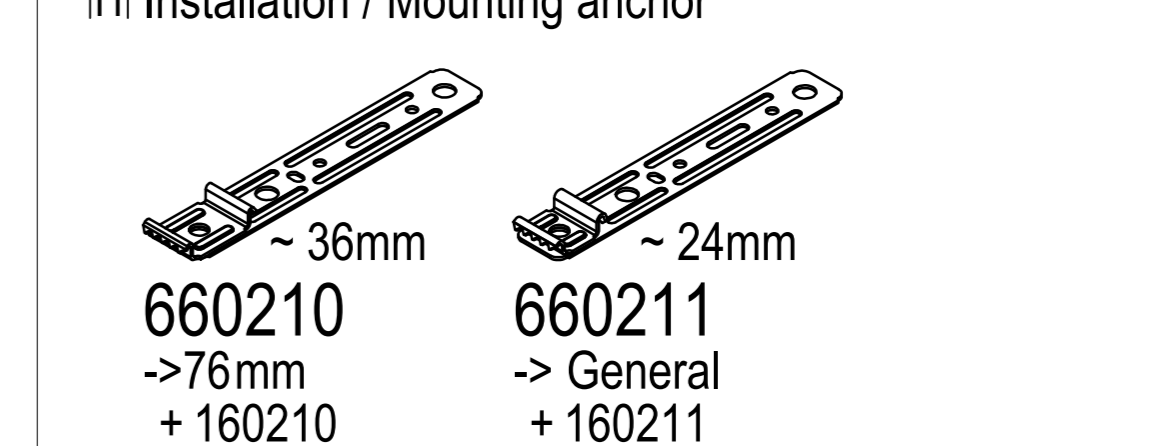
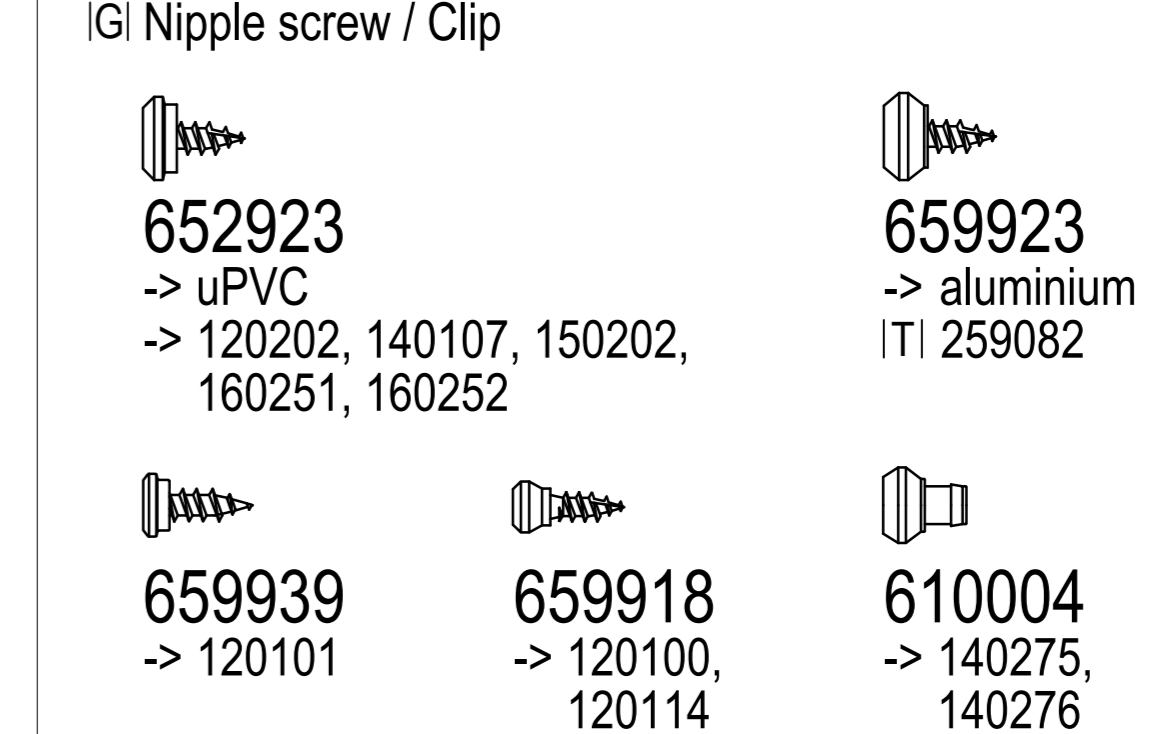
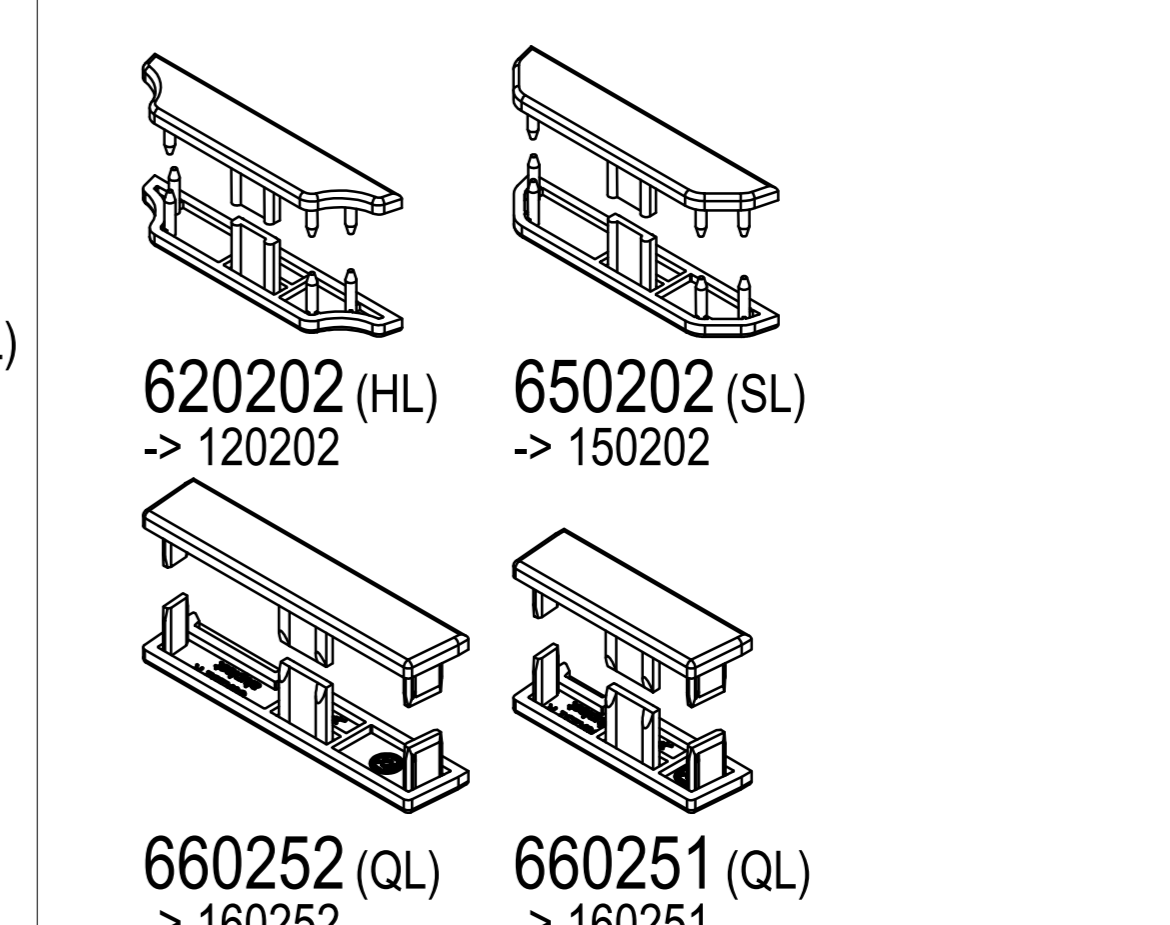
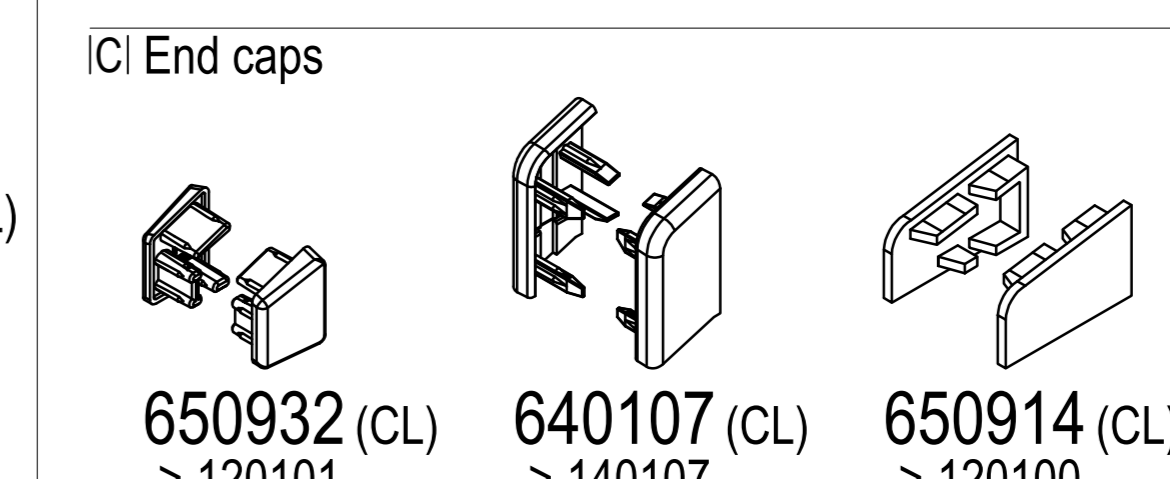
General



Accessories



[mm] t	b	l	AI Spacer	bl	color	quantity
6	...	100	AI 640305 gn	black	black	6
5	50	100	AI 660948 gn	green	green	5
5	40	100	AI 659938 gn	green	green	5
5	34	100	AI 659908 gn	green	green	5
5	28	100	AI 659907 gn	green	green	5
5	25	90	AI 669944 gn	green	green	5
4	50	100	AI 640304 ye	yellow	yellow	4
4	40	100	AI 660947 ye	yellow	yellow	4
4	34	100	AI 659937 ye	yellow	yellow	4
4	28	100	AI 669910 ye	yellow	yellow	4
4	20	100	AI 669920 ye	yellow	yellow	4
3	50	100	AI 640303 red	red	red	3
3	40	100	AI 660946 red	red	red	3
3	34	100	AI 659936 red	red	red	3
3	28	100	AI 669911 red	red	red	3
3	20	100	AI 669919 red	red	red	3
3	12	100	AI 669922 red	red	red	3
2	50	100	AI 640306 blu	blue	blue	2
2	40	100	AI 660945 blu	blue	blue	2
2	34	100	AI 659935 blu	blue	blue	2
2	28	100	AI 669912 blu	blue	blue	2
2	25	90	AI 659906 blu	blue	blue	2
2	20	100	AI 660916 blu	blue	blue	2
2	12	100	AI 660911 blu	blue	blue	2
1	25	90	AI 659905 wh	white	white	1
0	-	-	-	not required	not required	0



Construction depth
->60mm ->IDEAL 2000
->70mm ->IDEAL 4000
->76mm ->energeto neo
->85mm ->IDEAL 7000 / 8000
... ->IDEAL 2000 - 8000

SL visible length
AU exterior perimeter

Extensions

120220 ->60/70mm
140209 ->70mm + IHI 680200 ->85mm
160201 ->76/85mm
180209 ->85mm
120242 ->60/70mm + IHI 680200 ->85mm
140205 ->70mm + IHI 680200 ->85mm
160202 ->76/85mm
180201 ->85mm
120221 ->60/70mm + IHI 680200 ->85mm
140207 ->70mm + IHI 680200 ->85mm
160203 ->76/85mm
180203 ->85mm
140208 ->70/85mm
160204 ->76/85mm
180204 ->85mm
140206 ->70/85mm
140227 ->70mm
160227 ->76mm
180227 ->85mm

Sill connector

120238 ->60/70mm
144216 ->70/76/85mm
124214 IFI 22x22mm
120210
120102
120237
120209
120206
130211 bl
130212 pw
120106
140277
140279 ->70/76/85mm
140198 IHI 620198
120223 ->60/70mm
140200 ->70mm + IHI 680200 ->85mm
144215
184247 ->70/76/85mm
144215
144247
144239
160223 ->76/85mm
1602260000020 ->76/85mm
120223 ->60/70mm + IHI 680200 ->85mm
140200 ->70mm + IHI 680200 ->85mm

Accessories

680200 ->85mm + 120221, 120223, 120242, 140200, 140205, 140207, 140209
644299 IHI 469299, 742299, 762299, 782299
682333 General -> Extension profile
640331 protrusion 30mm ->100kg, 50mm ->60kg, 70mm ->30kg
680414 -> 080x04, 180x04
620410 -> General
620198 -> 140198
282017 -> energeto neo energeto 7000 / 8000
aluskin Aluminium shells IPI -> Extension profile
249335 (CL) -> 120242, 140205, 160202, 180201
249360 (CL) -> 120221, 140207, 160203, 180203
249310 (CL) -> 140208, 160204, 180204
742299 bl ->70mm -> Extension profile -> Extension profile -> Extension profile IHI 644299
762299 bl ->76mm -> Extension profile -> Extension profile -> Extension profile IHI 644299
782299 bl ->85mm -> Extension profile -> Extension profile -> Extension profile IHI 644299
469299 bl TPE ->76mm -> Extension profile IHI 644299
449251 bl pw
690060 ->60mm
690070 ->70mm
690076 ->76mm
690085 ->85mm -> Extension profile

ZI Special accessories
680299 ~13/17x20x1000mm -> 184247

not laminated
 laminated
 foam inside ->
 -> for
 gn green
 bl black
 pw papyrus-white
 Construction depth
 ->60mm ->IDEAL 2000
 ->70mm ->IDEAL 4000
 ->76mm ->energeto neo
 ->85mm ->IDEAL 7000 / 8000
 ... ->IDEAL 2000 - 8000
 SL visible length
 AU exterior perimeter

Couplings

Technical drawings and specifications for various coupling profiles including 120116, 120224, 140203, 120217, 140267, 160267, 180267, and 120219.

Technical drawings and specifications for various structural profiles including 120218, 140268, 140218, 120275, 160248, 120240, 120241, 140243, 160243, 140244, 180218, and 180218...0020.

Technical drawings and specifications for various structural profiles including 120109, 140249, 160243, 140244, and 180218...0020.

Structural profiles

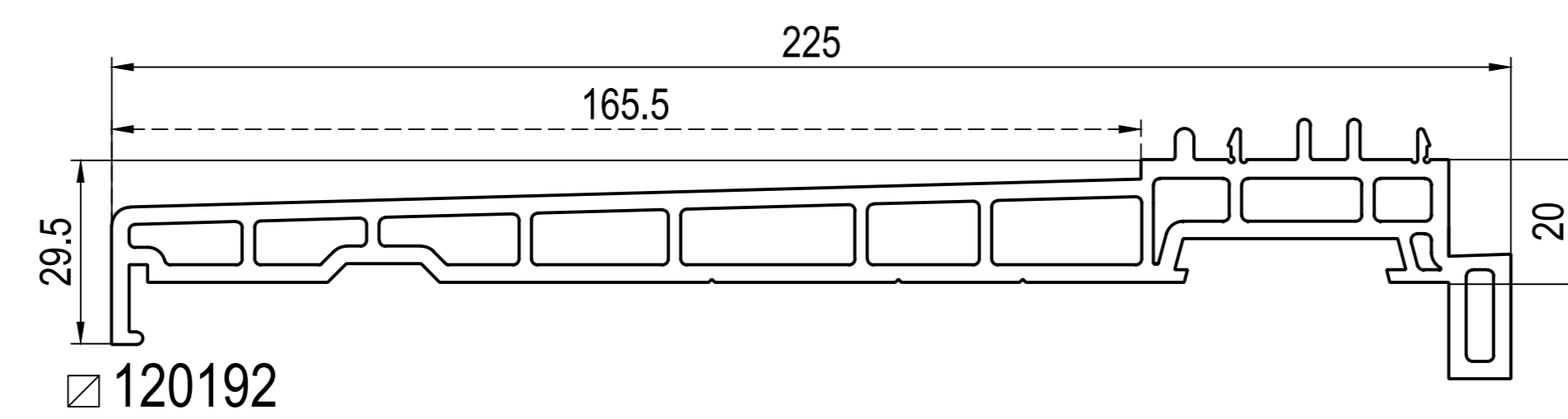
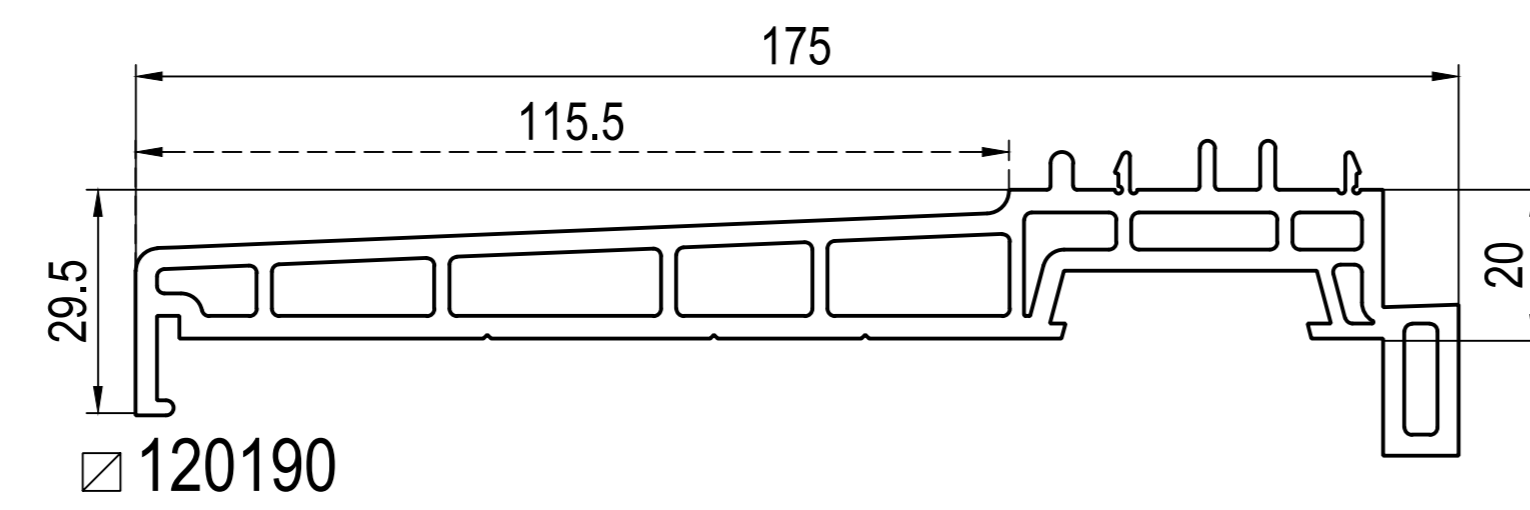
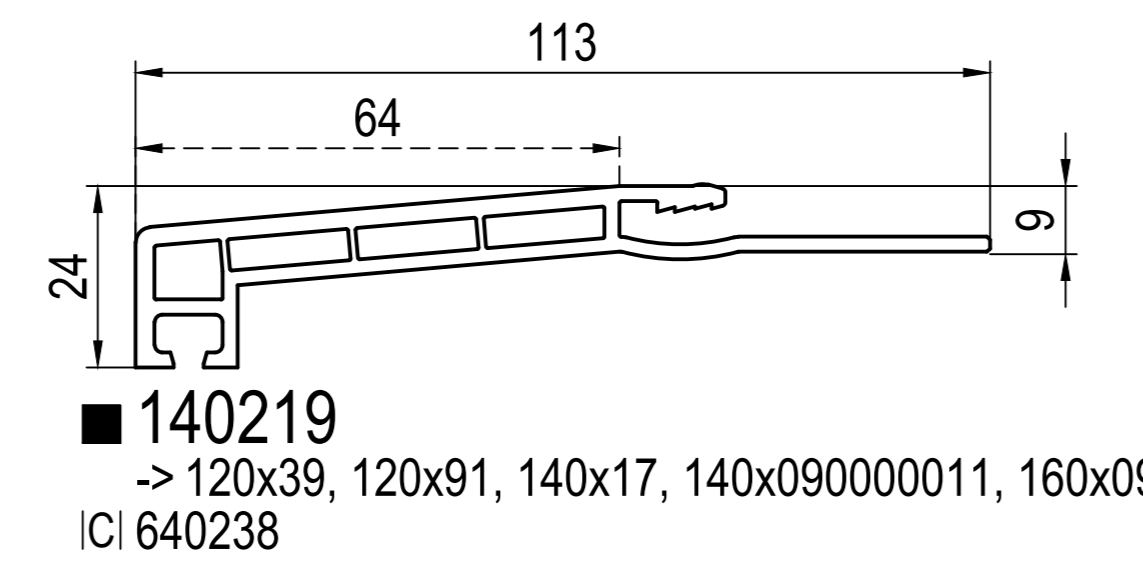
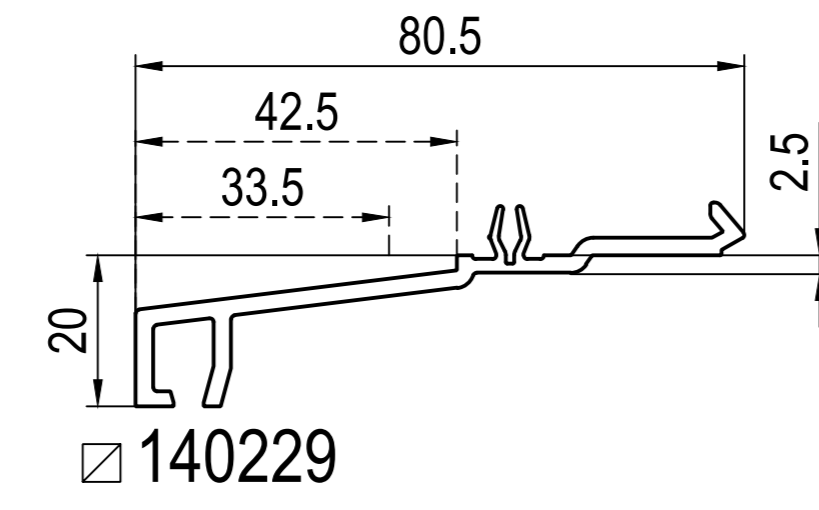
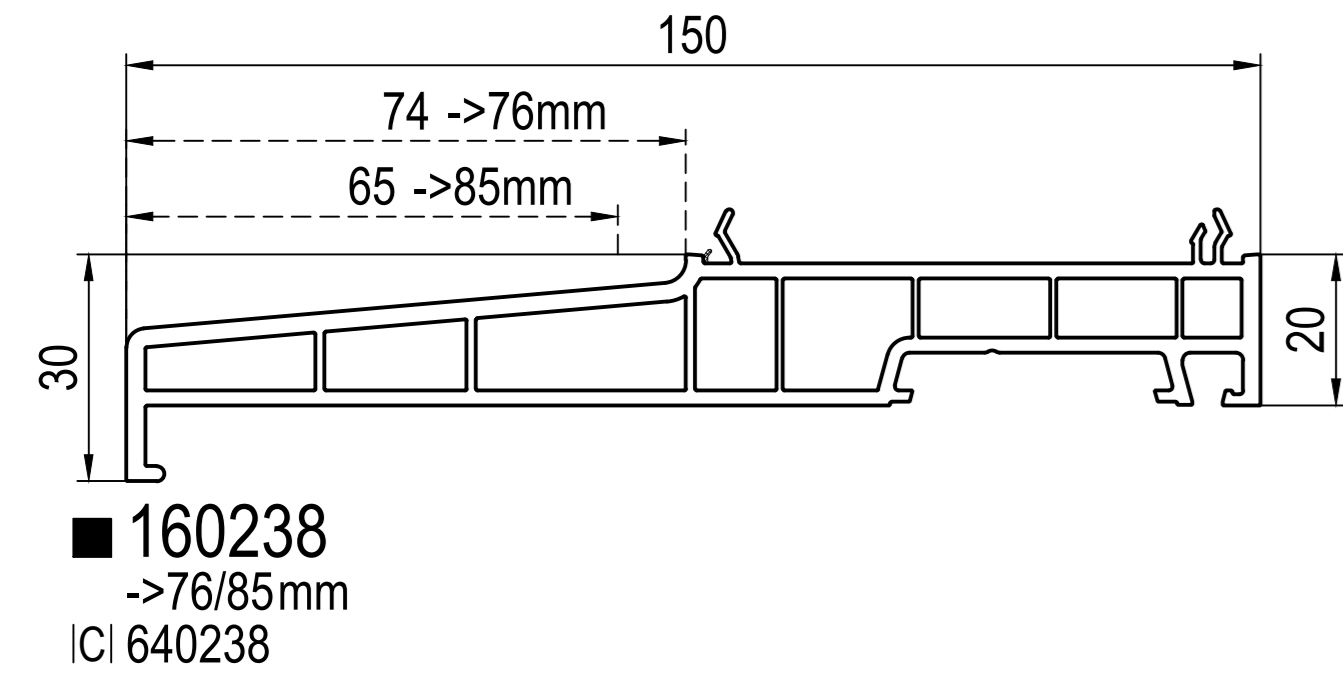
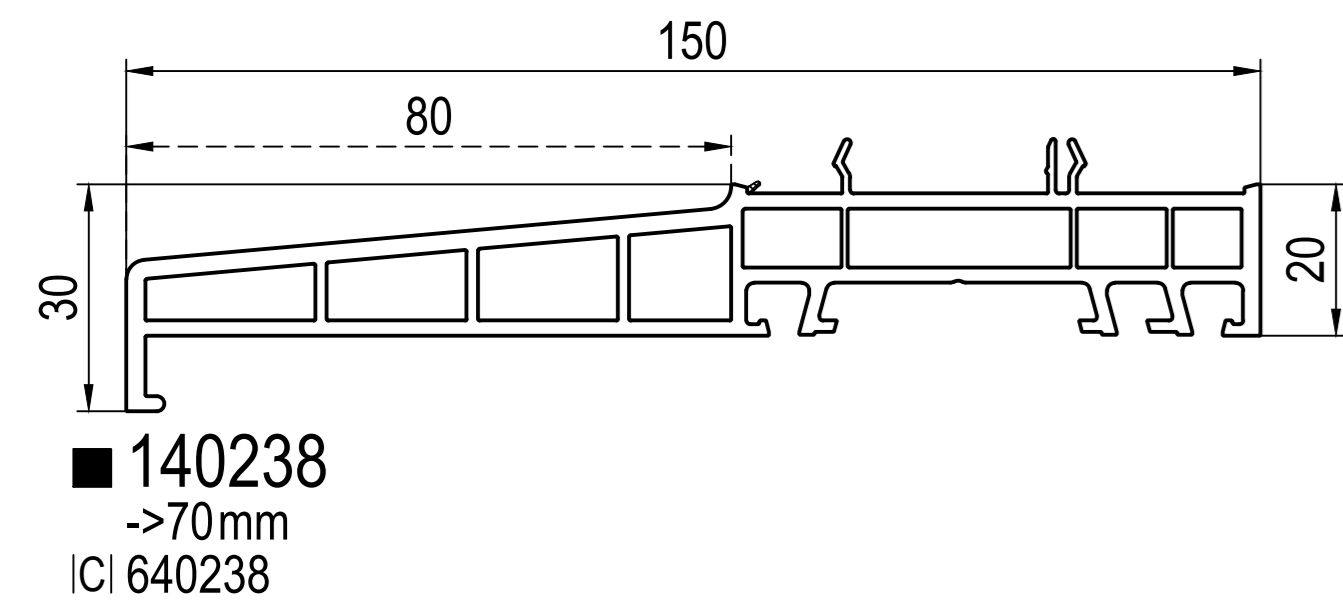
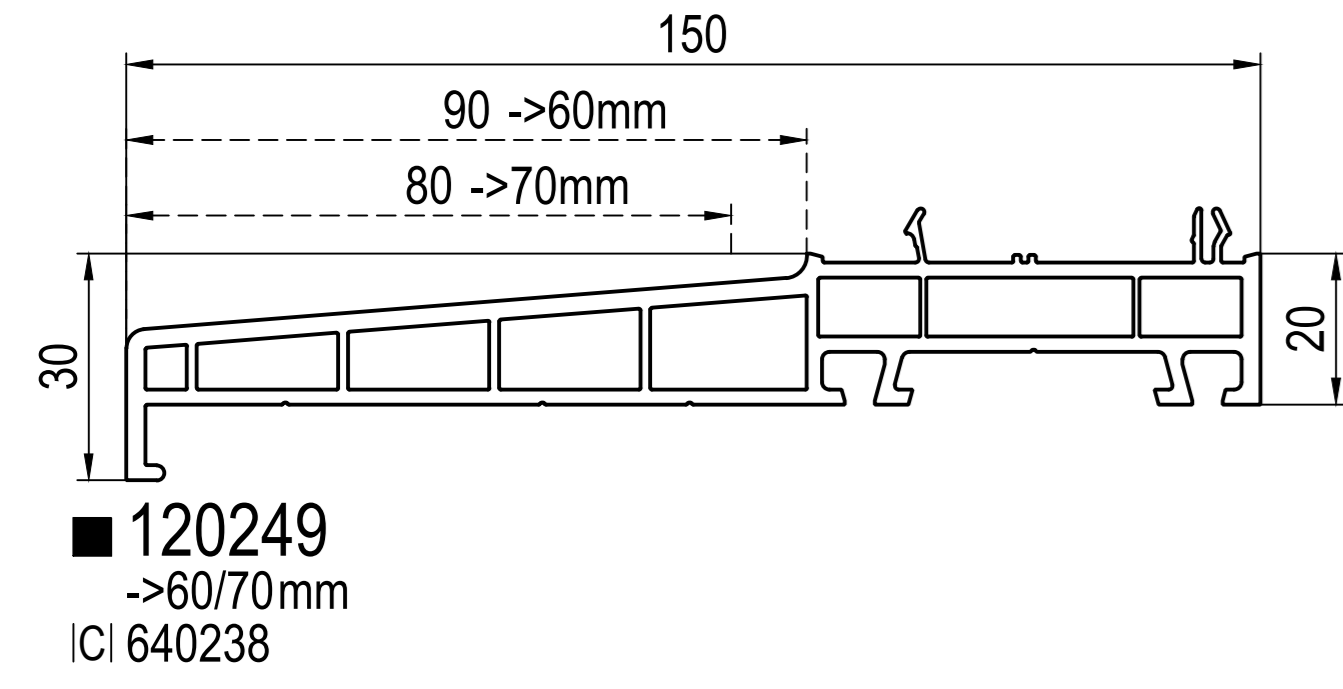
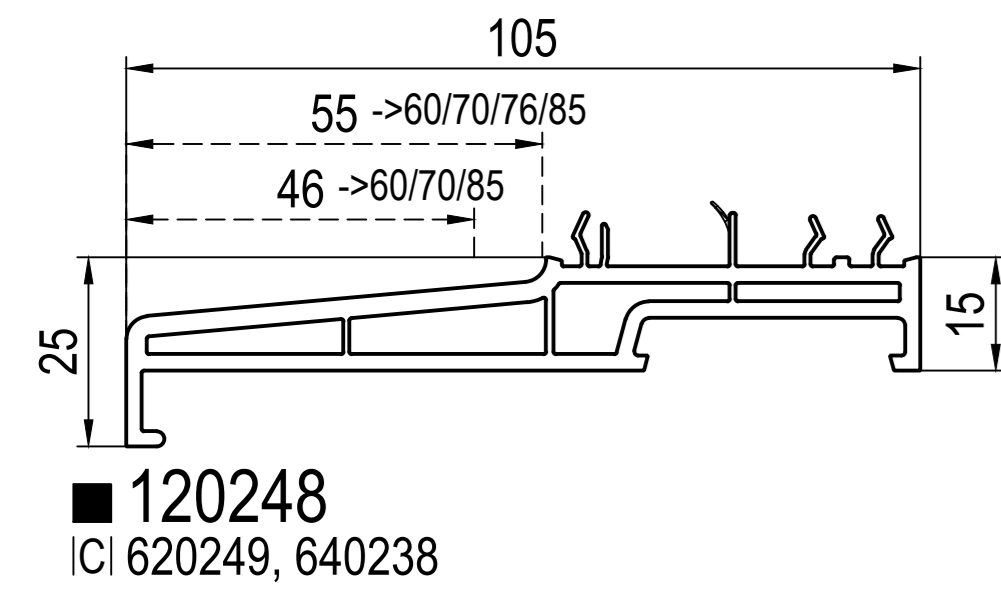
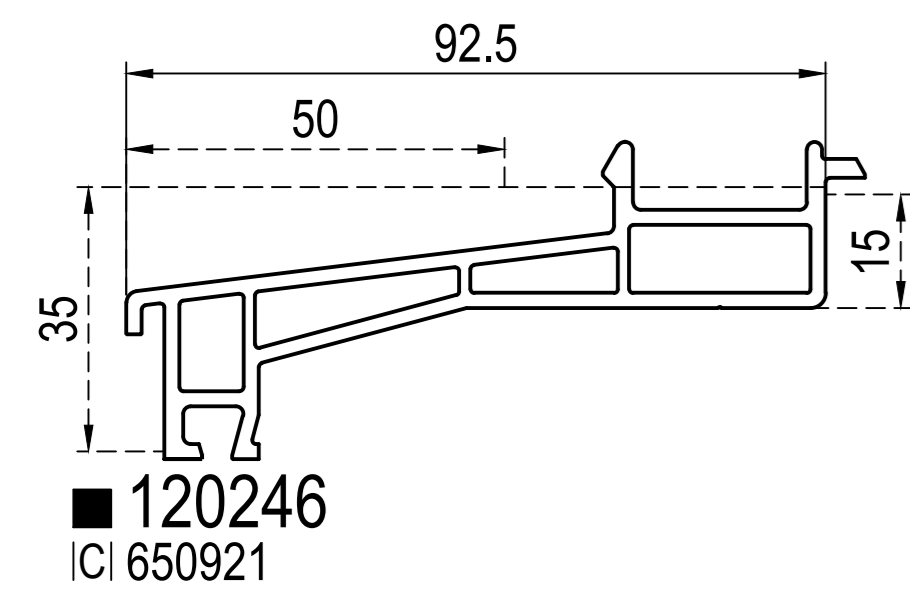
Technical drawings and specifications for structural profiles including 120109, 140249, 160243, 140244, and 180218...0020.

Accessories

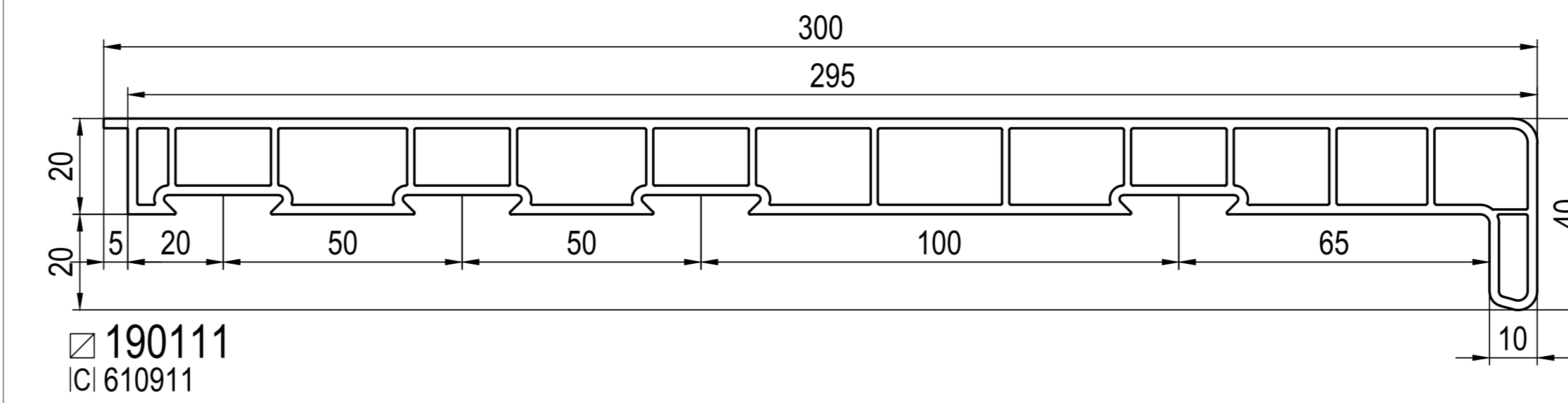
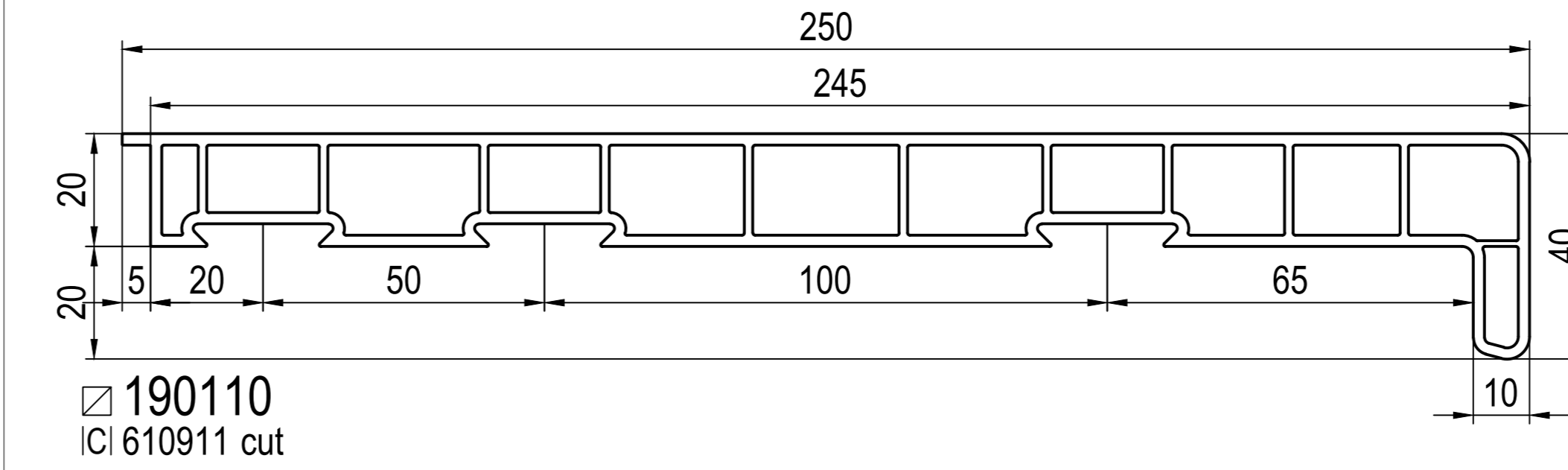
Technical drawings and specifications for various accessories including spacers, gaskets, and reinforcement anchors.

Technical drawings and specifications for various accessories including gaskets, reinforcement anchors, and installation details.

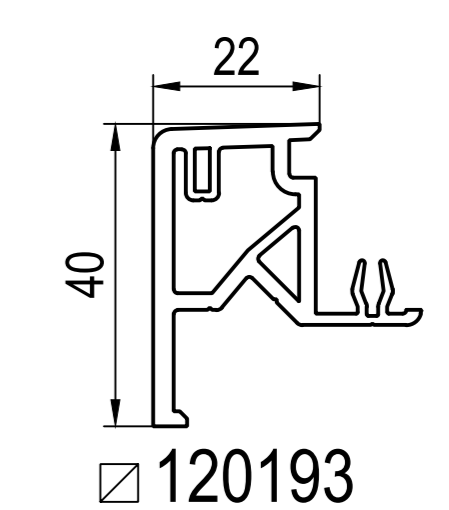
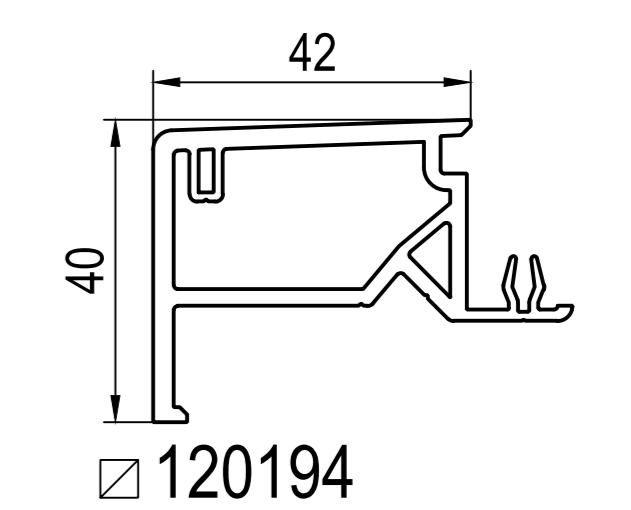
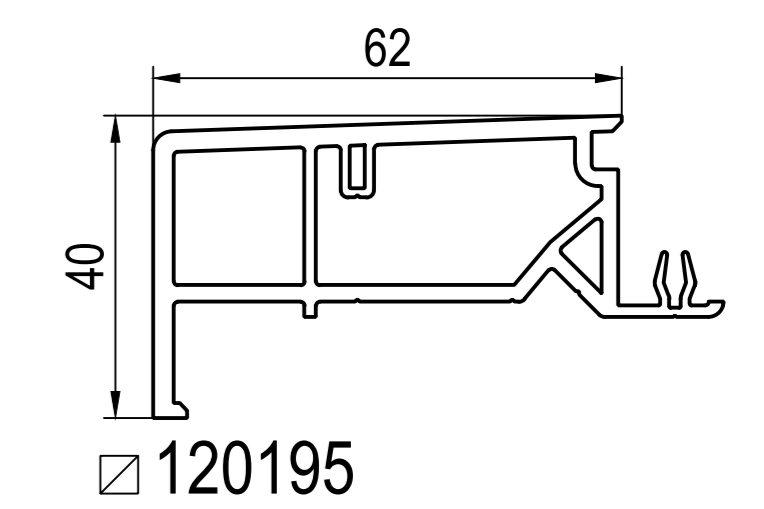
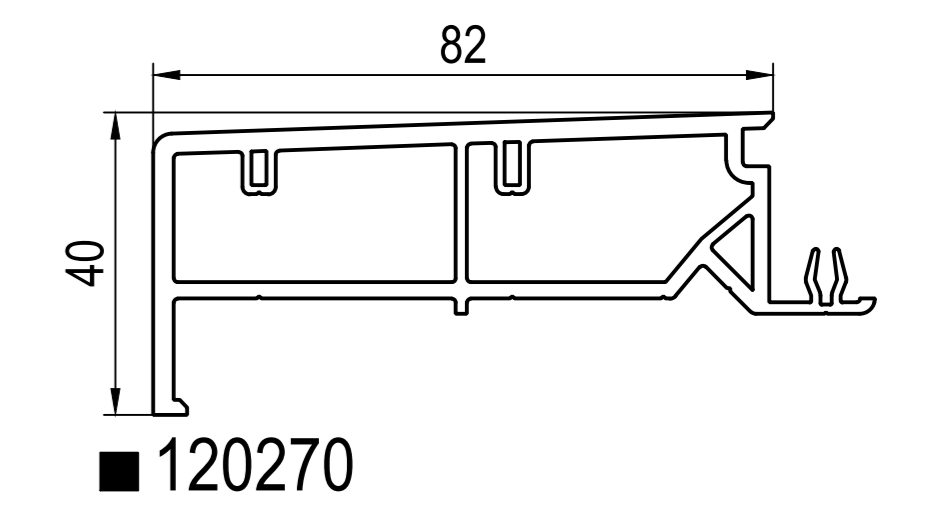
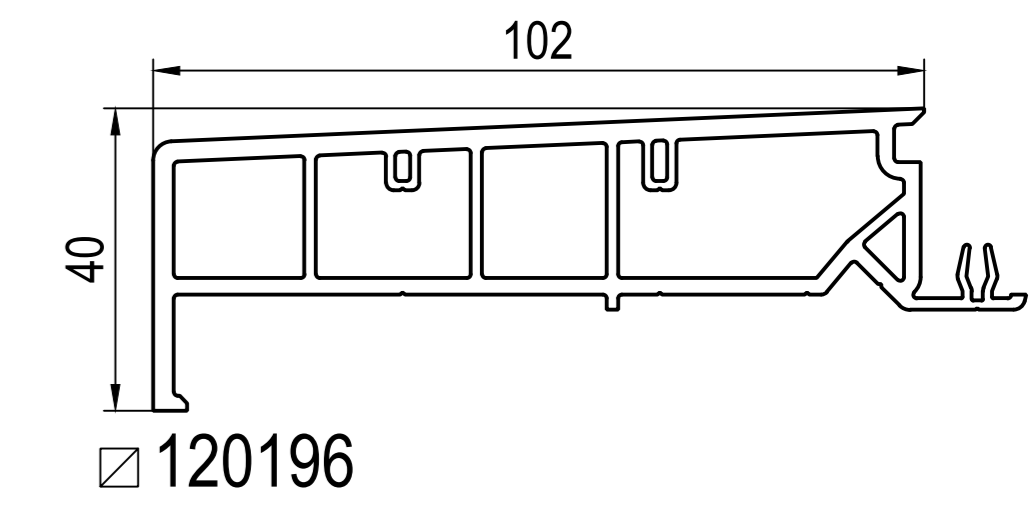
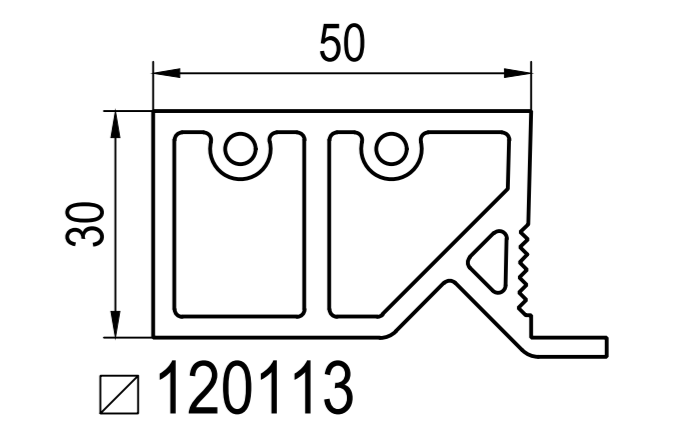
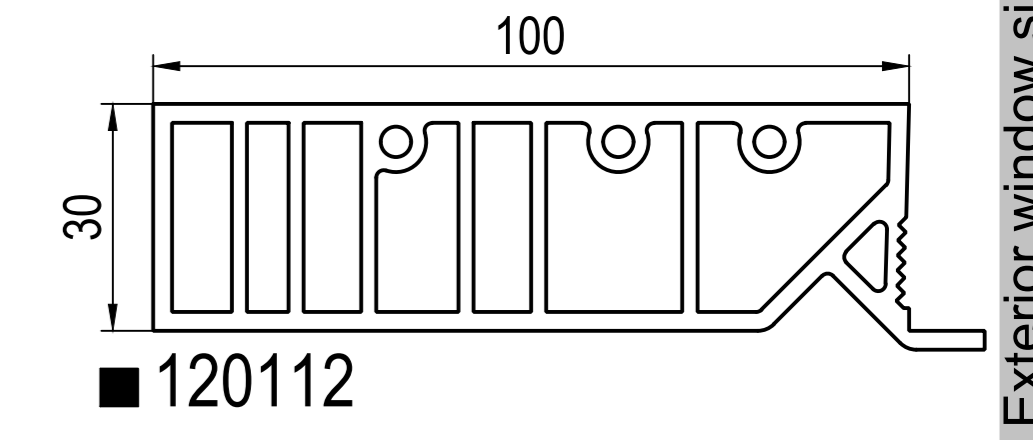
Exterior window sills



Interior window sills

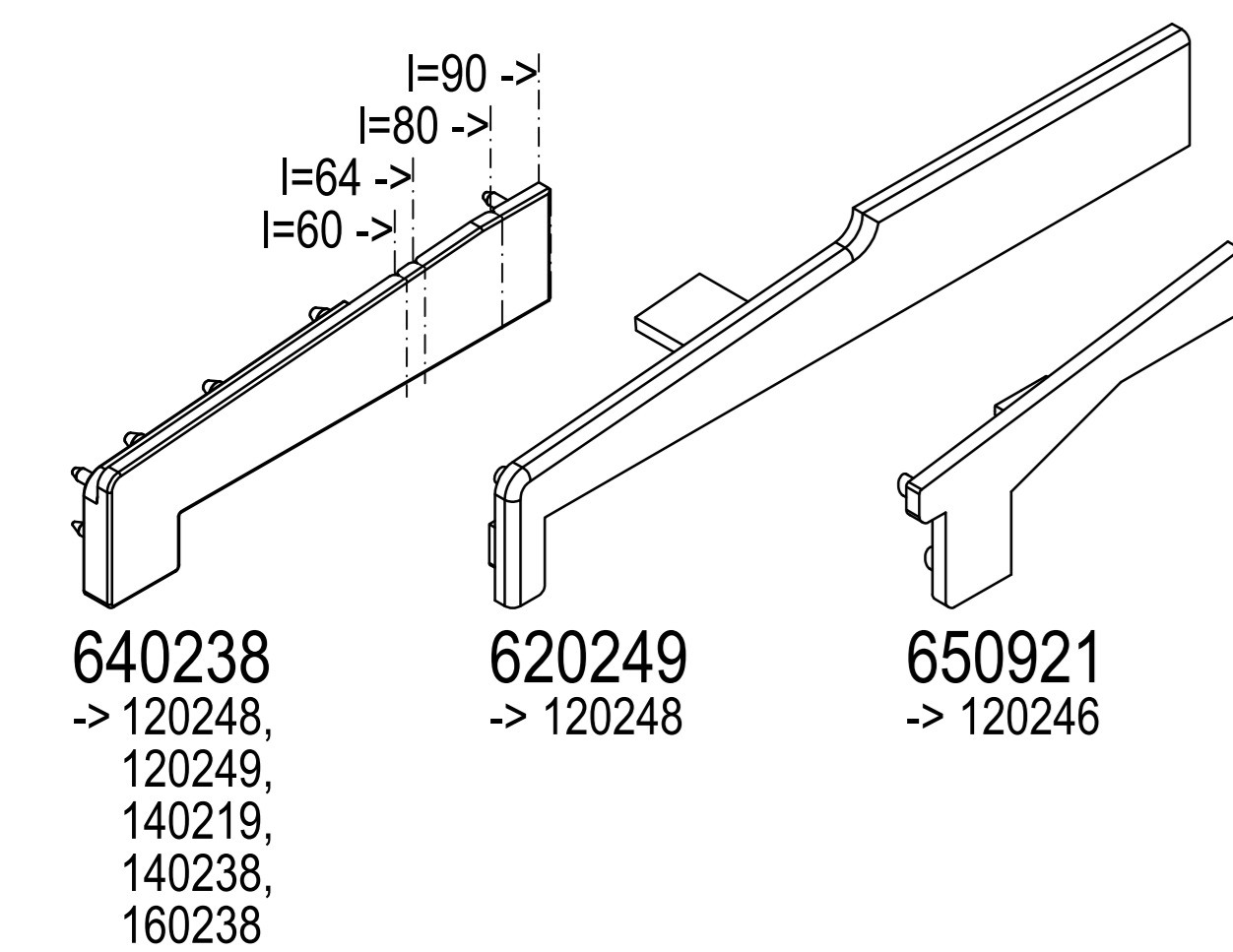


Frames



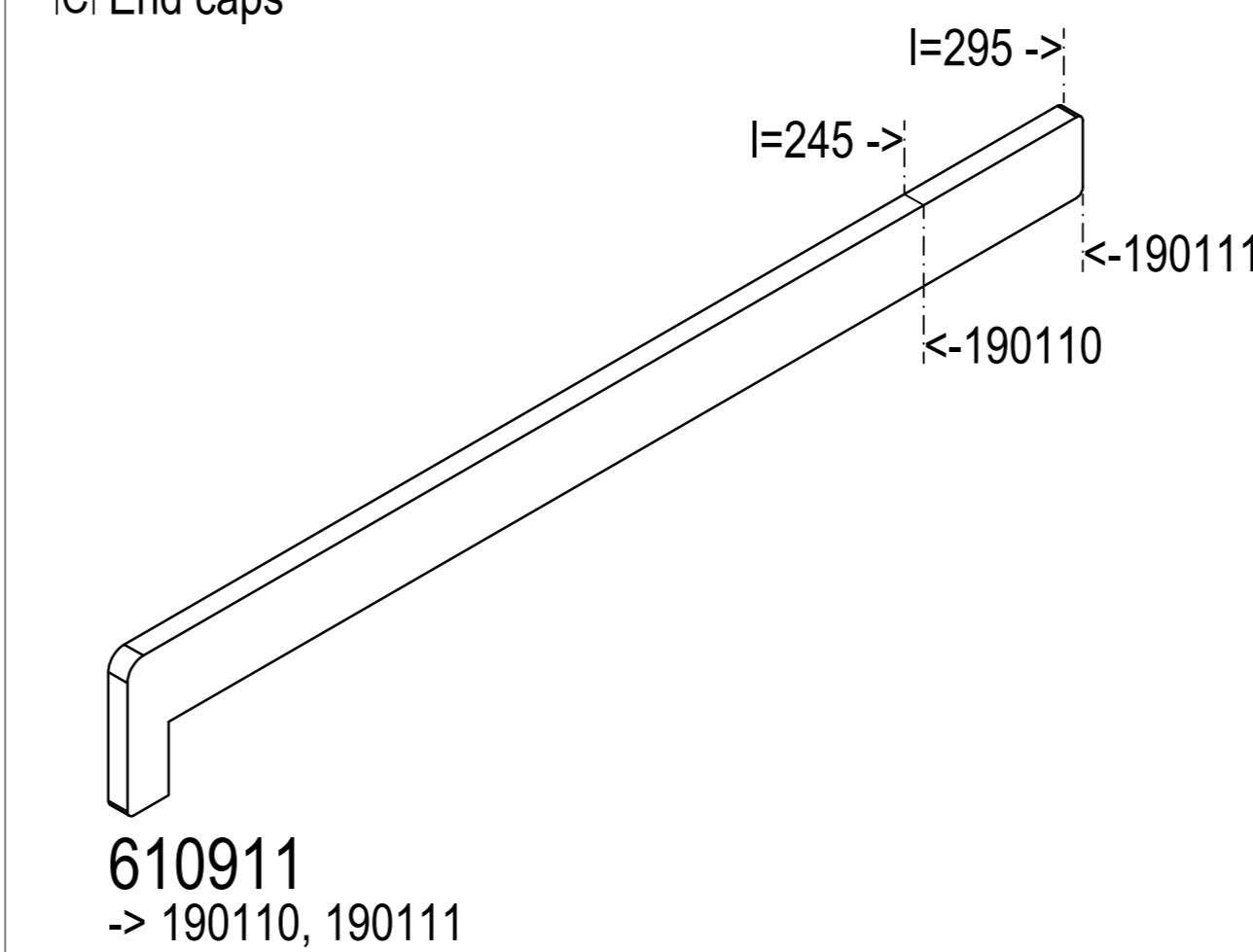
Accessories

ICI End caps



Accessories

ICI End caps



□ not laminated
 ■ laminated

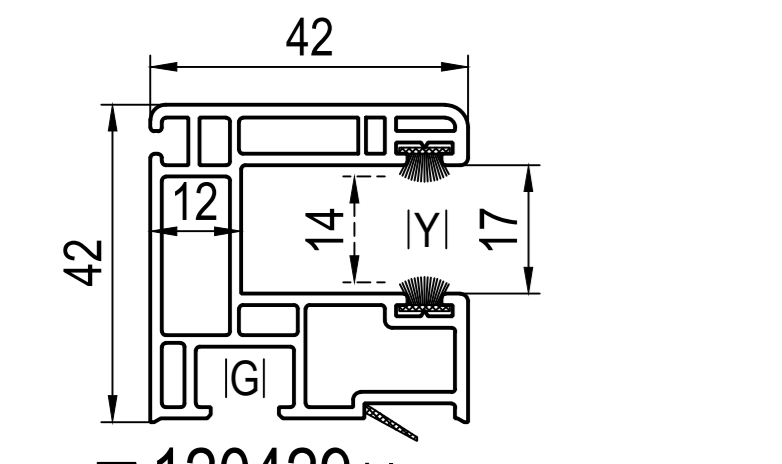
-> for

Construction depth
 ->60mm ->IDEAL 2000
 ->70mm ->IDEAL 4000
 ->76mm ->energeto neo
 ->85mm ->IDEAL 7000 / 8000
 ... ->IDEAL 2000 - 8000

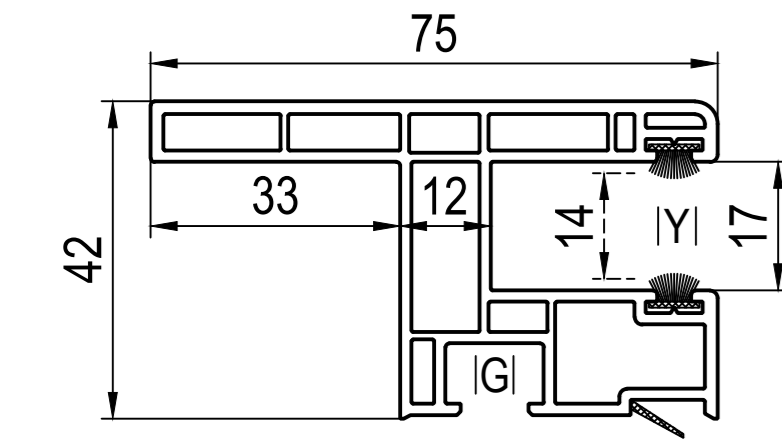
Roller shutter guides

-> max.-L

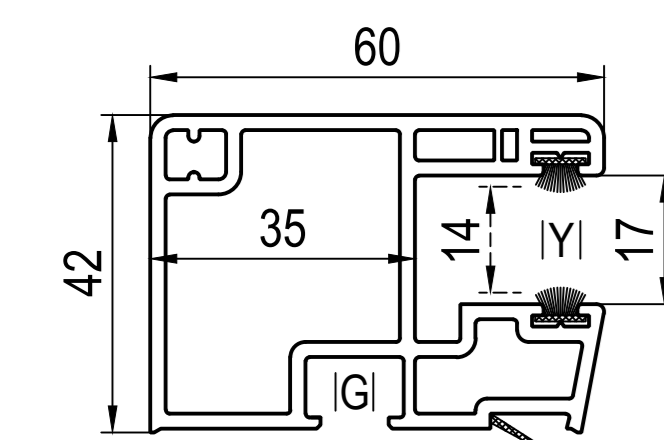
Roller shutter guides



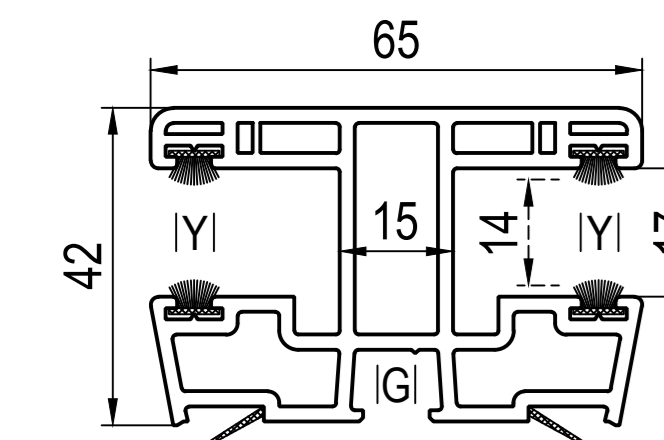
■ 120429 bl
-> max.-L
IBI 620042, 620044
CI 620032
GI 652923



■ 190433 bl
-> max.-L
IBI 620042, 620044
CI -
GI 652923



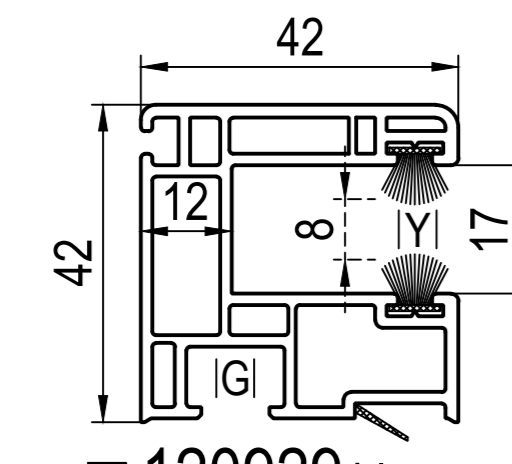
■ 190430 bl
-> max.-L
IBI 620038
CI 690030
GI 652923



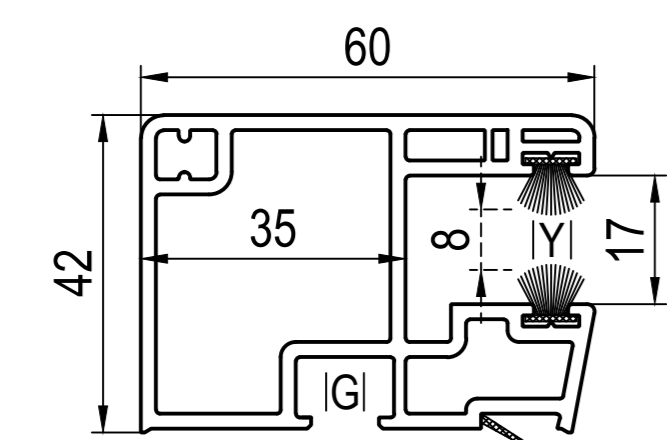
■ 190435 bl
-> max.-L
IBI 620038
CI 690035
GI 652923

-> mini-L

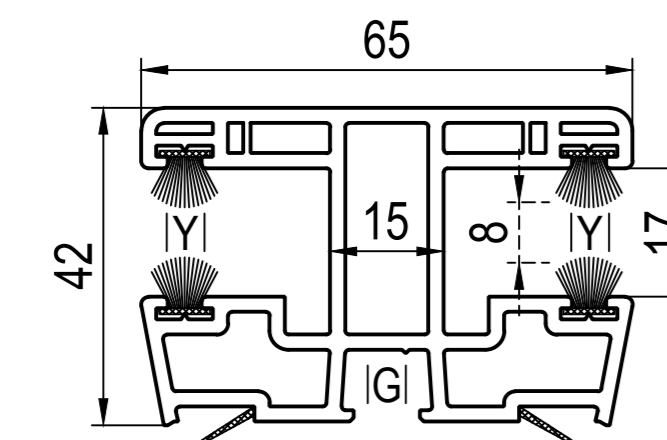
Roller shutter guides



■ 120929 bl
-> mini-L
IBI 620042, 620044
CI 620032
GI 652923



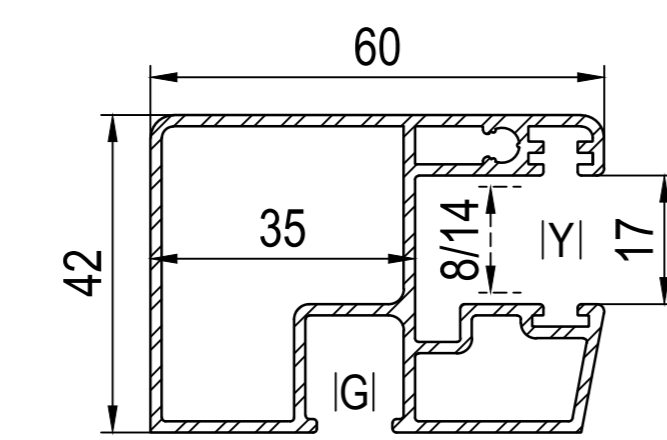
■ 190930 bl
-> mini-L
IBI 620038
CI 690030
GI 652923



■ 190935 bl
-> mini-L
IBI 620038
CI 690035
GI 652923

aluminium

IRI Aluminium roller shutter guides without brush seals



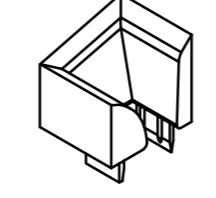
□ 260406
IBI 620038 SL 100mm
CI - AU 333mm
GI 659923 GU 579mm
YI 459930 -> max.-L
YI 459932 -> mini-L

Accessories

IBI Inlet funnel

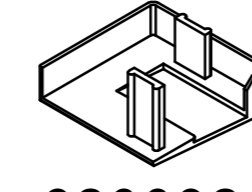


620044 -> 120429, 120929, 190433
620042 -> 120429, 120929, 190433
-> Roller shutter traverses 120230

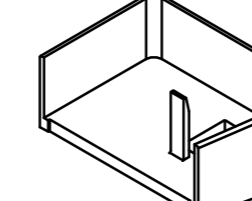


620038 -> 190430, 190930, 190435, 190935
IRI 260406

CI End caps



620032 -> 120429, 120929



690030 -> 190430, 190930
GI Nipple screw / Clip



652923 -> uPVC
-> 120429, 120929, 190430, 190930, 190433, 190435, 190935

YI Brush seals



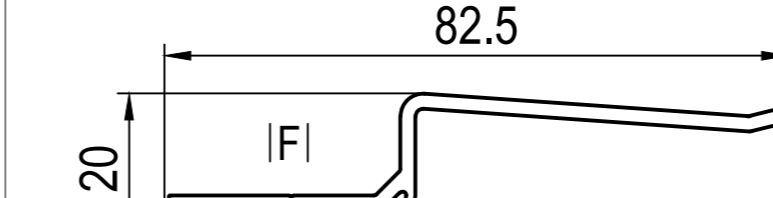
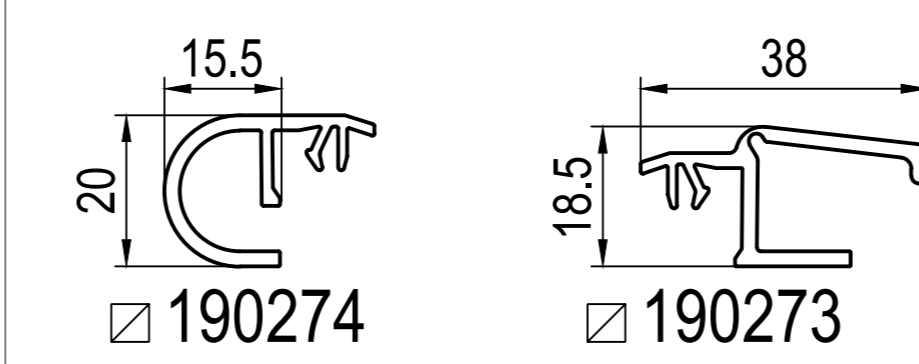
459930 bl -> max.-L
IRI 260406



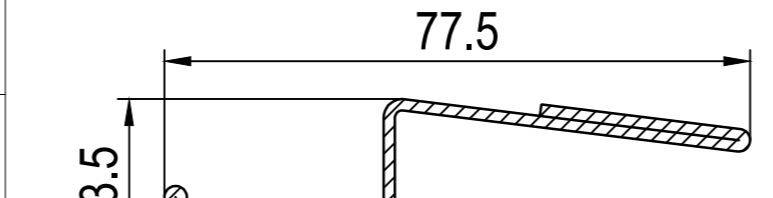
459932 bl -> mini-L
IRI 260406

Roller shutter

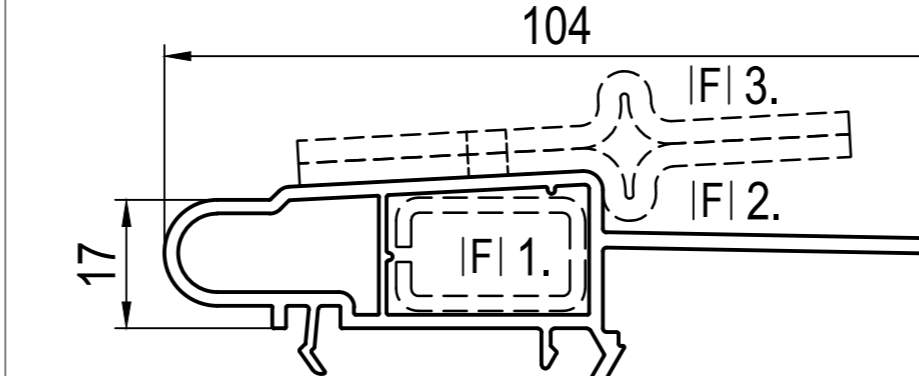
Roller shutter traverses



144233 IRI 249234



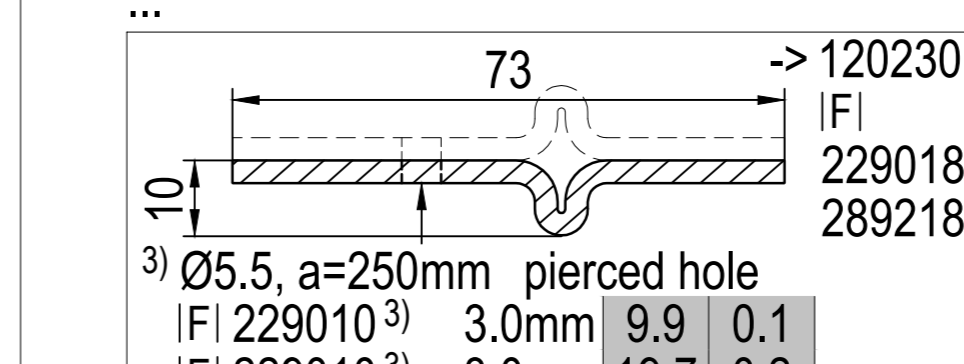
IRI 249234 s=1.5mm, lx=12.6cm⁴



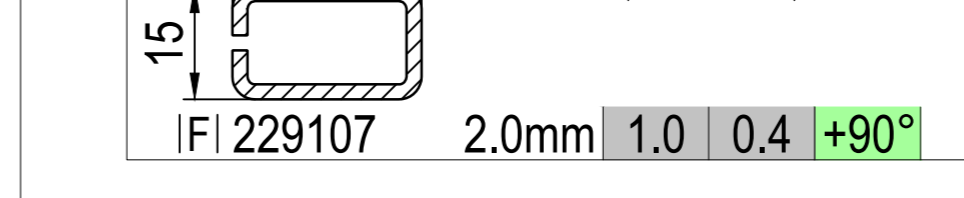
120230 IFI 1. 229107 s=2.0mm, lx=1.0cm⁴
2. 229010 s=3.0mm, lx=9.9cm⁴
3. 2x 229010 s=3.0mm, lx=19.7cm⁴

Accessories

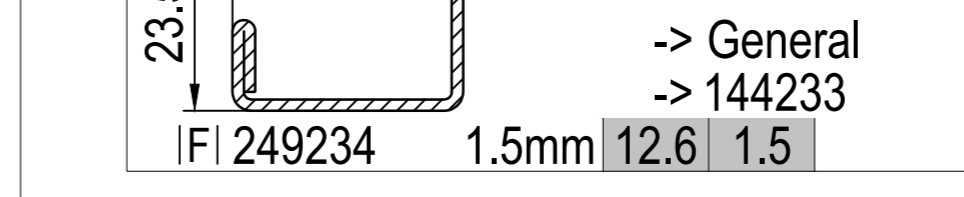
IFI Reinforcements s lx ly



120230 IFI 229018, 289218
3) Ø5.5, a=250mm pierced hole
IFI 229010³⁾ 3.0mm 9.9 0.1
IFI 229010³⁾ 2x 3.0mm 19.7 0.2



229107 IFI 229107 2.0mm 1.0 0.4 +90°

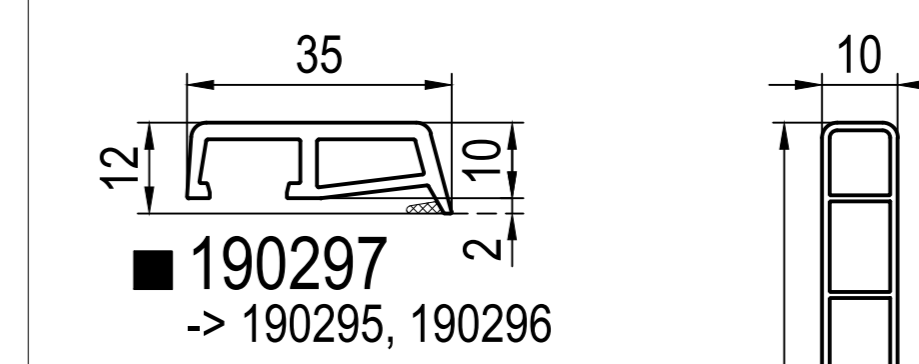


249234 IFI 249234 1.5mm 12.6 1.5
-> General -> 144233

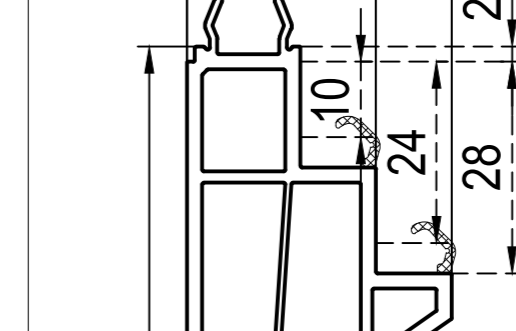
see plan: Reinforcements

Renovation box

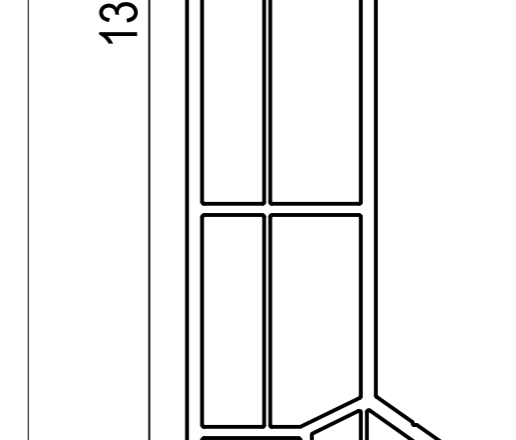
Renovation box



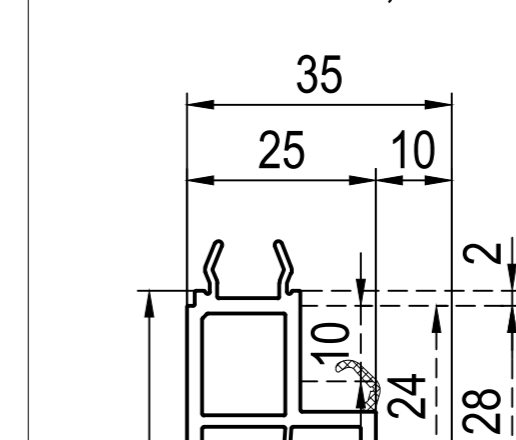
190297 -> 190295, 190296



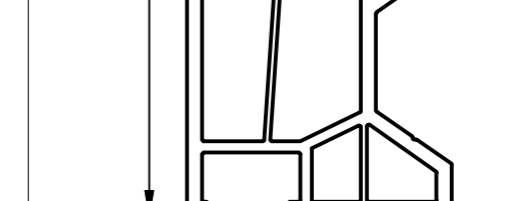
190296 -> 190295, 190297



140235



190295 -> 190296, 190297



140240 -> 140235

- not laminated
- laminated
- > for
- Roller shutter slats
mini-L ~ 8x37mm
max.-L ~ 14x52mm
- Brush seals
bl black
- SL visible length
- AU exterior perimeter
- GU overall perimeter

AI Spacer

General

Glazing thickness

wh blü red ye gn 5 6

1 Spacer see plan; 2 Additional Profiles 3 General 4 [mm] 5 6

IDEAL 2000 47 4-33mm 4-31mm
60 1:2 620301 red 625305 gn
IDEAL 2000 +8 55 4-42mm 4-38mm
IDEAL 4000 70 0mm 5mm
640301 640320
IDEAL 7000 / (NL) 65 8-52mm 8-30mm
85 0mm 5mm
620301 red 625305 gn
IDEAL 7000 energeto neo 81 28-71mm
85 0mm 32-75mm
620301 red 625305 gn
IDEAL 7000 / (NL) 65 8-52mm
IDEAL 8000 85-120 0mm
670301
IDEAL 8000 / (NL) 85-120 34-45mm 8-48mm
MD 65 130250
85-120 12mm 13mm
680016 680321
energeto neo 8-48mm 50-52mm
MD 65 76 4mm 4mm
665016 gn 662017 bl
energeto neo 8-52mm
MD 65 76 0mm
660301 red

IDEAL 2000 3-32mm
IDEAL 2000 +8 IDEAL 4000 4-42mm
IDEAL 4000 +8 IDEAL 8000 6-49mm
IDEAL 7000 / (NL) IDEAL 8000 / (NL) 8-52mm
IDEAL 8000 +8 IDEAL 8000 16-59mm
energeto neo 10-54mm
Option IJ Bonding of pane ≥ 24mm

47	3-32mm	3-20mm	4-35mm	4-38mm	-	-
55	4-42mm	4-20mm	6-35mm	6-38mm	6-44mm	(6-46mm)
63	6-49mm	6-20mm	8-35mm	8-38mm	8-44mm	8-48mm
65	8-52mm	8-20mm	10-35mm	10-38mm	10-44mm	10-48mm
73	16-59mm	-	16-35mm	16-38mm	16-44mm	16-48mm
67	10-54mm	10-20mm	10-35mm	10-38mm	10-44mm	10-48mm

AI Spacer 31-73 40-71 55-73 55-73 63-73 63-73

CI End caps

IDEAL 2000

620001 (CL) 620029 620415 (MB)
-> 120x63 -> 120x86, 120x82 -> 110x06, 110x08, 110x09, 120x19

IDEAL 2000 IDEAL 4000
640082
620097 (RL) -> 140x74, 140x76, 140x78, 140x82
-> 120x97
IDEAL 4000

640066 (CL) 640067 (SL) 640065 (CL)
-> 140x66 -> 140x67 -> 140x65

IDEAL 7000
670064 (CL) 670365 (CL) 670465 (CL)
-> 170x64 -> 170x65 -> 170x65
IC I 670465 IC I 670365

IDEAL 8000
680029 (CL) -> 080x89, 180x69

680366 (CL) 680466 (CL) 680566 (CL)
-> 180x66 -> 180x66 -> 180x66 + IPI
IC I 680466 IC I 680366 IC I 249341 (CL) IC I 680566 + IPI IC I 680466

energeto neo
680364 (CL) 680464 (CL) 680564 (CL)
-> 180x64 -> 180x64 -> 180x64 + IPI
IC I 680464 IC I 680364 IC I 259365 (CL) IC I 680464 + IPI IC I 680464

energeto neo +14
660077 (QL) 660097 (QL) 660597 (QL)
-> 060x77, 160x70, 160x74 -> 160x97 -> 160x97 + IPI
IPI 269597 (QL)

energeto neo 81 required IJ Bonding of pane

DI Connector

P-Plastic

energeto neo MD 65 -> 160x45
667145 667045
IC I 660950 IC I 660950

IDEAL 2000 -> 120x41, 120x45
627241
IC I -

IDEAL 2000 +8 IDEAL 4000
629111 P 627101 627102
IC I 620900 IC I 620900 IC I -
-> 140x41, 140x47 -> 140x45 -> 140x46

energeto neo MD 65
667146 667046
IC I 660950 IC I 660950

energeto neo MD 65
667141 667041
IC I 660950 IC I 660950

energeto neo MD 67
667048
IC I -
-> 160x41 -> 160x43

energeto neo +14 MD 81
667095 667096
IC I - IC I -
-> 170x57, 180x57, 180x57, 180x57

energeto neo MD 67
667048
IC I -
-> 160x41 -> 160x43

energeto neo MD 65
667095 670950 660950
-> IC I 677101, 677146, 679141, 677145, 677142, 677144, 677241, 677244, 677241

energeto neo MD 65
669032 bl 669033 bl
-> 180x44, 180x57 (NL) 180x57 (NL)
IC I 687131 IC I 687131 IC I 687102 IC I 687102

energeto neo
669032 bl 669034 bl
-> 160x45 MD 160x46 MD
IC I 667045, 667145 IC I 667046, 667146
IDEAL 7000 IDEAL 8000

479057 bl 489057 bl
470057 wh 480057 wh
-> 170x57 (NL) -> 180x57 (NL)
IC I 677101, 679141 IC I 687131 IC I 687102

DI Connector -> General
642140
IC I -

IDEAL 8000 +8 MD 73
IC I -
IC I -

IDEAL 8000 / (NL) MD 65
687131
IC I -
IC I 680950 IC I 687102 IC I 680950

IC I 650032, 659032 ->
IC I 650033, 659033 ->

EI Connector

-> IUI / universal P-Plastic

35x20x1000mm 45x20x1000mm
620046 P 640046 P
-> 120x41, 120x45, 140x41, 140x47 1x -> 160x41, 160x45, 180x44 2x -> 140x45, 160x43, 160x46, 170x44

40x20x1000mm 35.4x17.9x1000mm
650047 P 680046 P
-> 170x41 -> 180x46

82.5x20x1000mm
680047 P (NL) -> 170x53, 170x54, 170x55, 170x57, 180x54, 180x57

IC I Auxiliary parts IDEAL 2000 +8 IDEAL 4000
620900 640900 640901
-> IC I 627101, 627102, 629111, 627131, 627132 -> IC I 647131, 647132, 647133, 647136, 677103
IDEAL 7000 IDEAL 8000 energeto neo
670957 670950 660950
-> IC I 677101, 677146, 679141, 677145, 677142, 677144, 677241, 677244

IC I Gaskets IDEAL 8000 / (NL)
650032 wh 650033 wh
659032 bl 659033 bl
-> 180x44, 180x57 (NL) 180x57 (NL)
IC I 687131 IC I 687131 IC I 687102 IC I 687102

669032 bl 669034 bl
660032 wh 660034 wh
-> 160x45 MD 160x46 MD
IC I 667045, 667145 IC I 667046, 667146
IDEAL 7000 IDEAL 8000

479057 bl 489057 bl
470057 wh 480057 wh
-> 170x57 (NL) -> 180x57 (NL)
IC I 677101, 679141 IC I 687131 IC I 687102

EI Corner connector

IDEAL 4000

620125 620126 640032
IF I 229125, 229129 IF I 229126, 229131 IF I 249009
IC I 640938 IC I 640938 IC I 640938

640029 640031 680030
IF I 249029 IF I 229115 IF I 229115
IC I 640938 IC I 640938 IC I 640938

640038 660033
IF I 229135, 229137 IF I 269033, 269034
IC I 640938 IC I 640938

IF I see plan: Reinforcements
Lifter General IDEAL 2000
620440 640441 620441
-> Sash -> Frame -> Frame
IDEAL 4000 - 8000, energeto neo IDEAL 2000

640015 640012 624015
-> Frame -> Frame -> Frame

IJ Bonding of pane ≥ 24mm
H [mm] H [mm]
640033 red 3 640113 red 13
640034 ye 4
640035 gn 5
640020 red 11
H [mm] H [mm]
640015 wh 12 640014 red 13 640012 wh 12
640019 ye 14 640013 red 13
IDEAL 2000 - 8000, energeto neo

642262 bl 642261 bl 642263 bl
3.5mm > 45kg > 45kg
< 45kg < 45kg
646265 gr 646266 gr

Nord-line
4mm -> 4mm -> 4mm
642230 bl 642233 bl 642232 bl

IL Basic ventilation system IDEAL 8000
689350 bl 630315 650000
Basic Air max REGEL-air® Set Basic Air plus®
-> MD

IC I Auxiliary parts
640938
-> IE I 620125, 620126, 640029, 640031, 640032, 640038, 660033, 680030

AD Backstop Gasket System MD Centre Gasket System

Construction depth
-> 60mm ~ AD IDEAL 2000
-> 70mm ~ AD IDEAL 4000
-> 76mm ~ AD / MD energeto neo
-> 85mm ~ AD IDEAL 7000 / MD IDEAL 8000
-> 120mm ~ (MB) / (NL)

Glazing rebate
MD -> IAI or IJ I=Option
MD -> IJ I -> Nord-line

IXI Gaskets

459922 bl 459925 bl 459923 bl
457922 pw 450925 pw - pw

429338 bl 429330 bl 429334 bl
- pw 420330 wh 427334 pw
IDEAL 2000

429921 bl 429340 bl 429320 bl
427921 pw 420340 pw - pw
Standard Standard
IDEAL 4000 - 8000, energeto neo

479025 bl 479015 bl
477025 pw 477015 pw
Standard TPE

449340 bl 449042 bl 449343 bl
447340 pw 447042 pw 447343 pw
Standard Frame / Extension profile
energeto neo

uPVC-P
469019 bl 449251 bl 420250 wh
467019 pw - pw 421250 br
- MD 423250 oc 429250 bl

IZI Special accessories IDEAL 7000 / 8000
650295
~40x27x1000 mm
-> 070x20, 080x20
IDEAL 8000

680286 680285
~21x43.5x1000 mm
-> 080x04, 080x05

680289 680291
~52x20x1000 mm
-> 080x04, 180x04
energeto neo

660292 660291
~38x28.5x1000 mm
-> 060x20, 060x27

660289 660290
~51x28x1000 mm
-> 060x08

660290
~31x25x1000 mm
-> 060x05, 060x08, 160x07

blu blue
ye yellow
gn green
gr grey
red red
bl black
pw papyrus-white
wh white

UI Aluminium threshold Standard IDEAL 2000, IDEAL 4000, energeto neo, IDEAL 7000, IDEAL 8000, (NL) / (MB)

Accessories IDEAL 4000, IDEAL 7000, IDEAL 8000, energeto neo

Accessories IDEAL 4000, IDEAL 7000, IDEAL 8000, energeto neo, IDEAL 7000 (NL)

TI Aluminium weather bar General, energeto neo

CI End caps General, IDEAL 4000, energeto neo

GI Nipple screw / Clip General, JI Bonding of pane General, IYI Brush seals General

UI Aluminium threshold Alternative aluplast austria (A), IDEAL 8000

UI Aluminium threshold Alternative aluplast austria (A), energeto neo

UI Aluminium threshold Alternative IDEAL / energeto General

Additional Profiles table with columns for UI Aluminium threshold, b1, h1, b, h, and various profile options.

IXI Gaskets General, IDEAL 2000, IDEAL 4000, IDEAL 7000, IDEAL 8000, energeto neo

IXI Gaskets IDEAL 2000, IDEAL 4000, IDEAL 7000 (NL), IDEAL 8000 (NL), energeto neo

DI Connector, DI Auxiliary parts IDEAL 2000, IDEAL 4000, energeto neo

DI Auxiliary parts IDEAL 4000, IDEAL 7000, IDEAL 8000, energeto neo

VI Connection for threshold IDEAL 2000, IDEAL 4000, IDEAL 7000, IDEAL 8000, energeto neo

QI Aluminium step protection IDEAL 2000, IDEAL 4000, IDEAL 7000, IDEAL 8000, energeto neo

Additional Profiles table with columns for UI Aluminium threshold, b1, h1, b, h, and various profile options.

IXI Gaskets IDEAL 4000, IDEAL 7000, IDEAL 8000, energeto neo

IXI Gaskets IDEAL 2000, IDEAL 4000, IDEAL 7000 (NL), IDEAL 8000 (NL), energeto neo

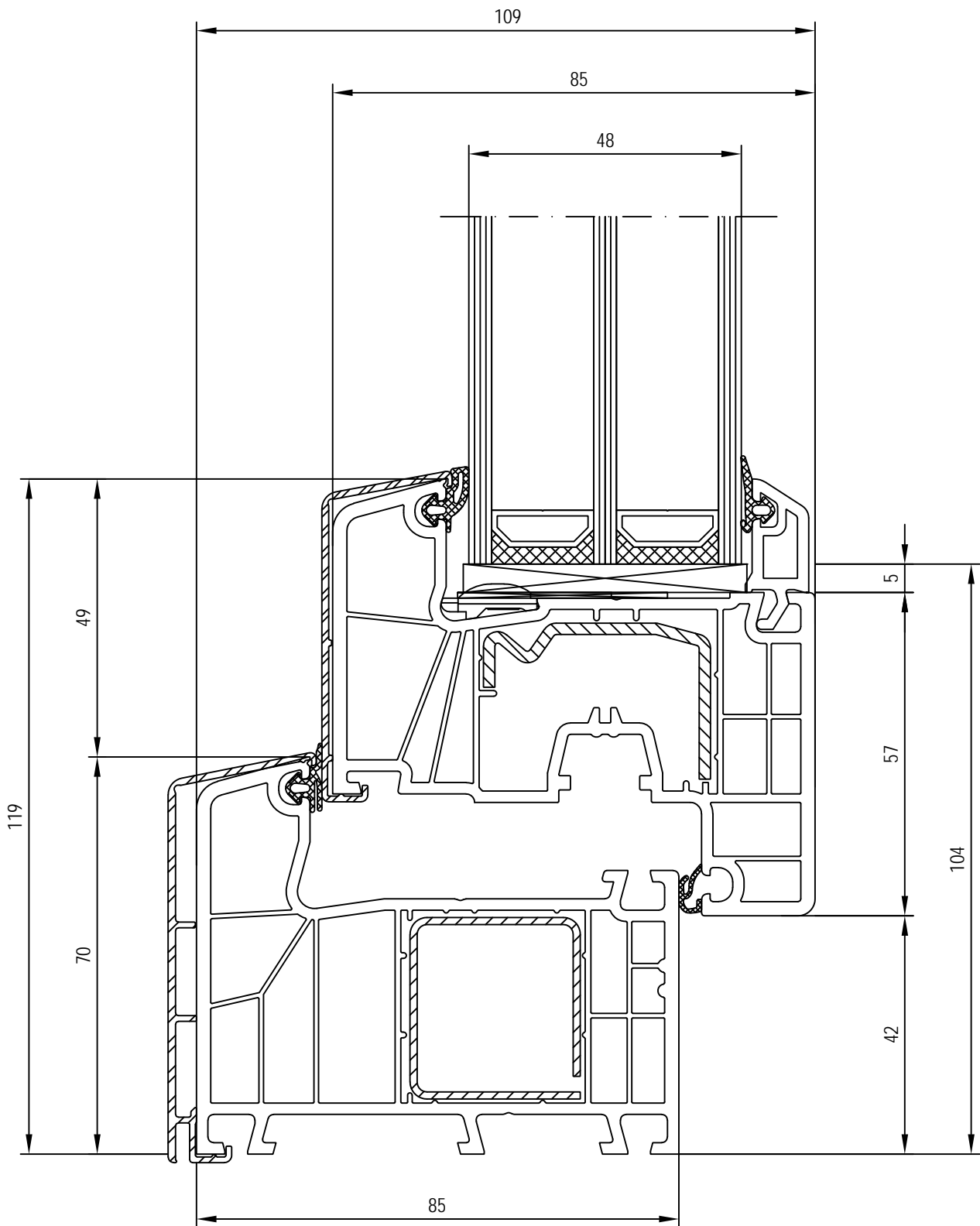
DI Connector, DI Auxiliary parts IDEAL 2000, IDEAL 4000, energeto neo

DI Auxiliary parts IDEAL 4000, IDEAL 7000, IDEAL 8000, energeto neo

VI Connection for threshold IDEAL 2000, IDEAL 4000, IDEAL 7000, IDEAL 8000, energeto neo

QI Aluminium step protection IDEAL 2000, IDEAL 4000, IDEAL 7000, IDEAL 8000, energeto neo

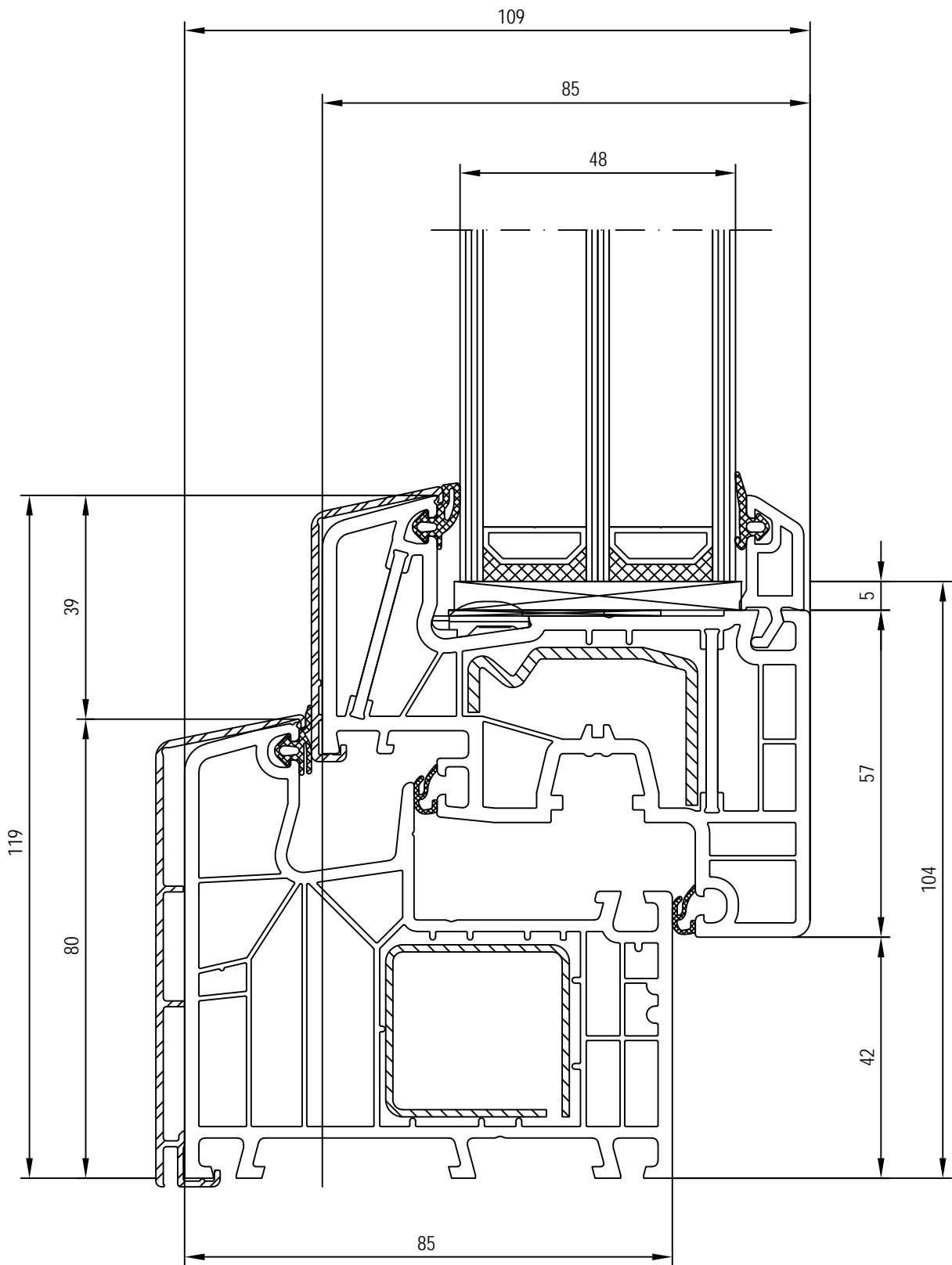
Legend for symbols: AD Backstop Gasket System, MD Centre Gasket System, not laminated, laminated, Construction depth, and color codes.



frame profile 85mm: 170x02
 sash profile 85mm: 170x20
 glazing bead: 120632



IDEAL 7000 with aluskin
 profile section

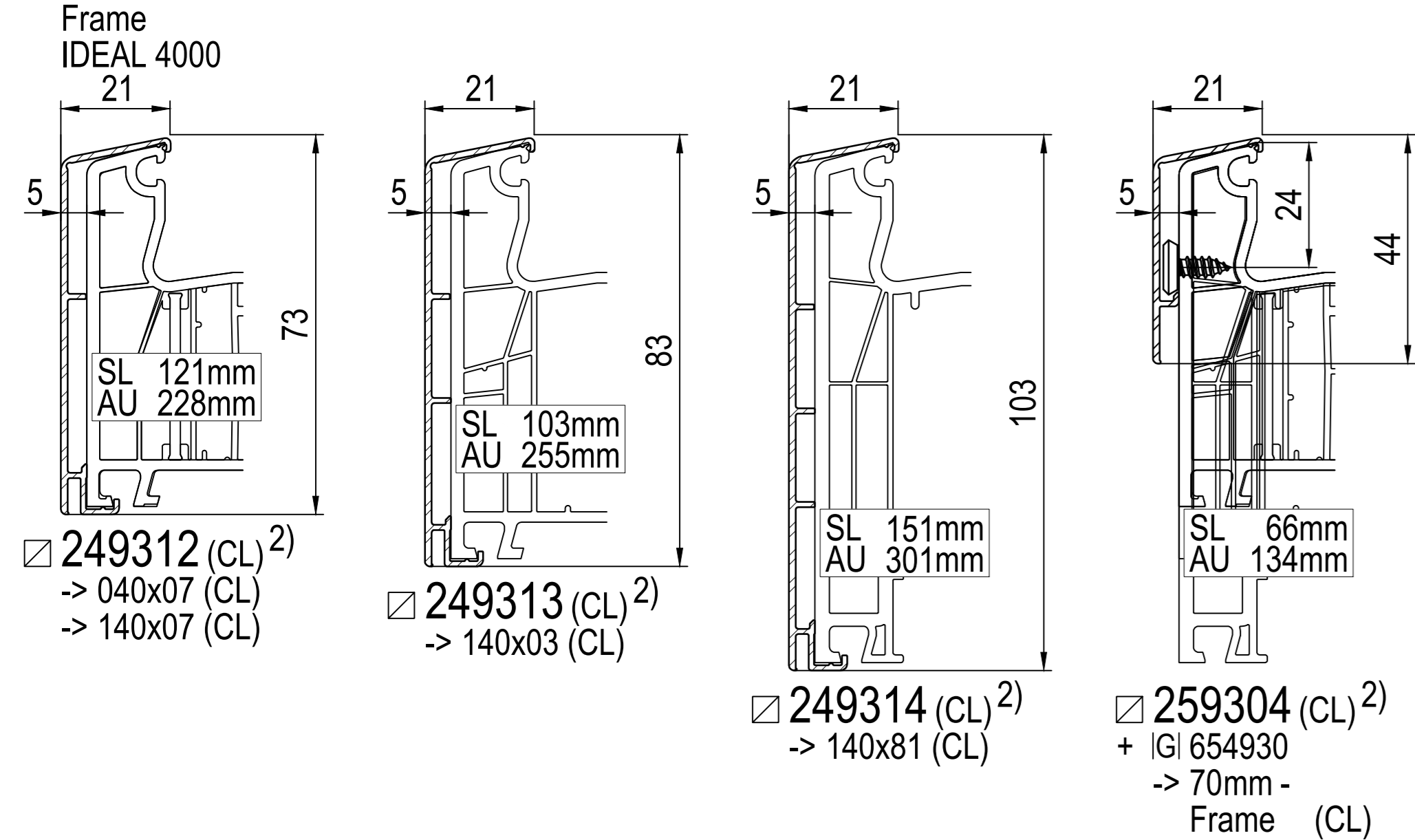


frame profile 85mm: 180x05
 sash profile 85mm: 080x20
 glazing bead: 120632

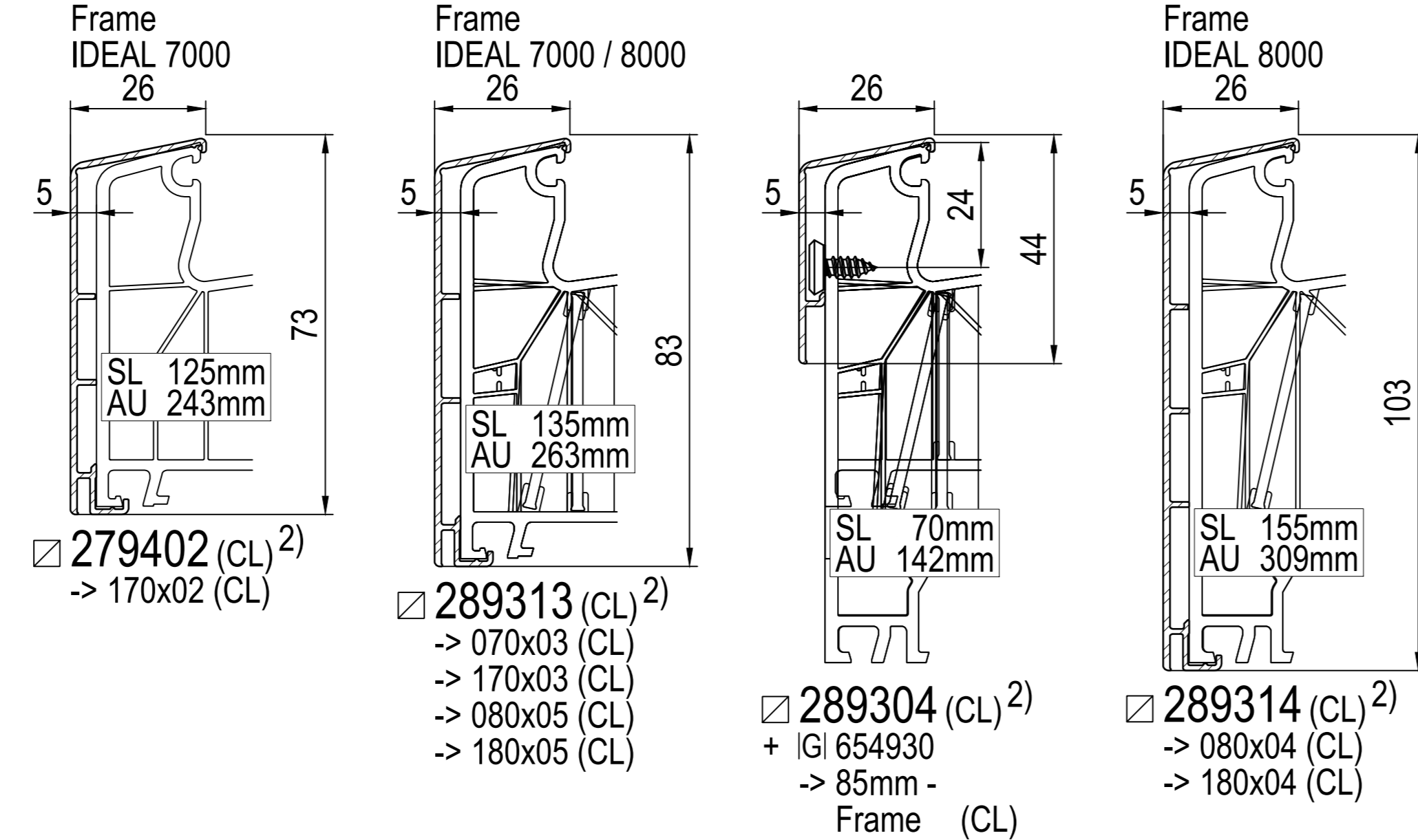


IDEAL 8000 with aluskin
 profile section

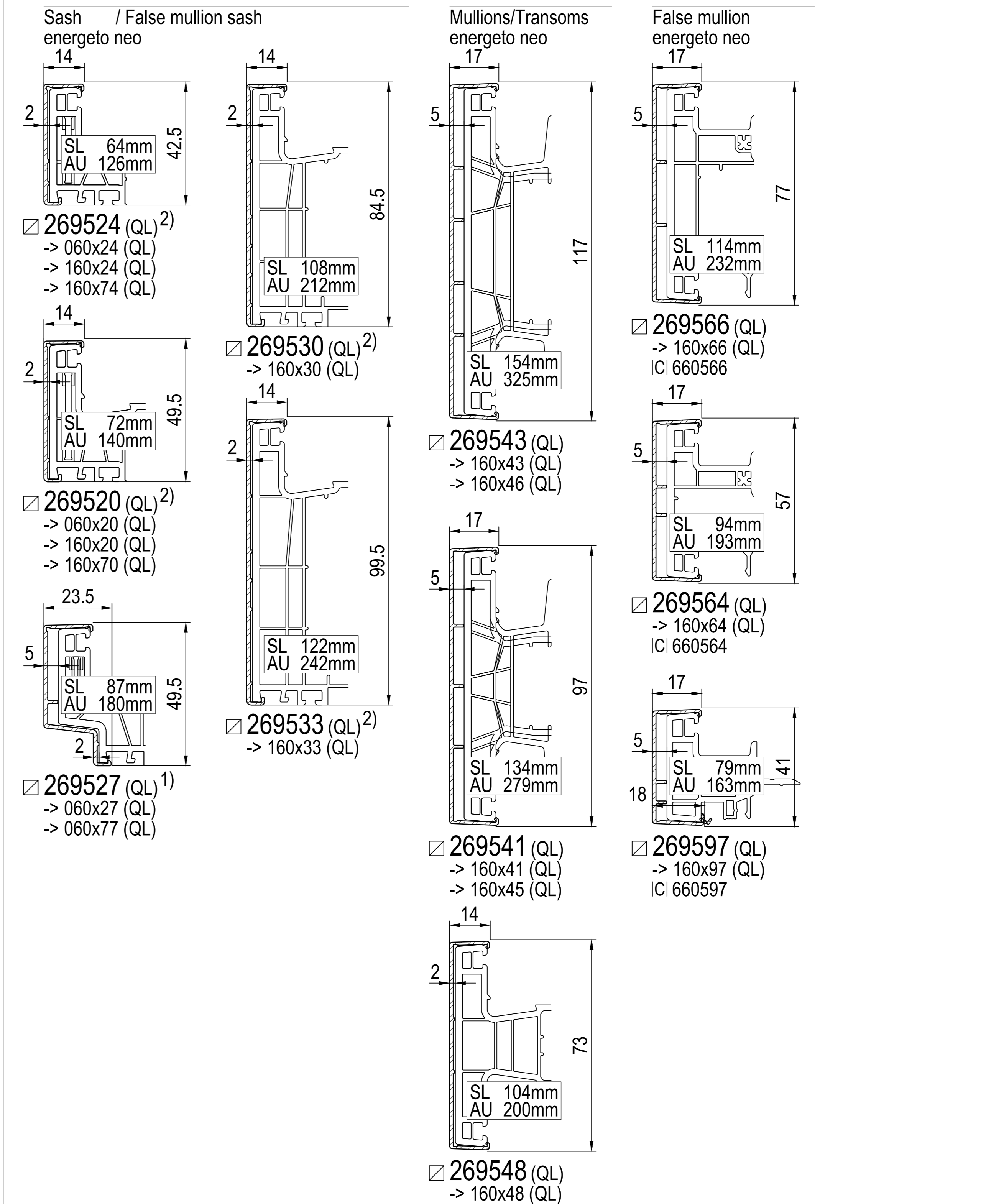
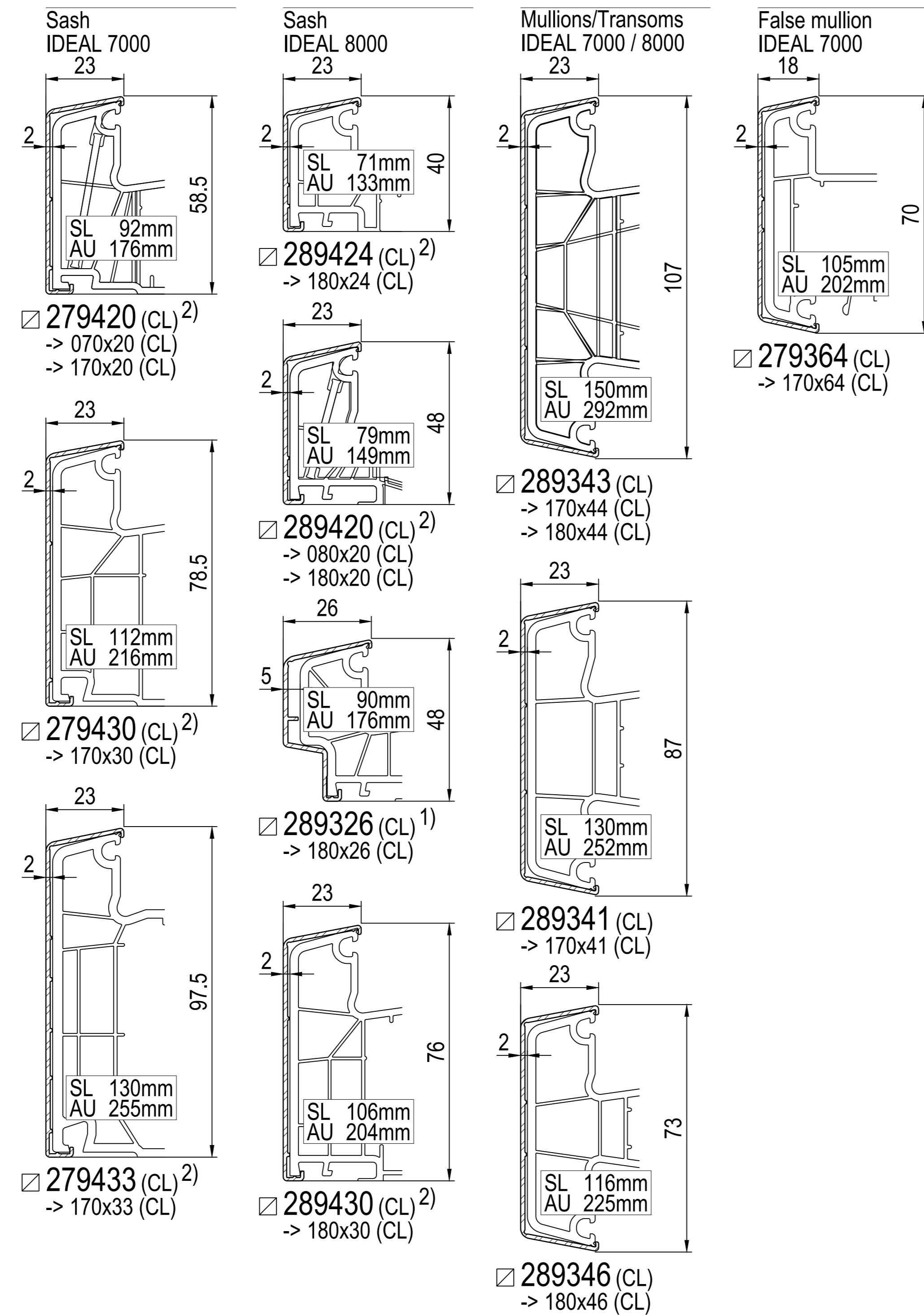
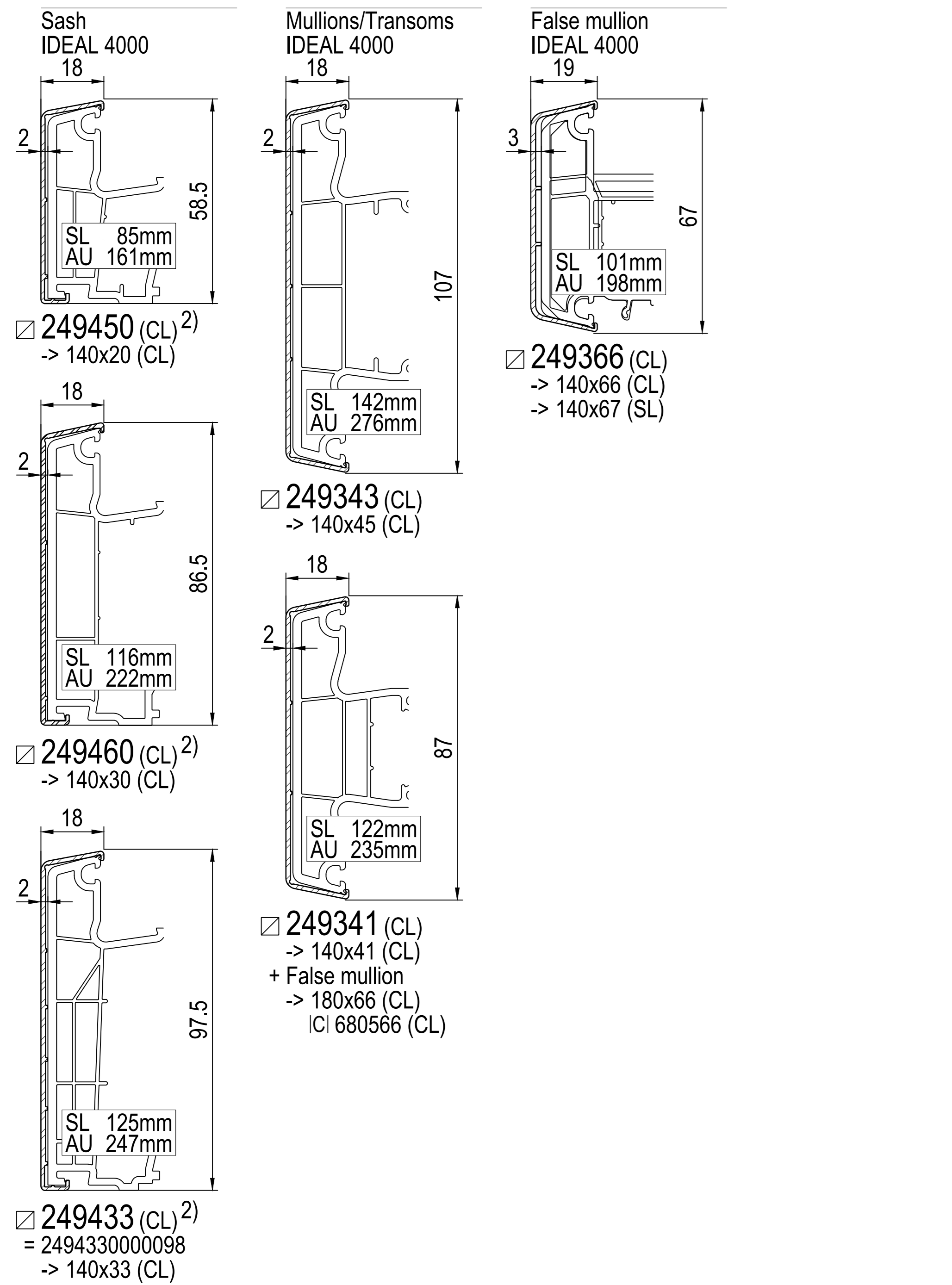
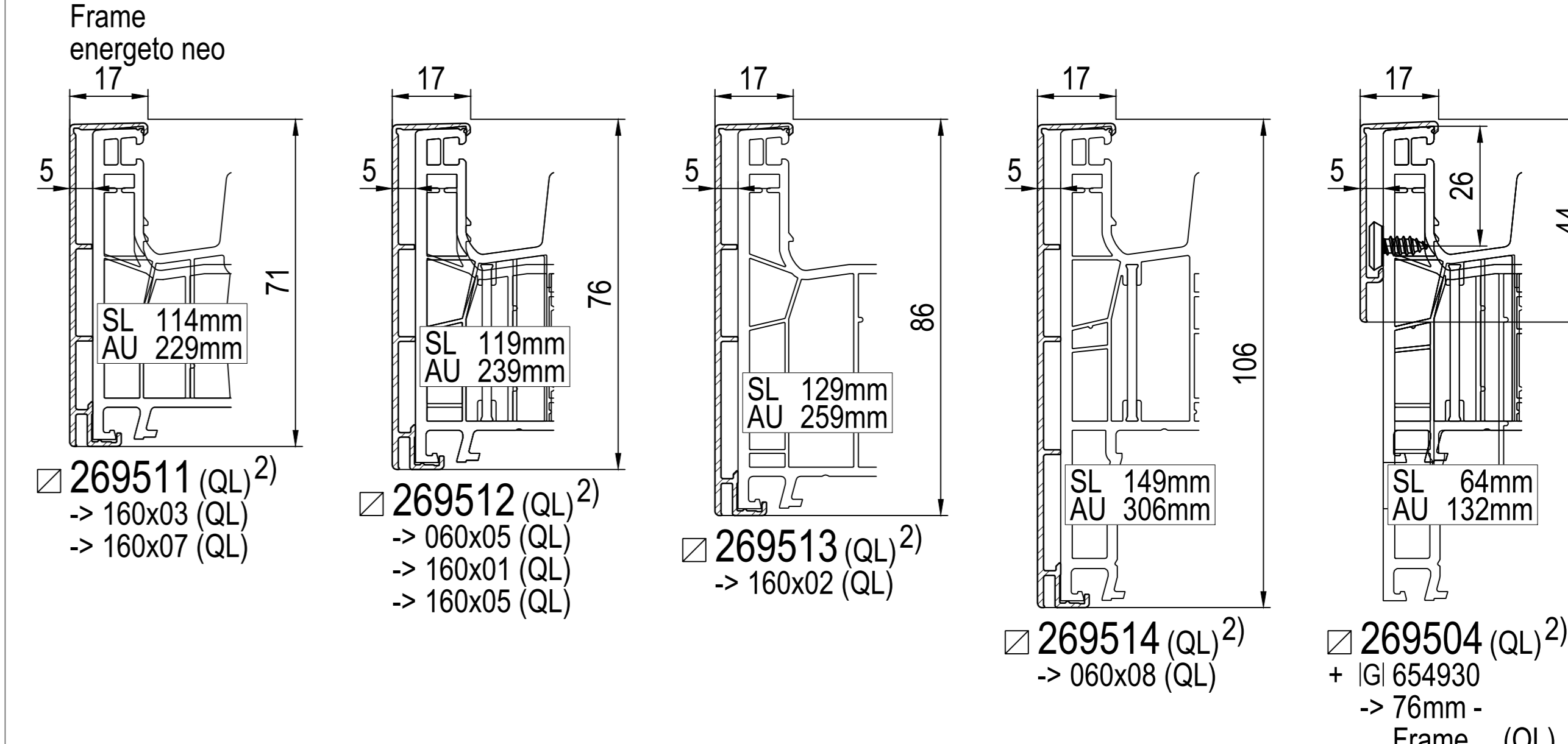
IPI aluskin Aluminium shells



IPI aluskin Aluminium shells



IPI aluskin Aluminium shells

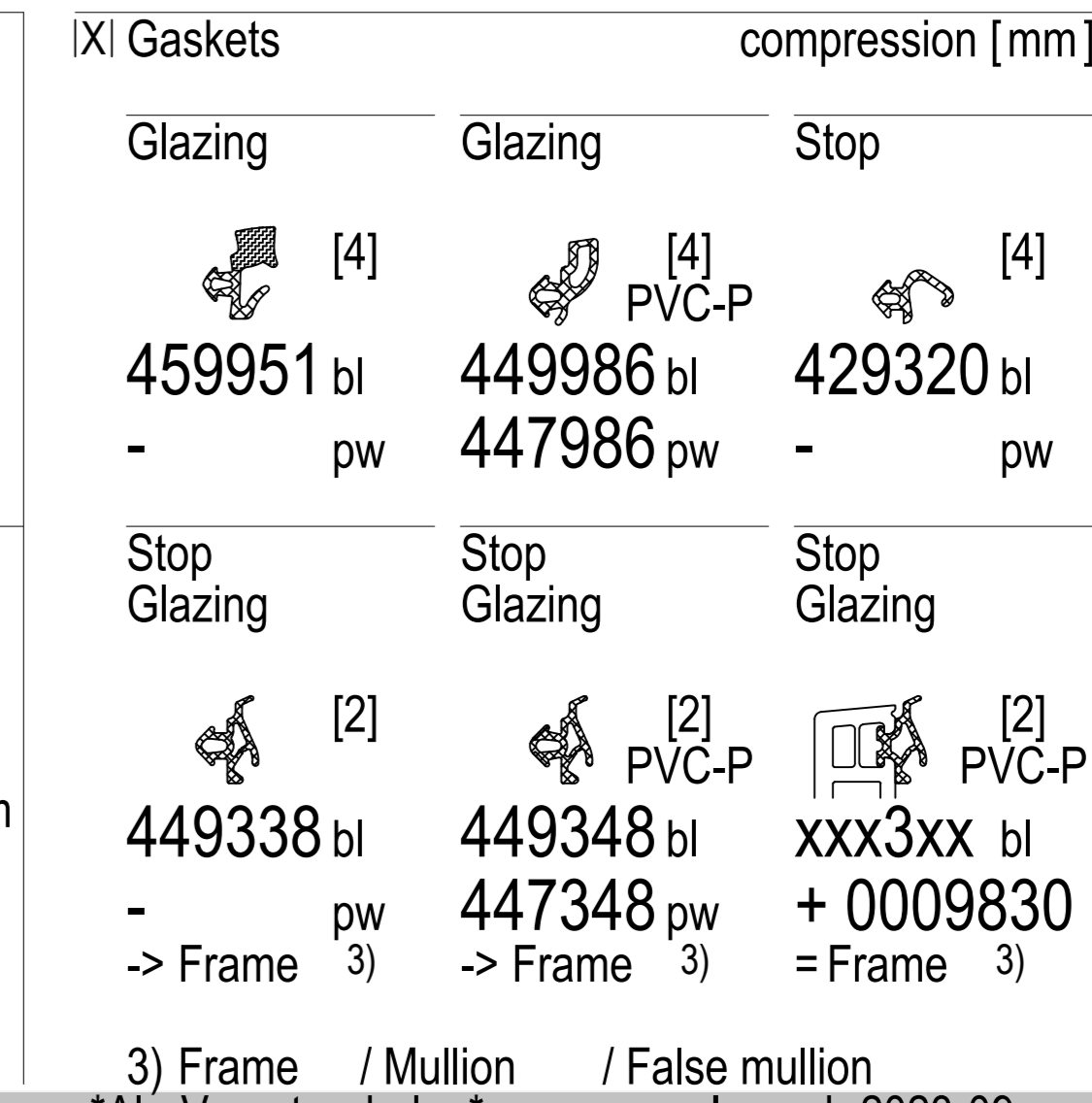
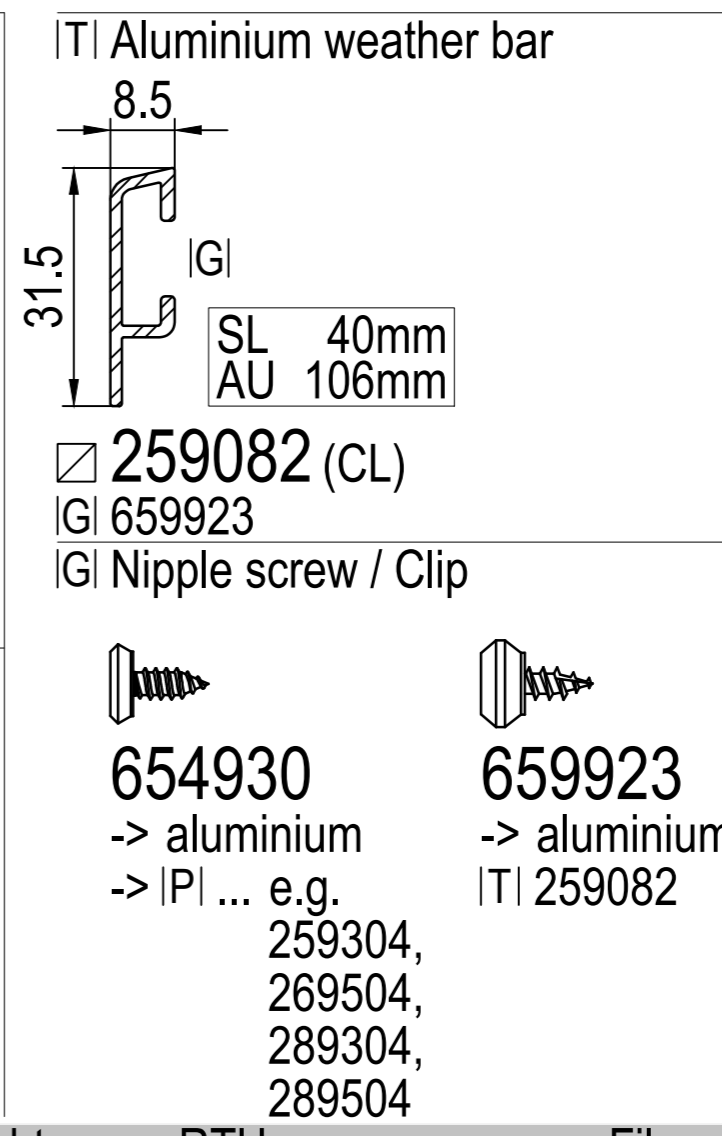
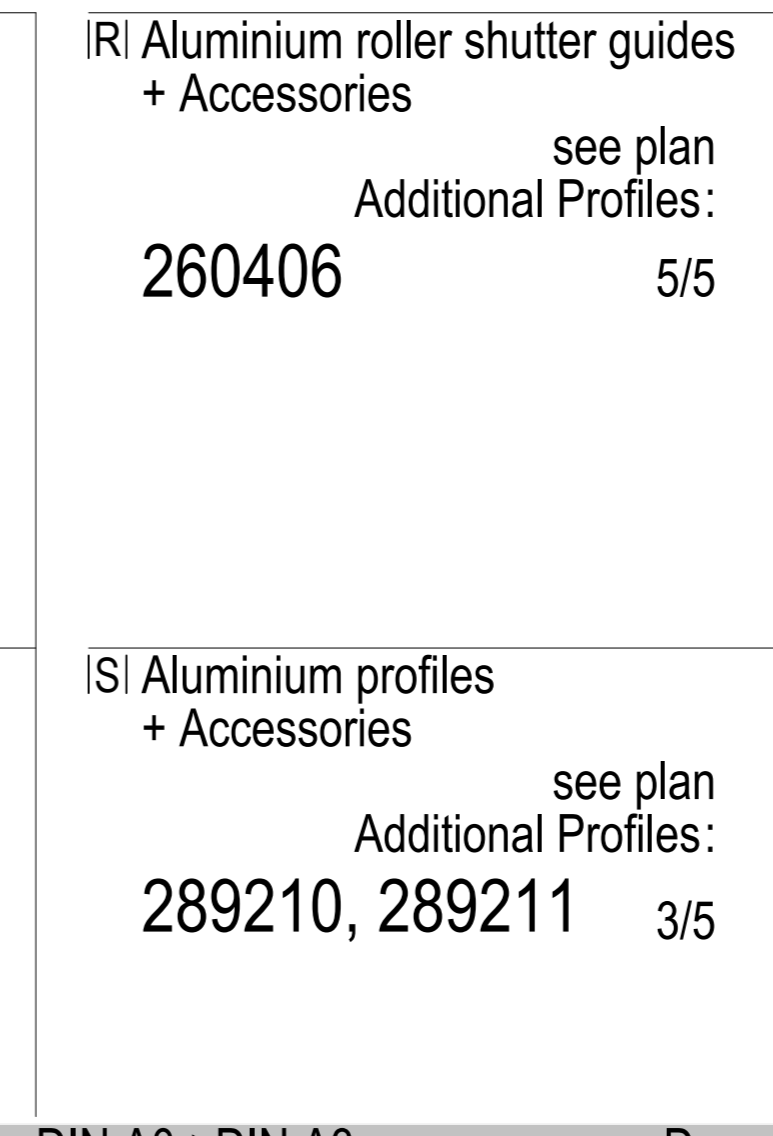
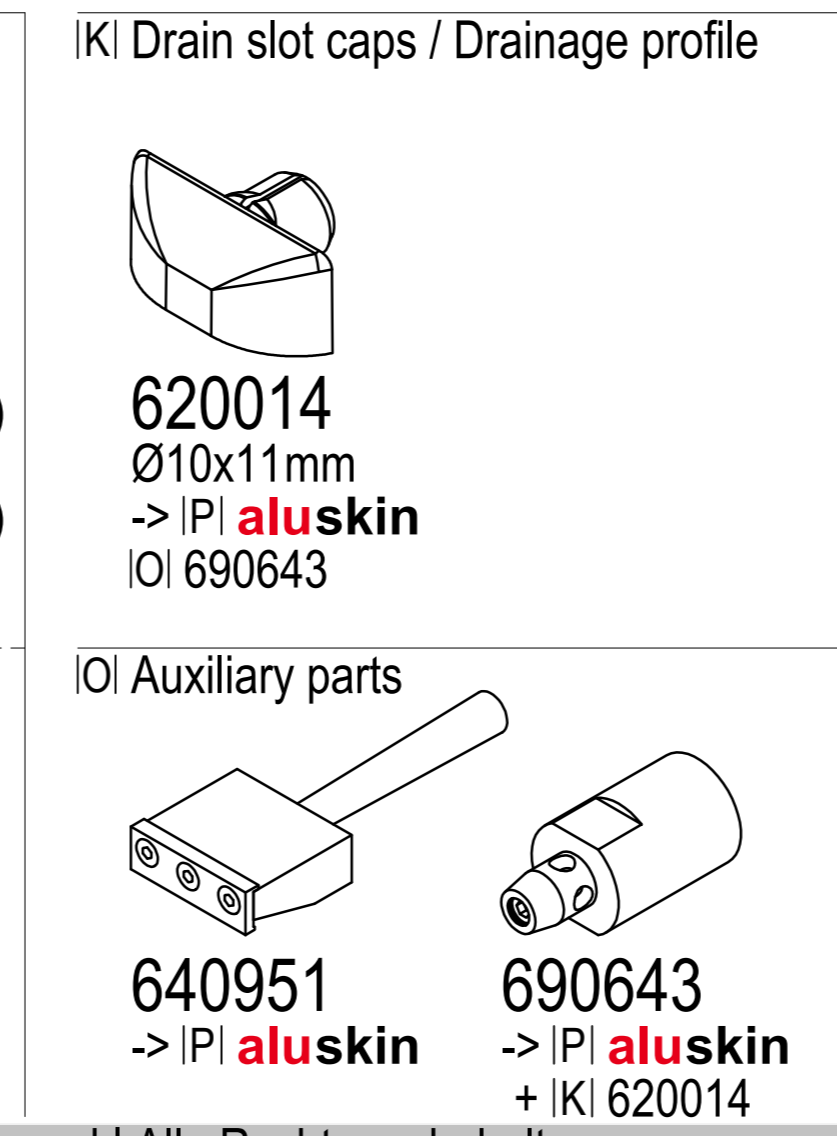
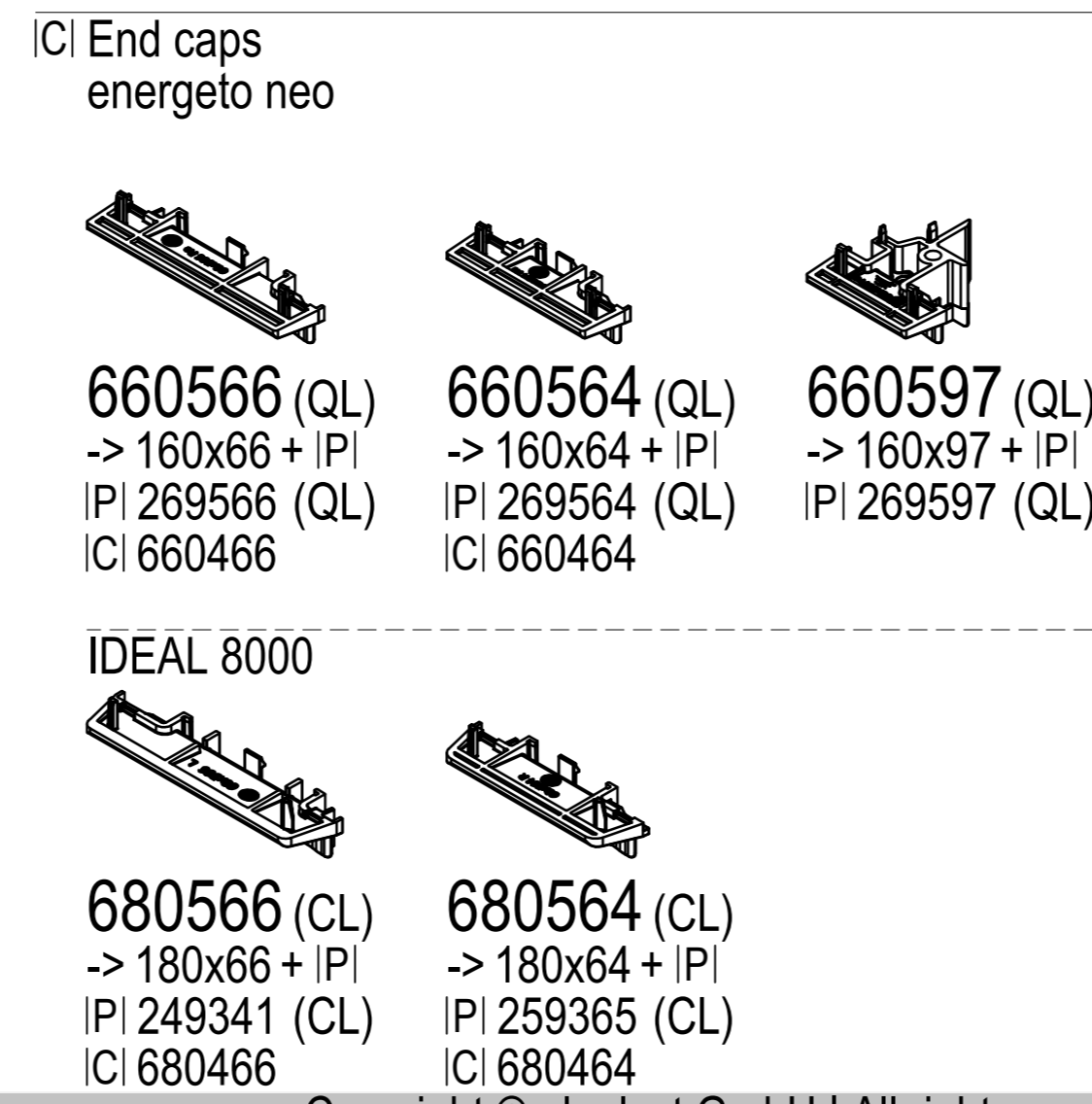
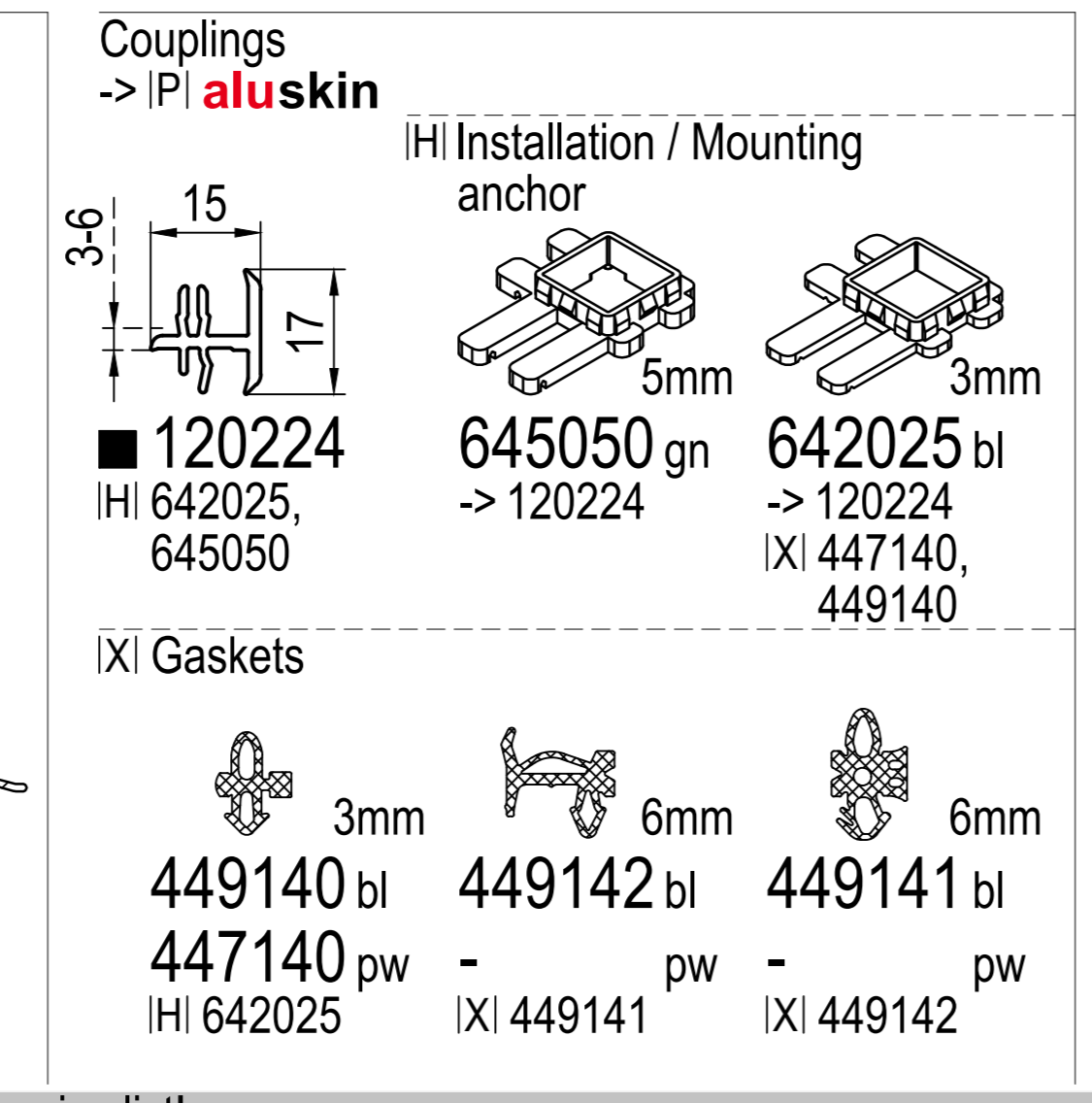
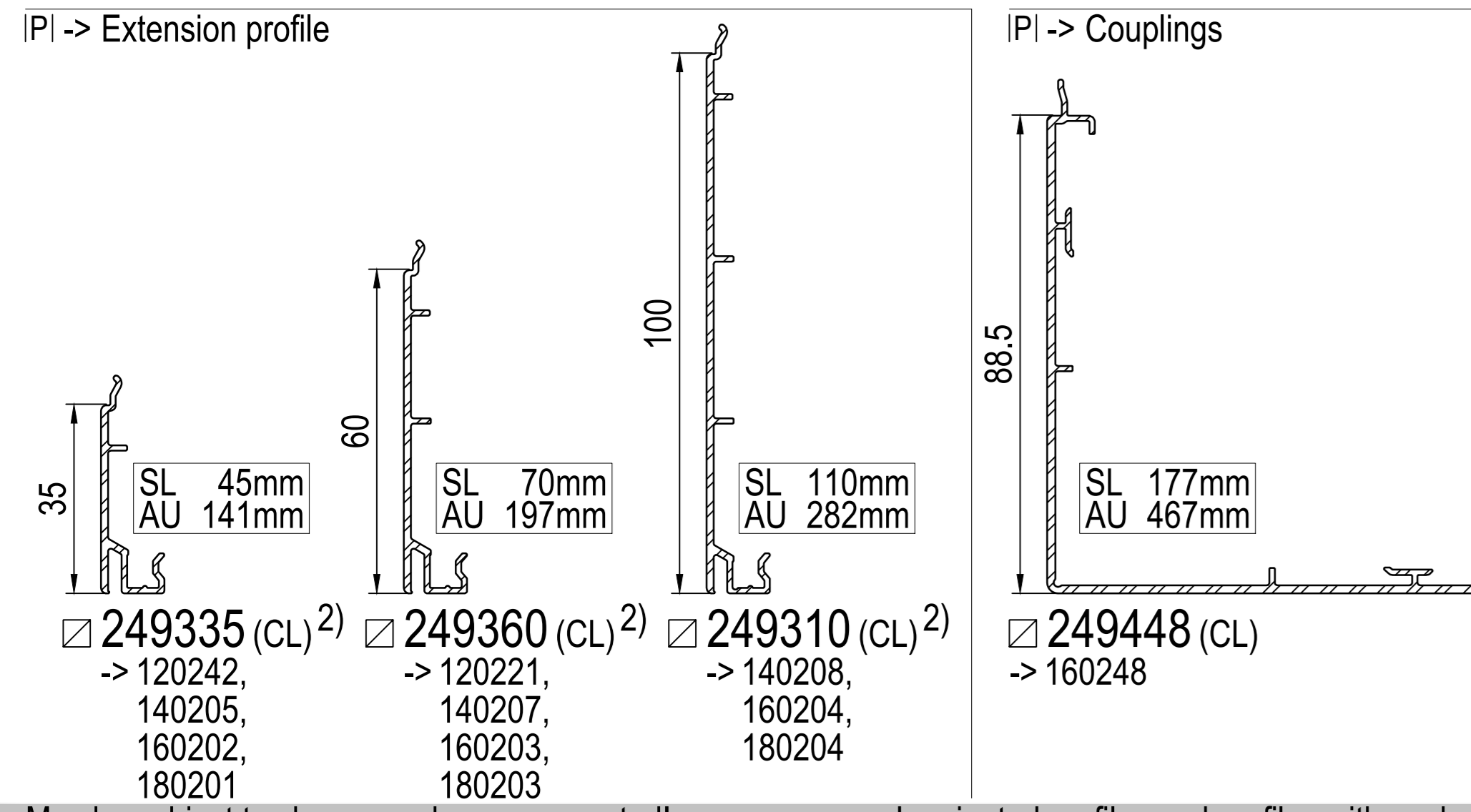


IDEAL 4000 (CL) Classic-line

IDEAL 7000 / 8000 (CL) Classic-line

energeto neo (QL) Qube-line

Accessories



□ not laminated
■ laminated
-> for
(CL) Classic-line
(QL) Qube-line
(SL) Soft-line
bl black
pw papyrus-white
gn green
1) or 2)
SL visible length
AU exterior perimeter

FI Reinforcements

Depending on the installation situation, some reinforcements may have to be turned 90°.

In this case, the lx- and ly-values have to be exchanged:

+90° = lx ly or ly lx

1) (aluminium) x 1/3 steel #aluminium = (lx) (ly) [cm²]

2) punched out

3) pierced hole P-Plastic

DI Connector

EI Corner connector

O) Auxiliary parts

see plan:

Accessories

energeto IDEAL

IH Installation / Mounting anchor

see plan:

Additional Profiles

Structural profiles

energeto neo

IDEAL 7000/8000, IDEAL 7000/8000 NL

IDEAL 4000, Nord-line

IDEAL 2000,

Lift-and-slide door

Sliding Window

lift-slide, smart-slide neo, smart-slide,

multi-slide, vario-slide, easy-slide

Additional Profiles

-> Glazing rebate

Sash

3) pierced hole

FI 249027 2.5mm 1.2 0.02 2.4m

3) pierced hole

FI 279027 2.5mm 2.4 0.02 2.4m

3) pierced hole

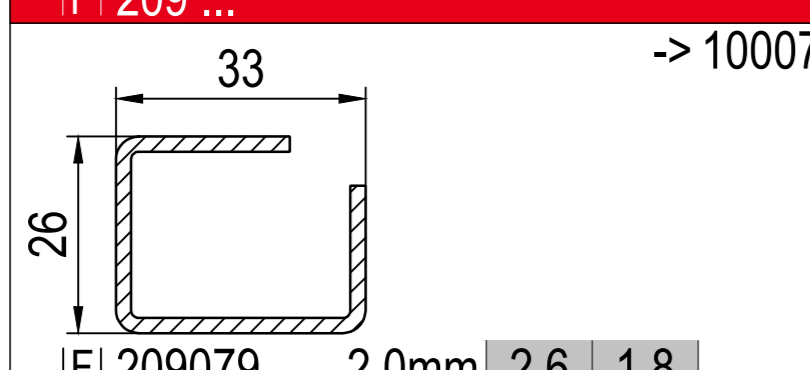
FI 259023 2.0mm 1.9 0.02 2.4m

3) pierced hole

FI 289027 2.5mm 3.5 0.04 2.4m

FI 209 ...

33 -> 100079



FI 209079 2.0mm 2.6 1.8

FI 209084 1.25mm 2.0 1.2

FI 209085 2.0mm 3.0 1.9

FI 209086 1.25mm 3.0 3.8

FI 209087 2.0mm 4.5 5.8

FI 209121 1.5mm 3.0 0.2

FI 209192 1.25mm 4.6 3.5

FI 209193 2.0mm 7.0 5.5

FI 209900 1.5mm 7.3 0.08 682330

FI 209900 2x1.5mm 14.6 0.16 682331

FI 209901 1.5mm 4.9 0.1

FI 209901 2x1.5mm 9.8 0.2

FI 229001 1.5mm 2.1 1.3

FI 229003 1.5mm 1.6 0.8

FI 229004 2.0mm 2.1 1.1

FI 229005 2.0mm 3.5 4.1

FI 229010 3.0mm 9.9 0.1

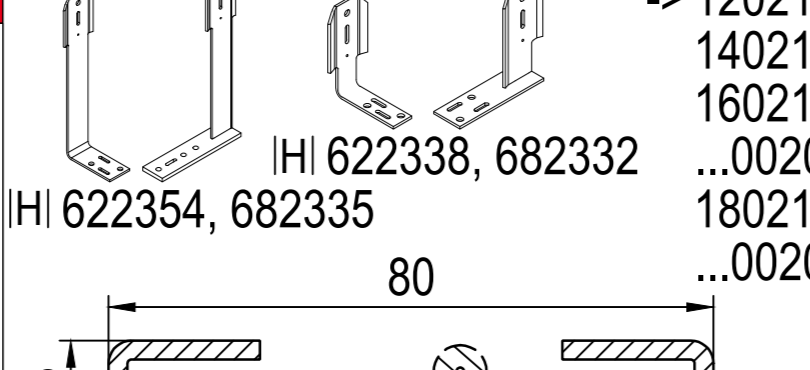
FI 229010 2x3.0mm 19.7 0.2

FI 229015 1.5mm 0.9 0.2

FI 229017 1.5mm 3.7 2.8

FI 209 ...

31.5 -> 100x85



FI 229018 2.5mm 24.8 0.8

FI 229018 + 229010 34.7 0.9

FI 229057 2.0mm 4.5 6.1

FI 229063 2.0mm 4.3 0.2

FI 229098 2.5mm 4.1 1.5

FI 229100 1.25mm 2.0 0.8

FI 229101 1.5mm 2.8 1.0

FI 229102 1.5mm 5.1 1.2

FI 229103 2.5mm 7.3 1.8

FI 229107 2.0mm 1.0 0.4 +90°

FI 229112 1.0mm 1.5 1.5

FI 229113 2.0mm 2.7 2.7

FI 229114 1.5mm 4.0 5.0 +90°

FI 229115 EI2.0mm 5.0 6.4 +90°

FI 229202 2.0mm 3.8 1.5

FI 229207 1.5mm 1.7 0.6

FI 229208 2.0mm 2.1 0.8

FI 229204 1.5mm 3.0 1.1

FI 229206 2.0mm 3.8 1.5

FI 229207 1.5mm 1.7 0.6

FI 229208 2.0mm 2.1 0.8

FI 229209 1.25mm 2.5 1.7

FI 229209 2.0mm 3.7 2.5

FI 229204 1.5mm 1.7 0.3

FI 229207 1.5mm 2.5 0.7

FI 229204 1.5mm 1.7 0.3

FI 229204 1.5mm 1.7 0.3

FI 229204 1.5mm 1.7 0.3

FI 229204 1.5mm 1.7 0.3

FI 229204 1.5mm 1.7 0.3

FI 229204 1.5mm 1.7 0.3

FI 229204 1.5mm 1.7 0.3

FI 229204 1.5mm 1.7 0.3

FI 229204 1.5mm 1.7 0.3

FI 229204 1.5mm 1.7 0.3

FI 229204 1.5mm 1.7 0.3

FI 229204 1.5mm 1.7 0.3

FI 229204 1.5mm 1.7 0.3

FI 229204 1.5mm 1.7 0.3

FI 229204 1.5mm 1.7 0.3

FI 229204 1.5mm 1.7 0.3

FI 229204 1.5mm 1.7 0.3

FI 229204 1.5mm 1.7 0.3

FI 229204 1.5mm 1.7 0.3

FI 229204 1.5mm 1.7 0.3

FI 229204 1.5mm 1.7 0.3

FI 229204 1.5mm 1.7 0.3

FI 229204 1.5mm 1.7 0.3

FI 229204 1.5mm 1.7 0.3

FI 229204 1.5mm 1.7 0.3

FI 229204 1.5mm 1.7 0.3

FI 229204 1.5mm 1.7 0.3

FI 229204 1.5mm 1.7 0.3

FI 229204 1.5mm 1.7 0.3

FI 229204 1.5mm 1.7 0.3

FI 229204 1.5mm 1.7 0.3

FI 229204 1.5mm 1.7 0.3

FI 229204 1.5mm 1.7 0.3

FI 229204 1.5mm 1.7 0.3

FI 229204 1.5mm 1.7 0.3

FI 229204 1.5mm 1.7 0.3

FI 229204 1.5mm 1.7 0.3

FI 229204 1.5mm 1.7 0.3

FI 229204 1.5mm 1.7 0.3

FI 229204 1.5mm 1.7 0.3

FI 229204 1.5mm 1.7 0.3

FI 229204 1.5mm 1.7 0.3

FI 229204 1.5mm 1.7 0.3

FI 229204 1.5mm 1.7 0.3

FI 229204 1.5mm 1.7 0.3

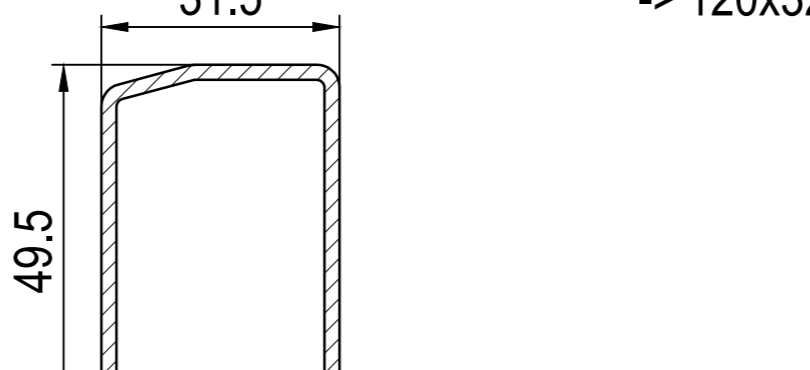
FI 229204 1.5mm 1.7 0.3

FI 229204 1.5mm 1.7 0.3

FI 229204 1.5mm 1.7 0.3

FI 209 ...

40 -> 120x32



FI 229057 2.0mm 6.4 4.6

FI 229126 3.0mm 11.8 16.8 +90°

FI 229131 3.0mm 11.8 16.8 +90°

FI 229063 2.0mm 4.3 0.2

FI 229098 2.5mm 4.1 1.5

FI 229100 1.25mm 2.0 0.8

FI 229101 1.5mm 2.8 1.0

FI 229102 1.5mm 5.1 1.2

FI 229103 2.5mm 7.3 1.8

FI 229107 2.0mm 1.0 0.4 +90°

FI 229112 1.0mm 1.5 1.5

FI 229113 2.0mm 2.7 2.7

FI 229114 1.5mm 4.0 5.0 +90°

FI 229115 EI2.0mm 5.0 6.4 +90°

FI 229202 2.0mm 3.8 1.5

FI 229207 1.5mm 1.7 0.6

FI 229208 2.0mm 2.1 0.8

FI 229204 1.5mm 3.0 1.1

FI 229206 2.0mm 3.8 1.5

FI 229207 1.5mm 1.7 0.6

FI 229208 2.0mm 2.1 0.8

FI 229209 1.25mm 2.5 1.7

FI 229209 2.0mm 3.7 2.5

FI 229204 1.5mm 1.7 0.3

FI 229207 1.5mm 2.5 0.7

FI 229204 1.5mm 1.7 0.3

FI 229204 1.5mm 1.7 0.3

FI 229204 1.5mm 1.7 0.3

FI 229204 1.5mm 1.7 0.3

FI 229204 1.5mm 1.7 0.3

FI 229204 1.5mm 1.7 0.3

FI 229204 1.5mm 1.7 0.3

FI 229204 1.5mm 1.7 0.3

FI 229204 1.5mm 1.7 0.3

FI 229204 1.5mm 1.7 0.3

FI 229204 1.5mm 1.7 0.3

FI 229204 1.5mm 1.7 0.3

FI 229204 1.5mm 1.7 0.3

FI 229204 1.5mm 1.7 0.3

FI 229204 1.5mm 1.7 0.3

FI 229204 1.5mm 1.7 0.3

FI 229204 1.5mm 1.7 0.3

FI 229204 1.5mm 1.7 0.3

FI 229204 1.5mm 1.7 0.3

FI 229204 1.5mm 1.7 0.3

FI 229204 1.5mm 1.7 0.3

FI 229204 1.5mm 1.7 0.3

FI 229204 1.5mm 1.7 0.3

FI 229204 1.5mm 1.7 0.3

FI 229204 1.5mm 1.7 0.3

FI 229204 1.5mm 1.7 0.3

FI 229204 1.5mm 1.7 0.3

FI 229204 1.5mm 1.7 0.3

FI 229204 1.5mm 1.7 0.3

FI 229204 1.5mm 1.7 0.3

FI 229204 1.5mm 1.7 0.3

FI 229204 1.5mm 1.7 0.3

FI 229204 1.5mm 1.7 0.3

FI 229204 1.5mm 1.7 0.3

FI 229204 1.5mm 1.7 0.3

FI 229204 1.5mm 1.7 0.3

FI 229204 1.5mm 1.7 0.3

FI 229204 1.5mm 1.7 0.3

FI 229204 1.5mm 1.7 0.3

FI 229204 1.5mm 1.7 0.3

FI 229204 1.5mm 1.7 0.3

FI 229204 1.5mm 1.7 0.3

FI 229204 1.5mm 1.7 0.3

FI 229204 1.5mm 1.7 0.3

FI 229204 1.5mm 1.7 0.3

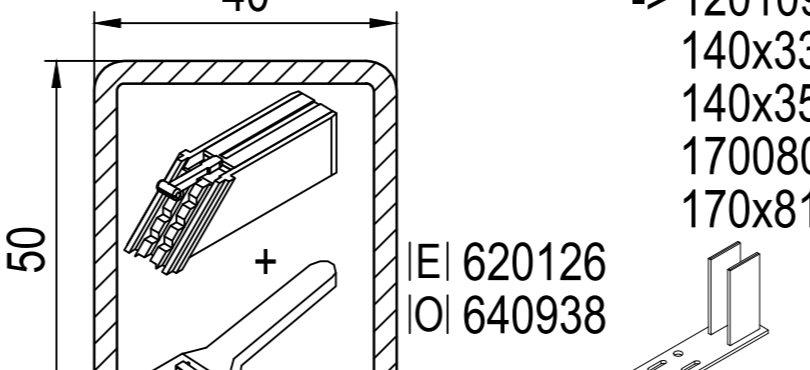
FI 229204 1.5mm 1.7 0.3

FI 229204 1.5mm 1.7 0.3

FI 229204 1.5mm 1.7 0.3

FI 209 ...

40 -> 120x32



FI 249028 2.0mm 6.4 4.6

FI 249028 2.0mm 6.4 4.6

FI 249028 2.0mm 6.4 4.6

FI 249028 2.0mm 6.4 4.6

FI 249028 2.0mm 6.4 4.6

FI 249028 2.0mm 6.4 4.6

FI 249028 2.0mm 6.4 4.6

FI 249028 2.0mm 6.4 4.6

FI 249028 2.0mm 6.4 4.6

FI 249028 2.0mm 6.4 4.6

FI 249028 2.0mm 6.4 4.6

FI 249028 2.0mm 6.4 4.6

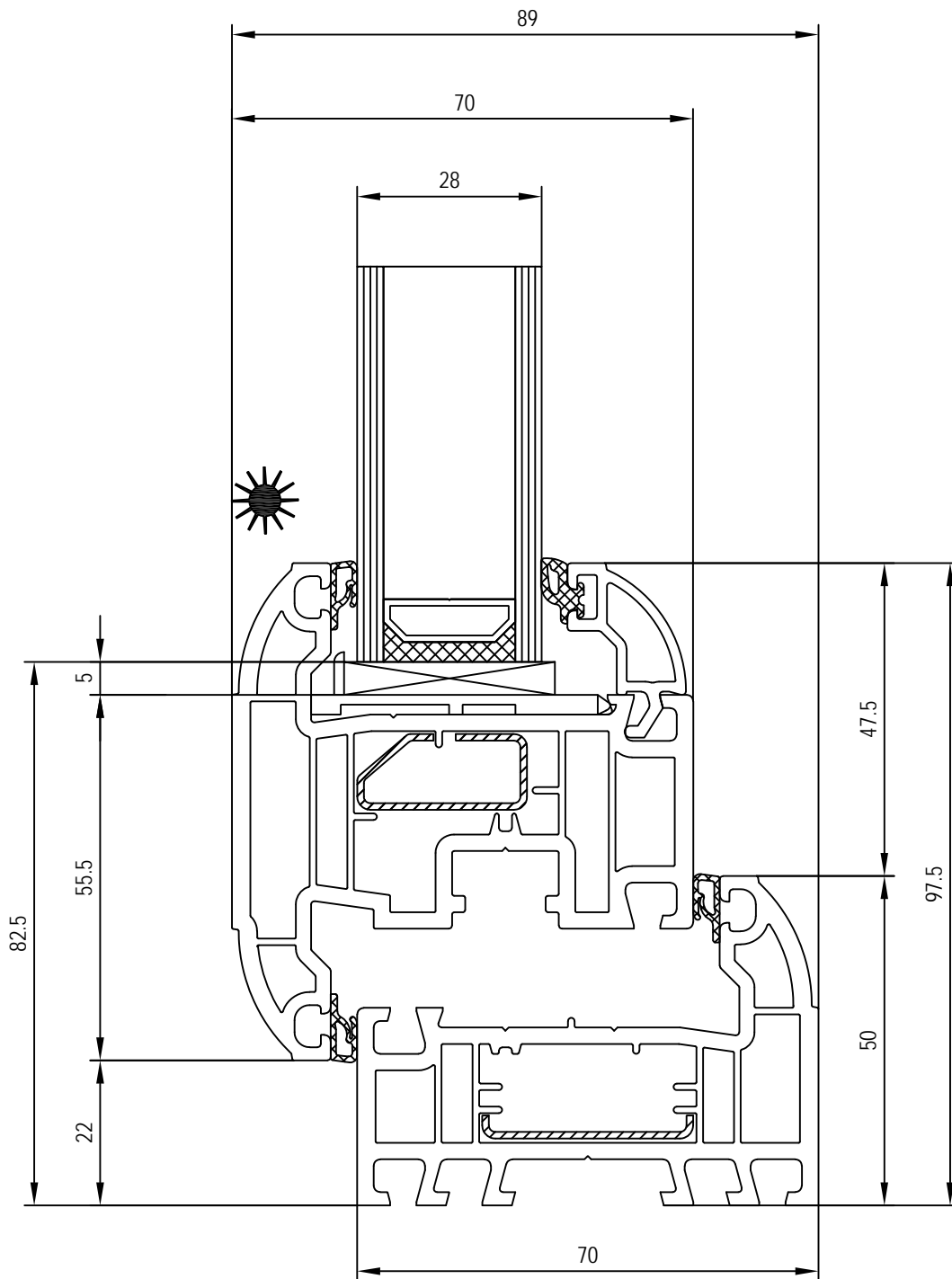
FI 249028 2.0mm 6.4 4.6

FI 249028 2.0mm 6.4 4.6

FI 249028 2.0mm 6.4 4.6

FI 249028 2.0mm 6.4 4.6

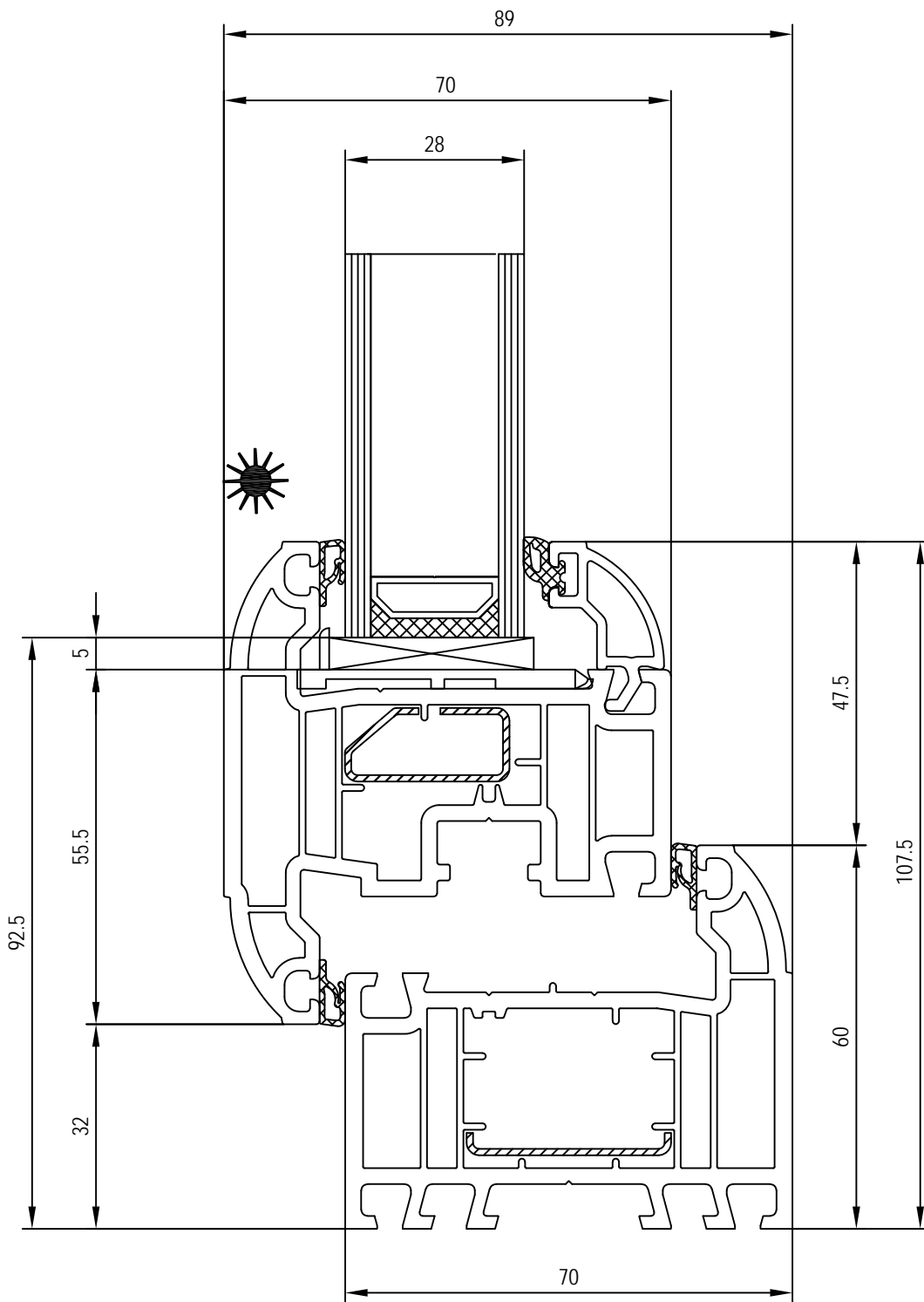
FI 249028 2.0mm 6.4 4.6



frame profile 70mm: 100x02
 sash profile 70mm: 100x05
 glazing bead: 100819



IDEAL 70
 profile section

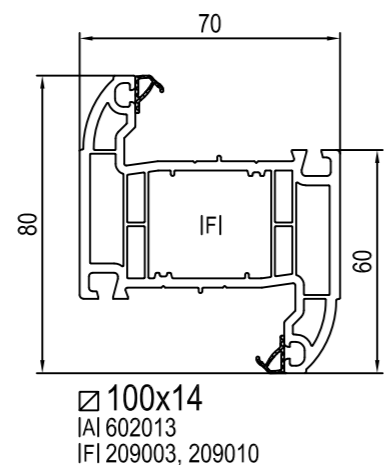
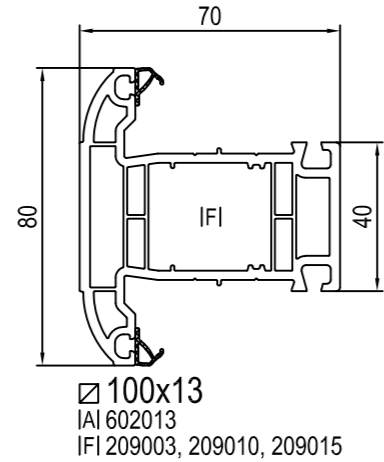
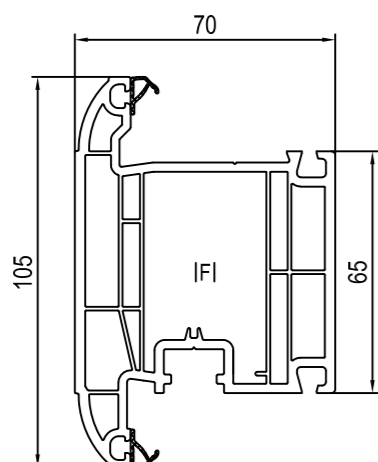
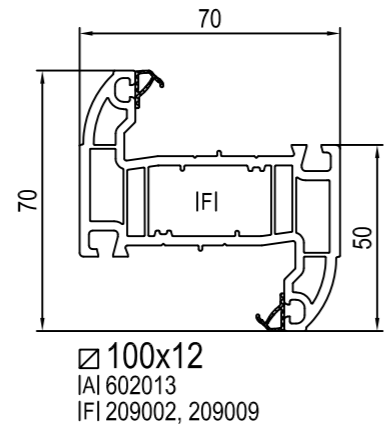
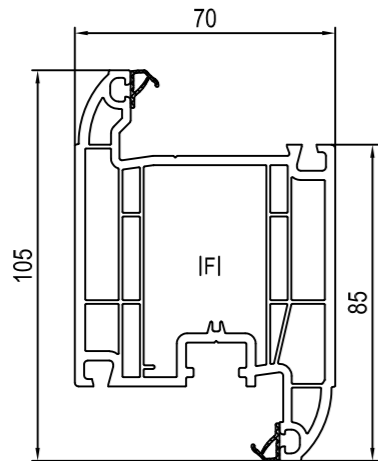
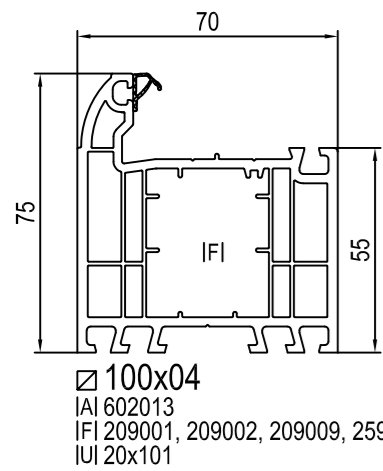
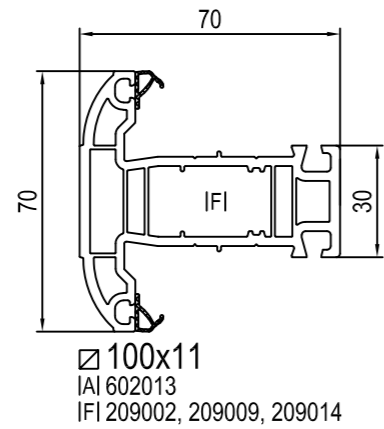
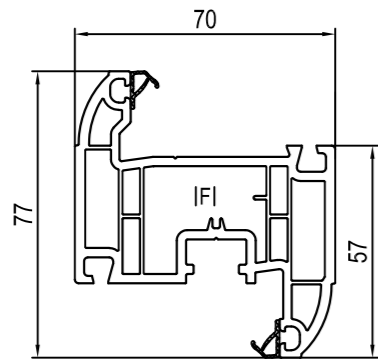
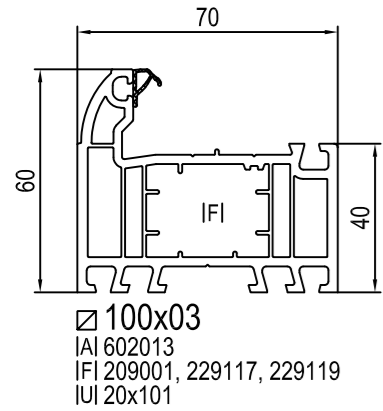
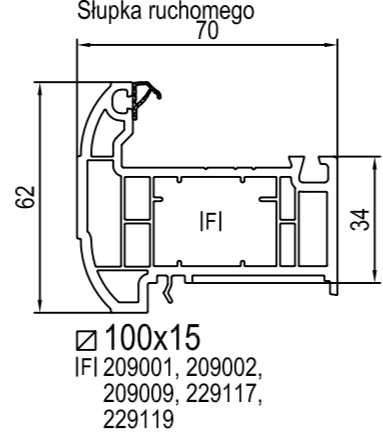
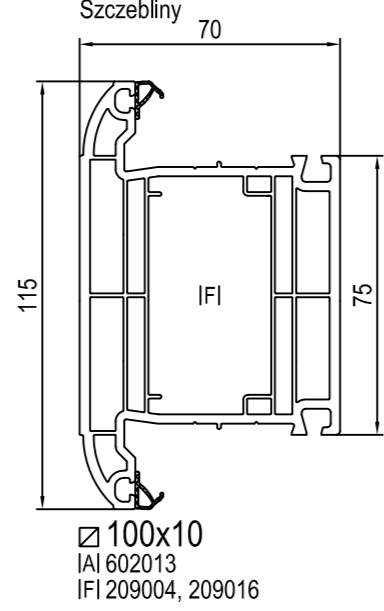
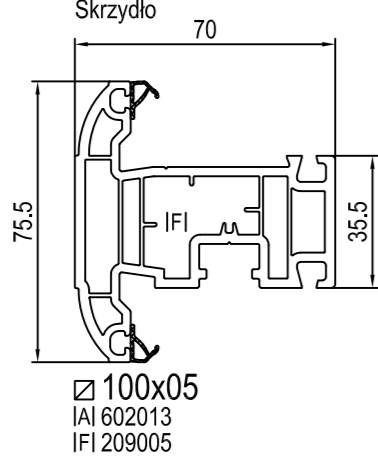
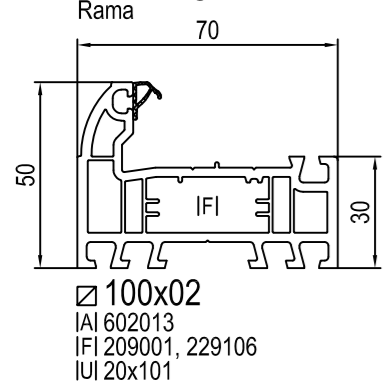


frame profile 70mm: 100x03
 sash profile 70mm: 100x05
 glazing bead: 100819

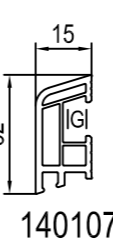
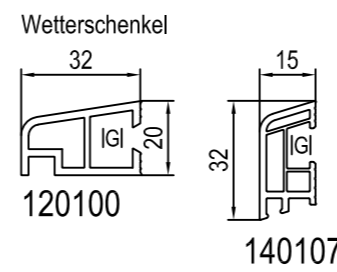
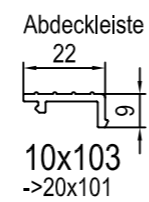
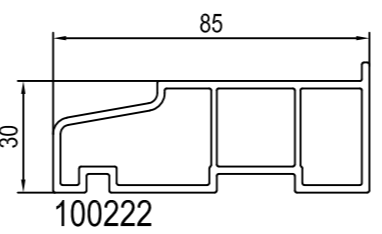
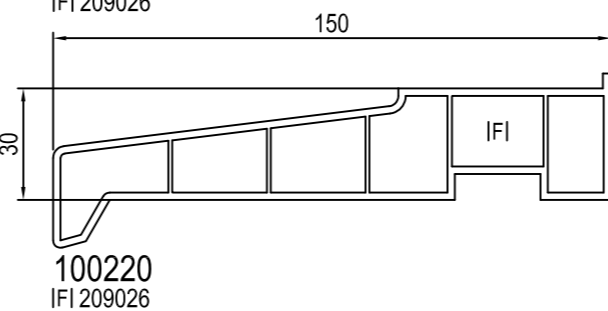
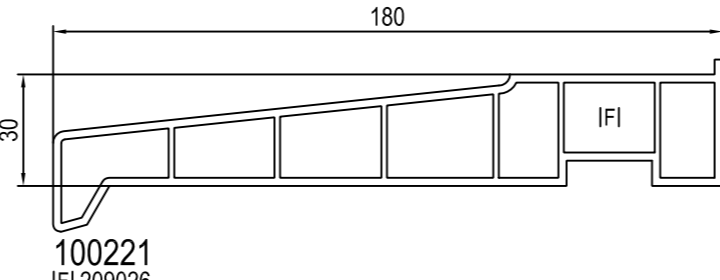
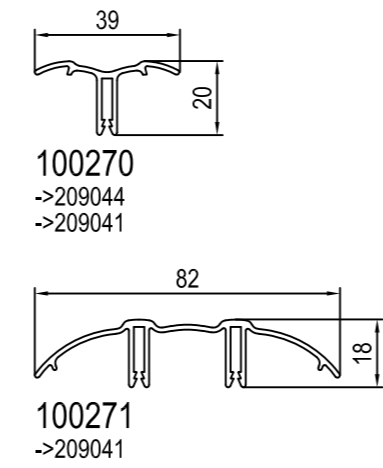
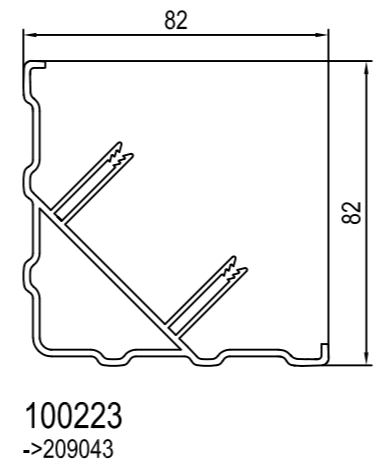


IDEAL 70
 profile section

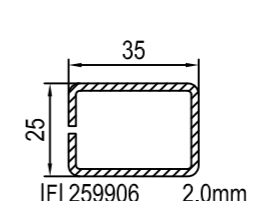
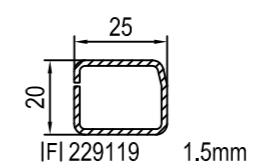
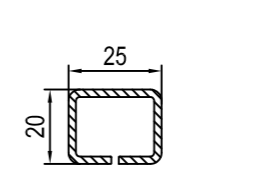
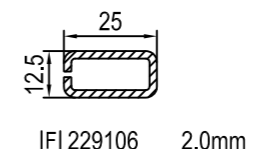
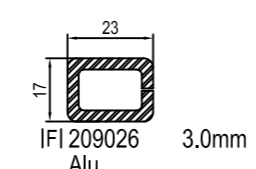
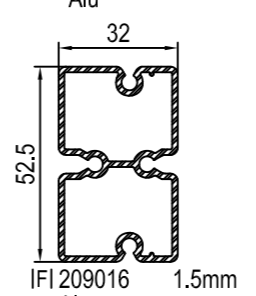
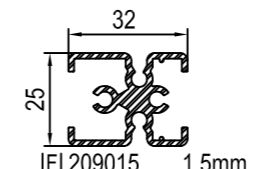
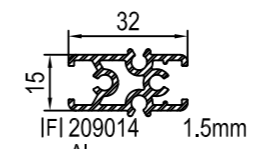
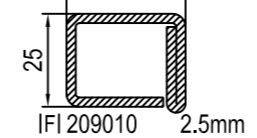
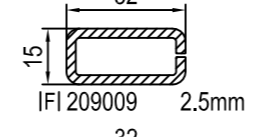
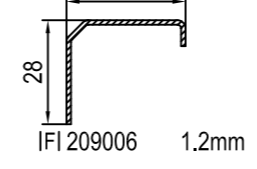
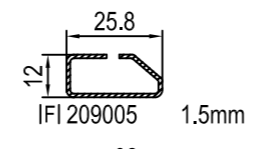
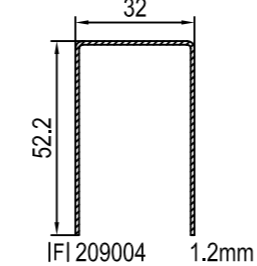
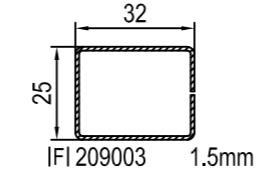
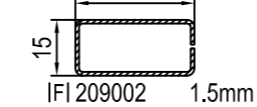
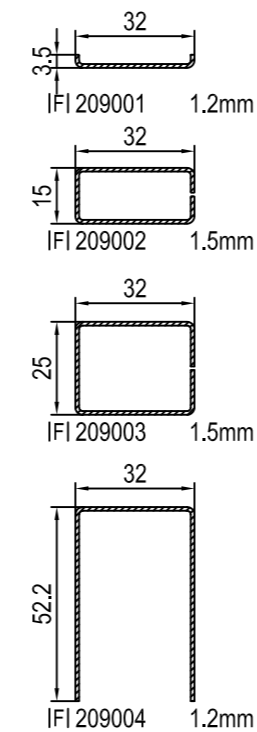
Profile główne



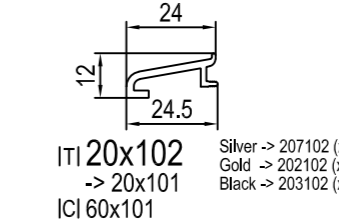
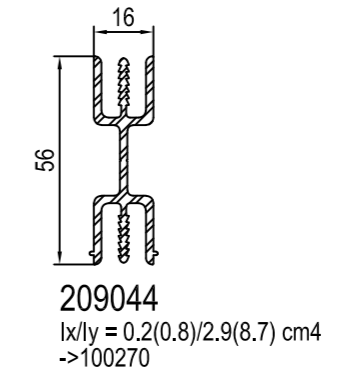
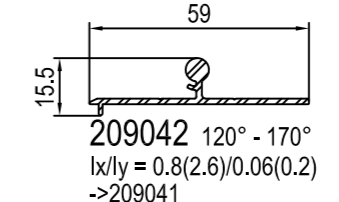
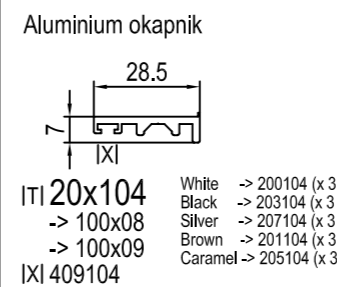
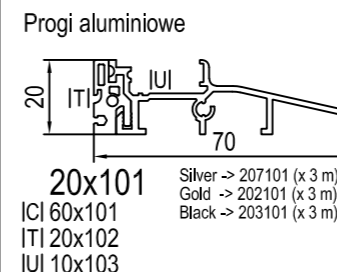
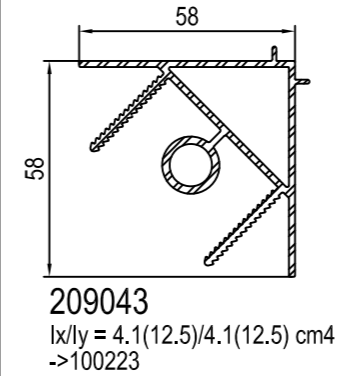
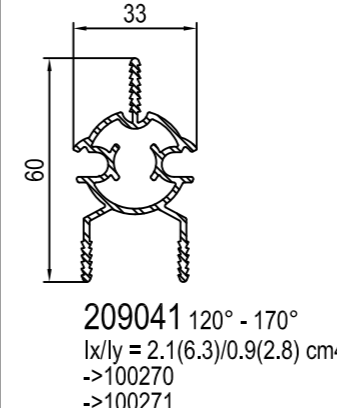
Profile dodatkowe



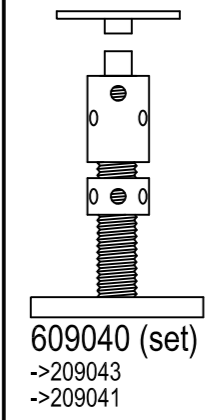
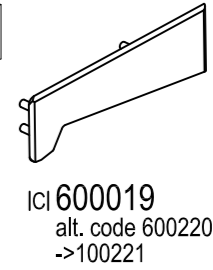
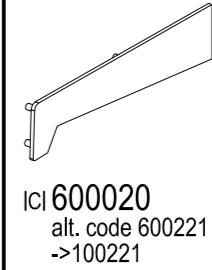
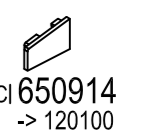
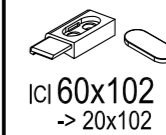
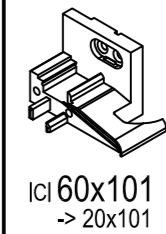
Wzmocnienie



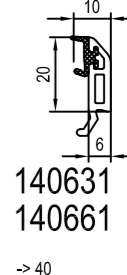
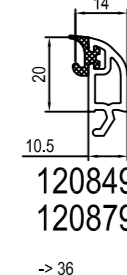
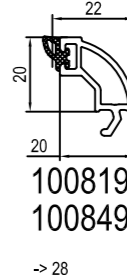
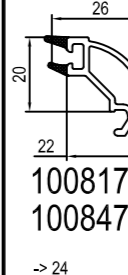
Profile alu.



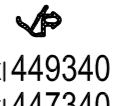
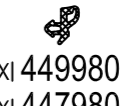
Dodatki



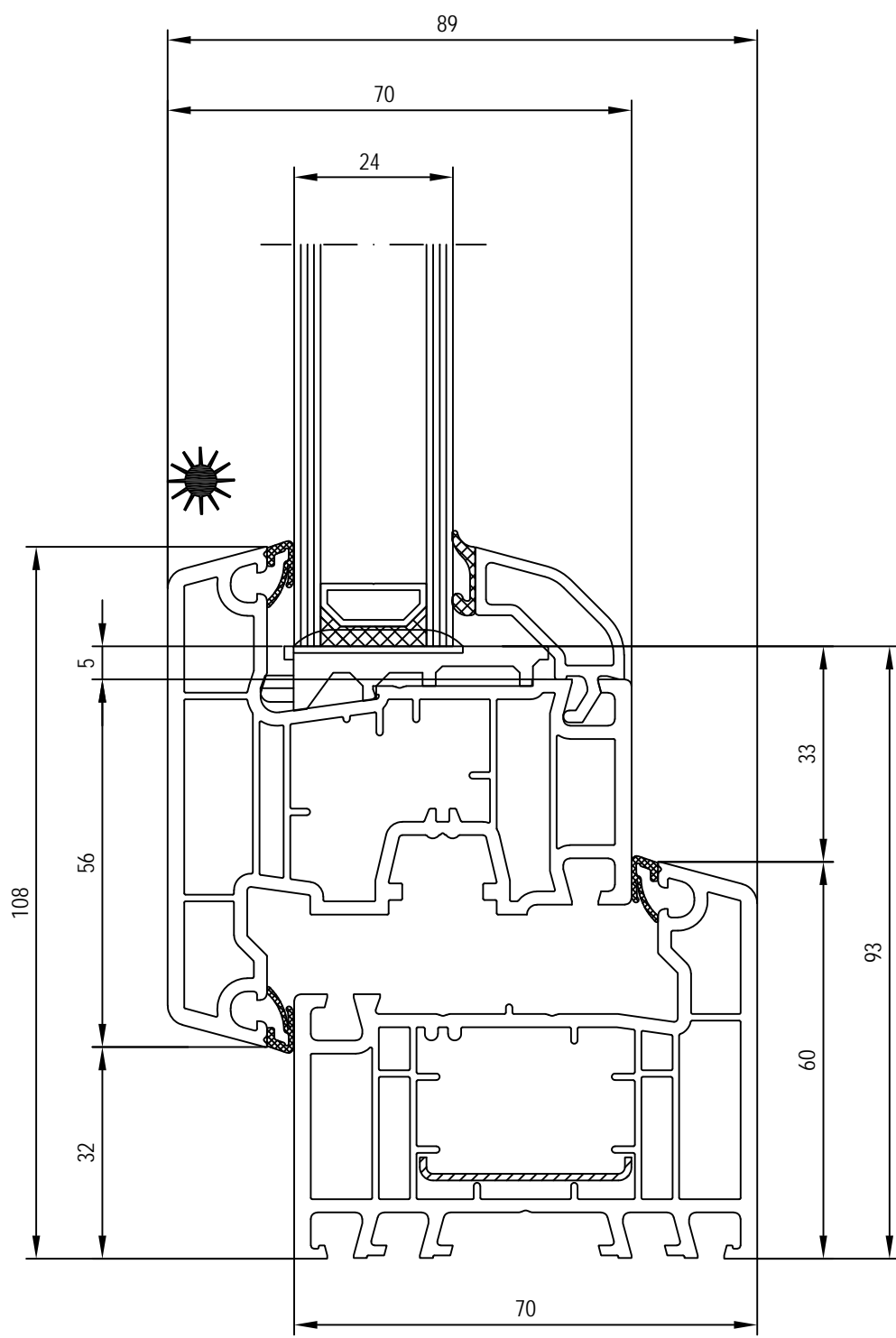
Listwa przyszybowa



Uszczelki



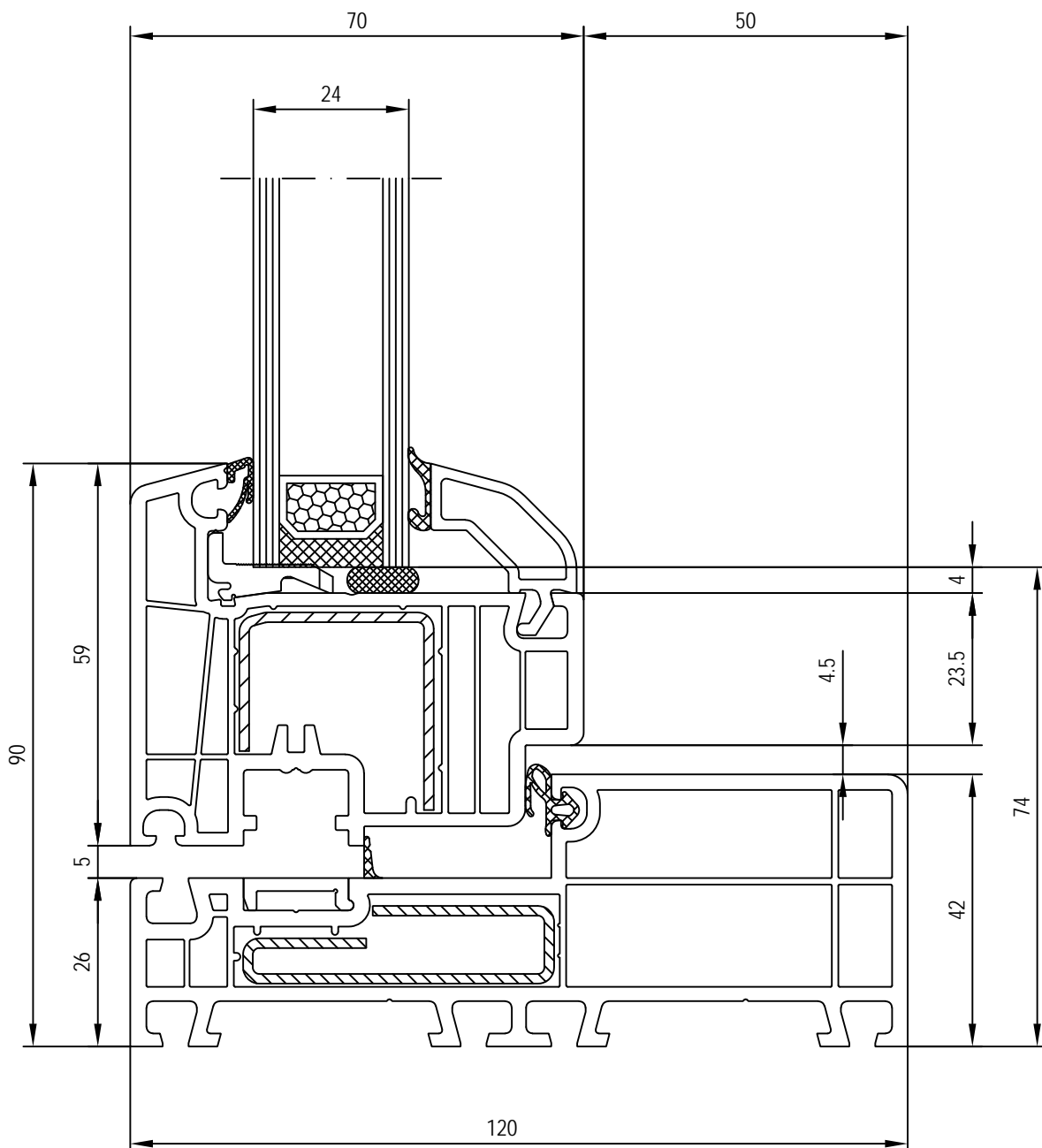
- ☑ bez okleina
- IAI Podkładka do szklenia
- ICI Zaślepki
- IFI Wzmocnienie
- IUI Progi aluminiowe
- IXI Uszczelki
- IGI Śruba zatrzaskowa / Klipsy
- ITI Aluminium okapnik



frame profile 70mm: 100x53a
 sash profile 70mm: 100x55a
 glazing bead: 120846



IDEAL 4000 casement - opening outwards
 profile section



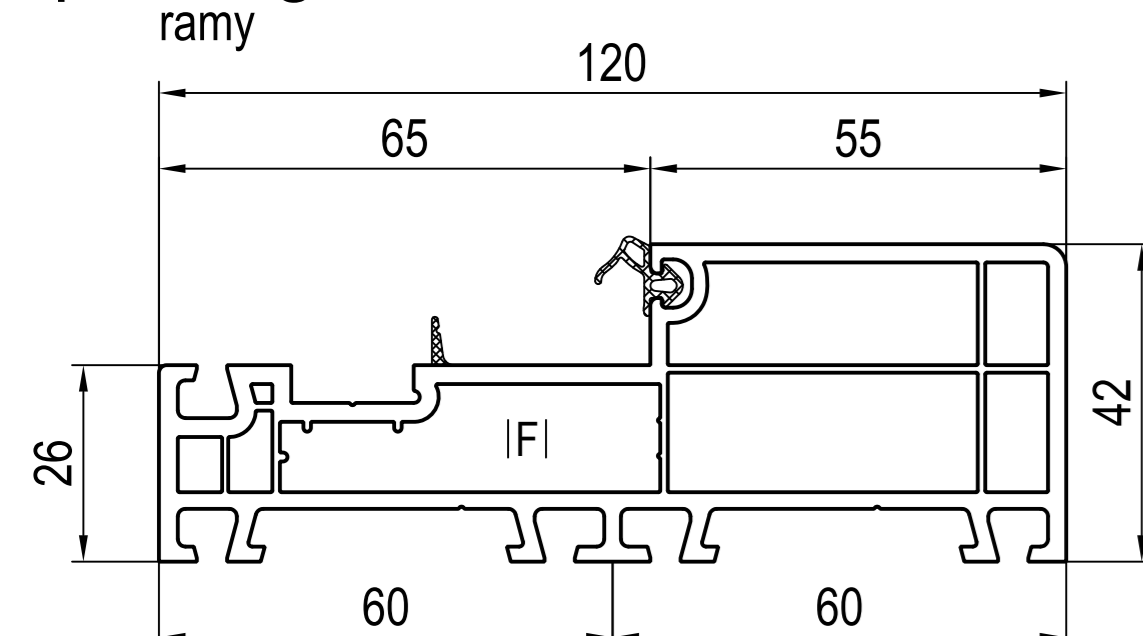
frame profile 120mm: 140x90
 sash profile 70mm: 140x94
 glazing bead: 120846



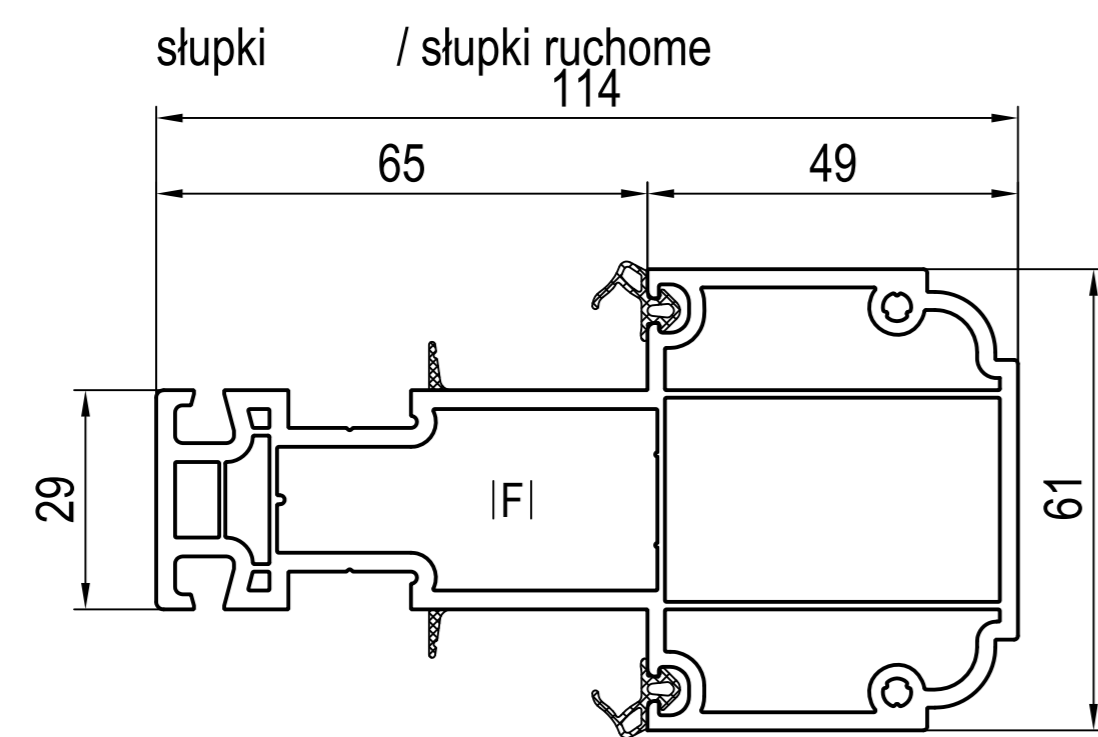
IDEAL 4000 NORD-LINE

profile section

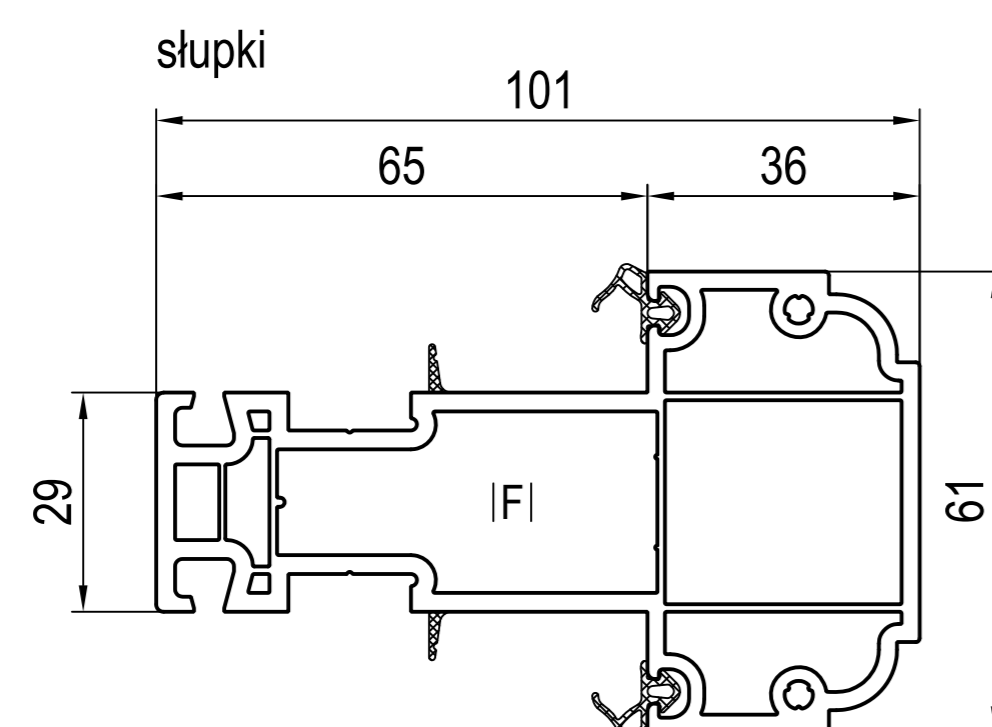
profile główne



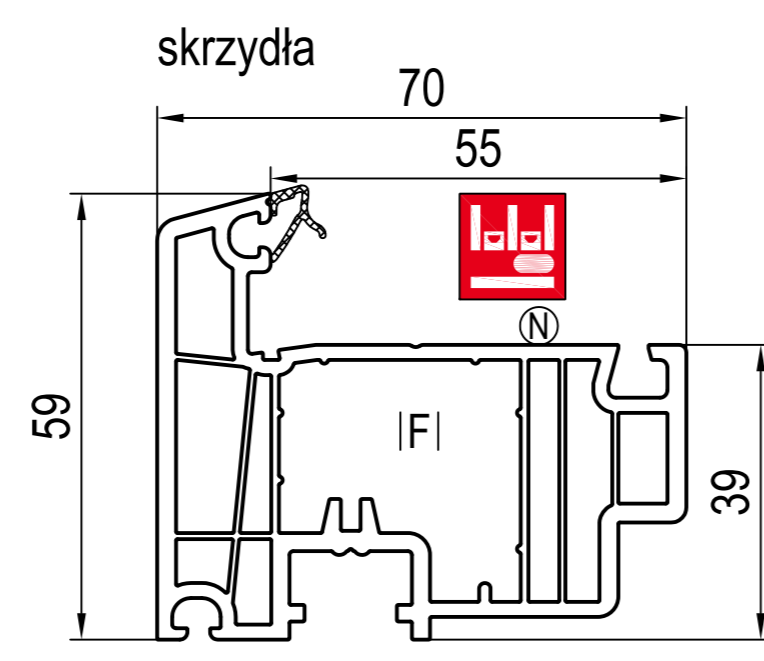
■ 140x90 NORD-LINE (CL)
IF: 249190
IZ: 646193



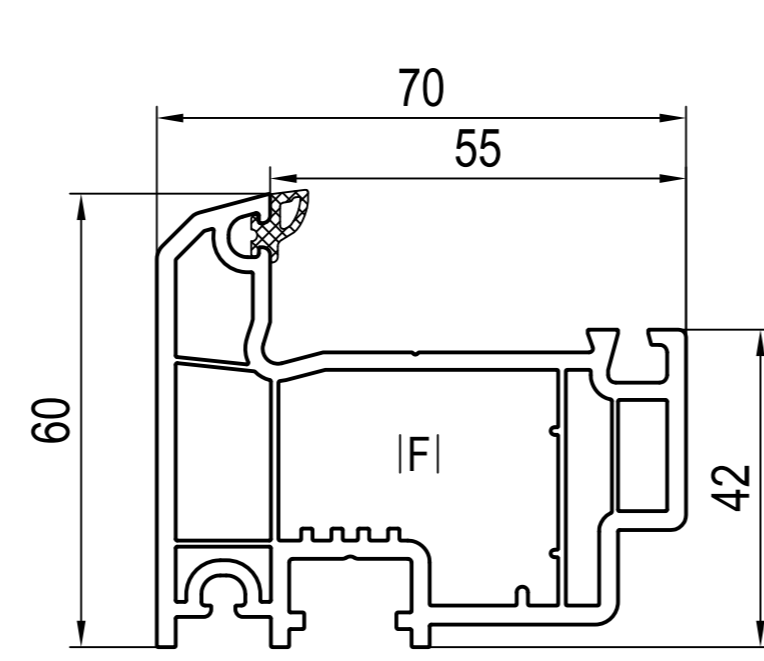
■ 140x99 NORD-LINE (HL)
CI: 640199
DI: 647191 ~140x90 ...
FI: 249198



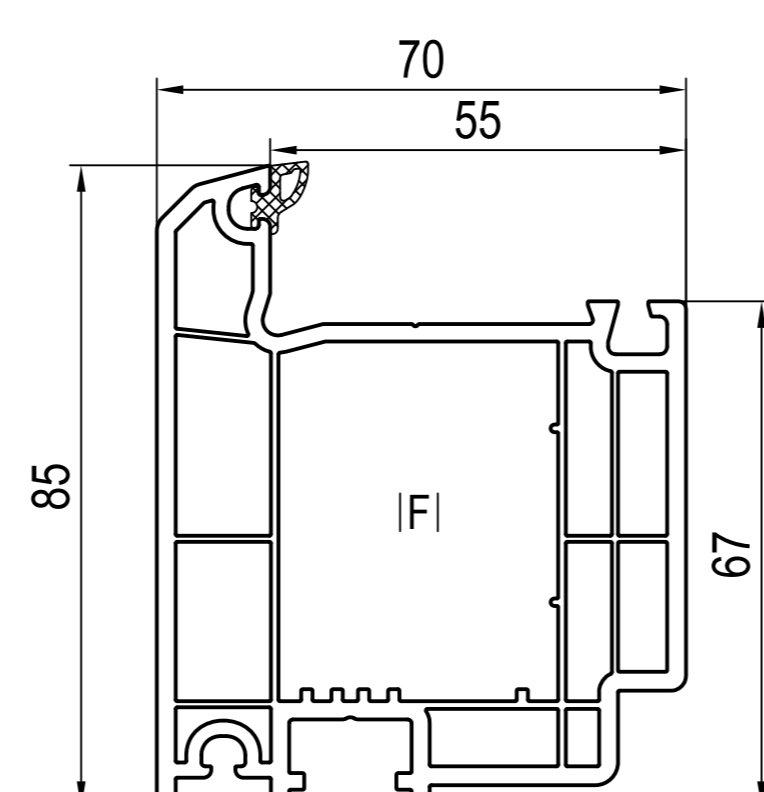
■ 140x98 NORD-LINE (HL)
DI: 647191 ~140x90 ...
FI: 249198



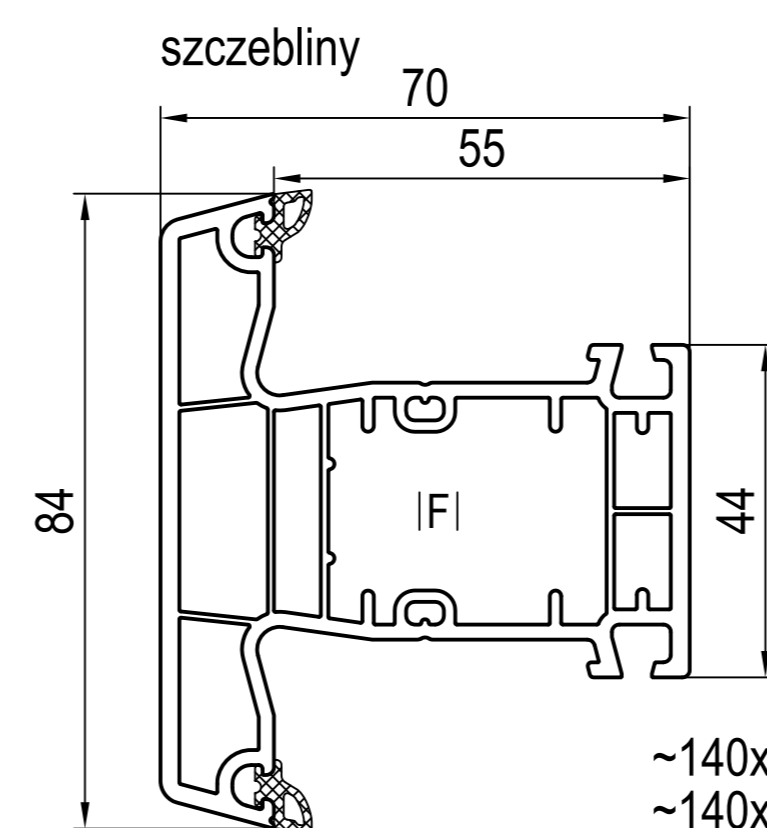
■ 140x94 NORD-LINE (CL)
FI: 249194, 249204
NI: 642230, 642232, 642233



■ 140x93 NORD-LINE (SL)
AI: 642300
FI: 249192

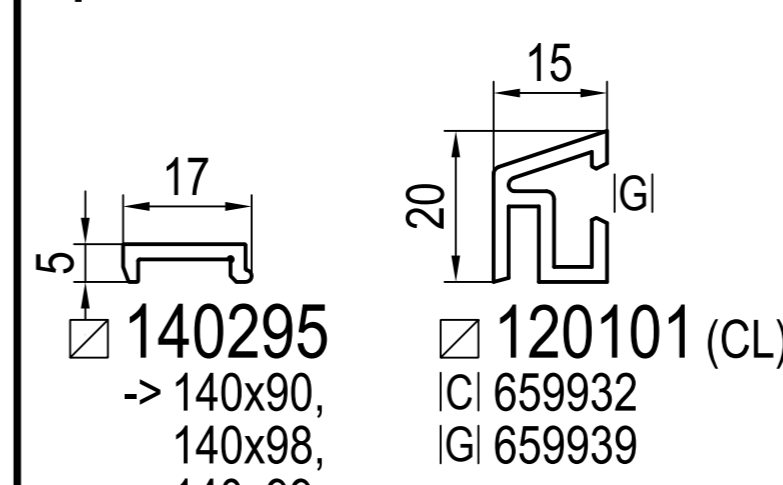


■ 140x95 NORD-LINE (SL)
AI: 642300
FI: 249195



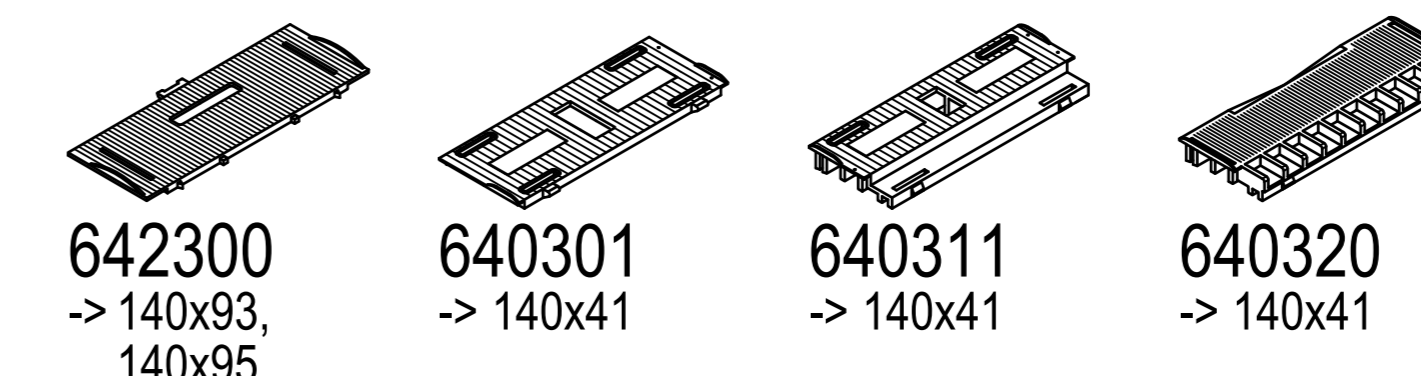
■ 140x41 IDEAL 4000 (CL)
AI: 640301, 640311, 640320
DI: 647131, 649131, 647132 ~140x4x ...
FI: 647101, 649101, 647102 ~140x4x ...
DI: 620046 ~uniwersalny
FI: 229098, 229100, 229101

profile dodatkowe

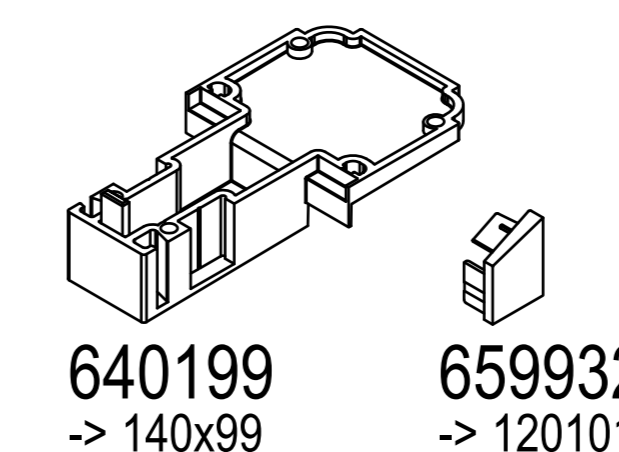


dodatki

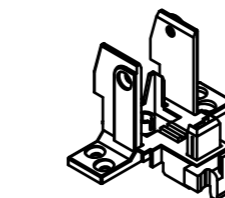
AI: podkładki do szklenia



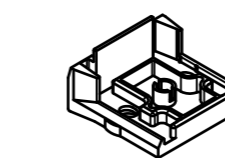
CI: zaślepki



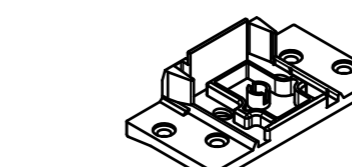
DI: łączniki
DI: łączniki bez kolnierzy P-plastikowy



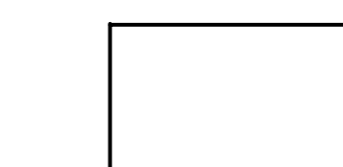
DI: 647191
-> 140x98, 140x99
OI: 640906
~140x90 ...



DI: 649131 P
DI: 649101 P
DI: 647131
DI: 647101
-> 140x41, 140x47
OI: 640900
~140x4x ...
~140x93
~140x95

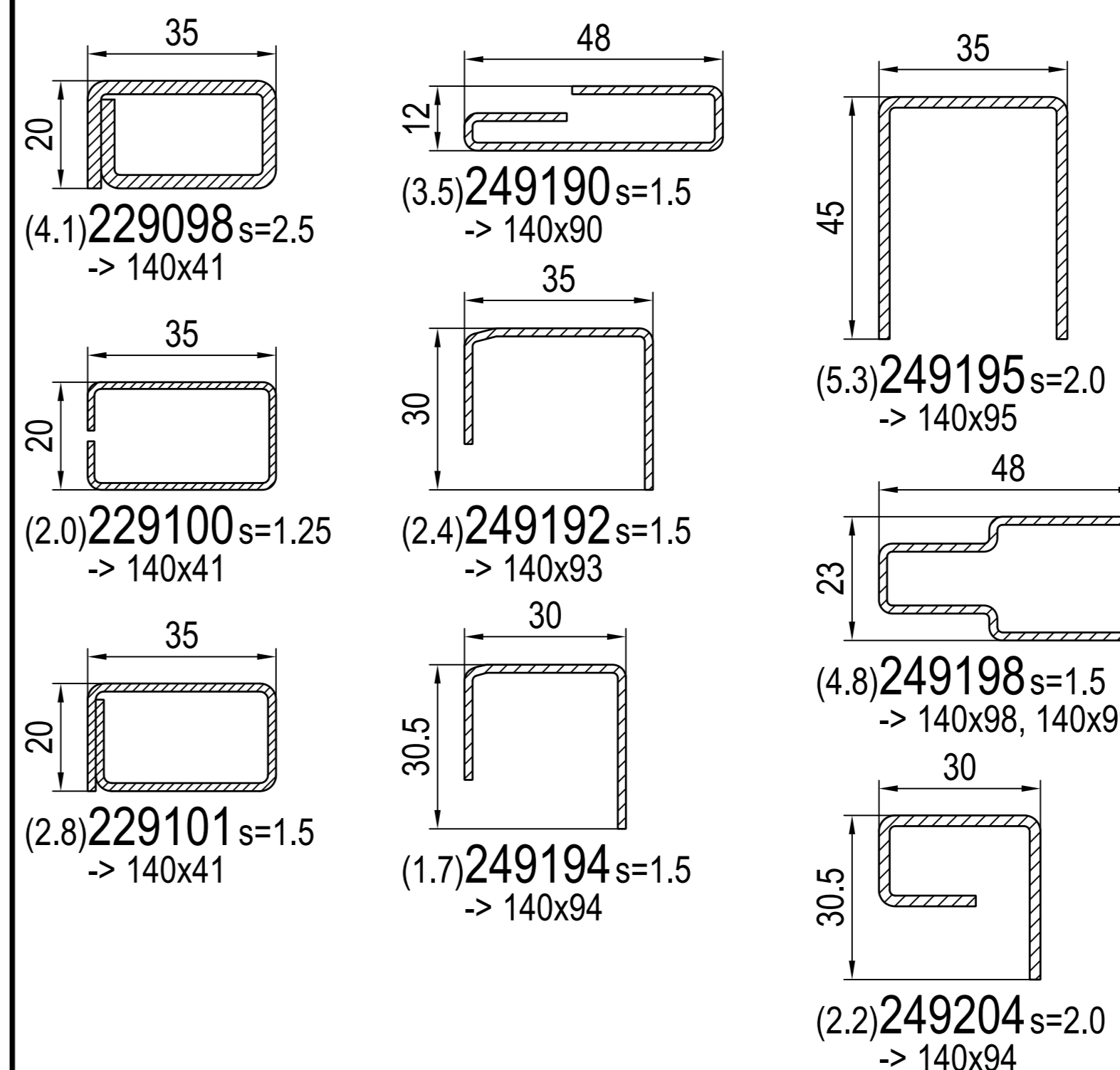


DI: 647132
DI: 647102
-> 140x41, 140x47
OI: 640900
~140x4x ...
~140x93
~140x95



DI: 620046 P
~35x20x1000mm
-> 120x41, 120x45, 140x41, 140x47, 170x41
~uniwersalny

FI: wzmocnienia (...) = lx

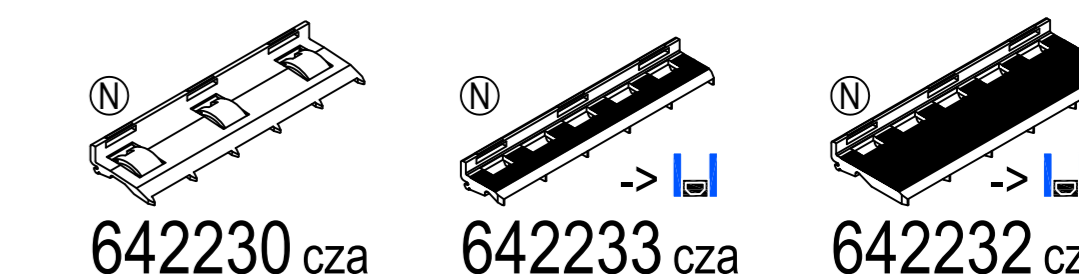
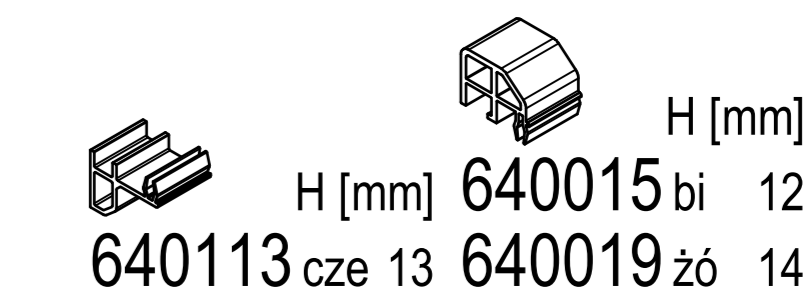
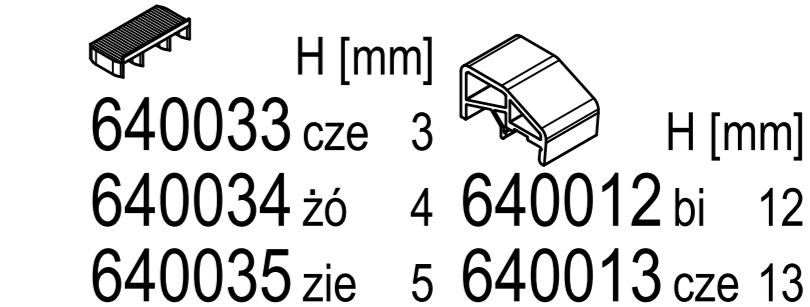


GI: elementy mocujące

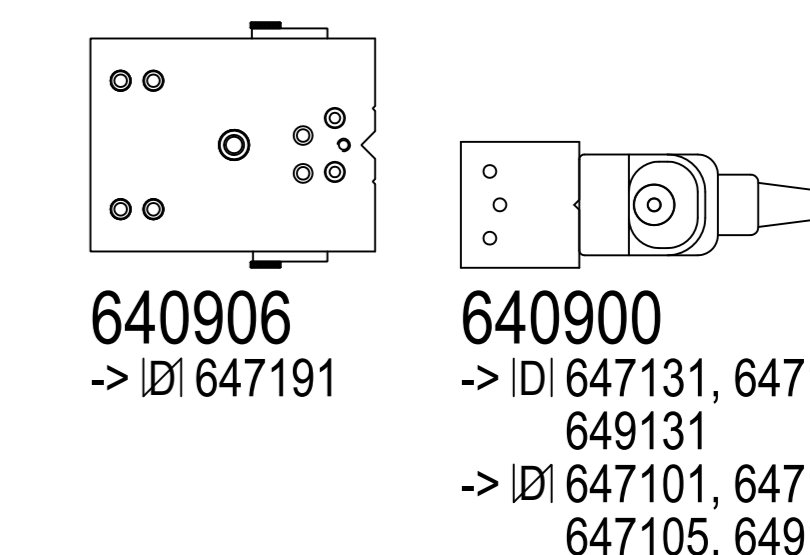


GI: 659939
-> 120101

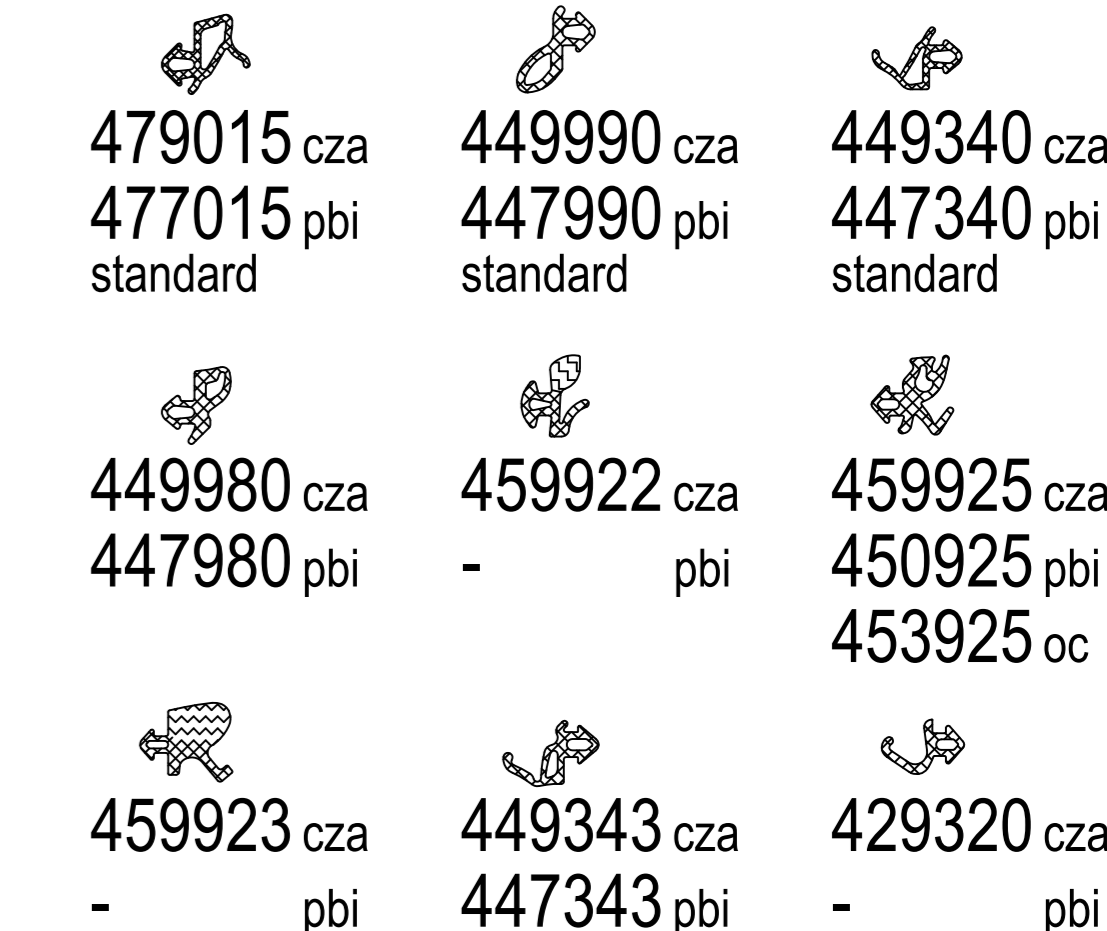
I:J: wklejana szyba
-> 140x94



O: elementy pomocnicze



XI: uszczelki



Z: pozostałe dodatki



646193
-> 140x90

- Ⓜ wklejana szyba
- ☐ nie występuje w kolorze (brak okleiny)
- występuje w kolorze (okleina)
- > do
- (CL) Classic-line
- (RL) Round-line
- (SL) Soft-line
- (HL) Historik-line
- cza czarny
- pbi papierusowa biel
- oc ochra