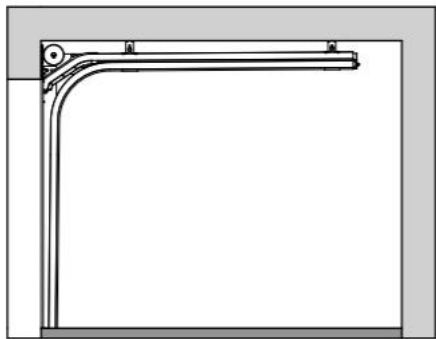


N28 normal

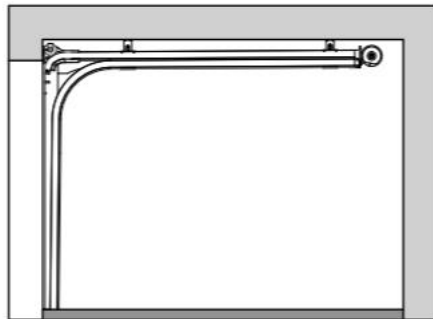
with torsion springs at the front



B max	=	3500 mm 5000 mm 5500 mm
H max	=	3000 mm 2500 mm 2250 mm
b min	=	100 mm
H _p	=	H - 80 mm
H _p + n	=	H
H_n min	=	280 mm
H_n + n min	=	280 mm
H _n stand	≤	360 mm
W min	=	H + 555

L15 low

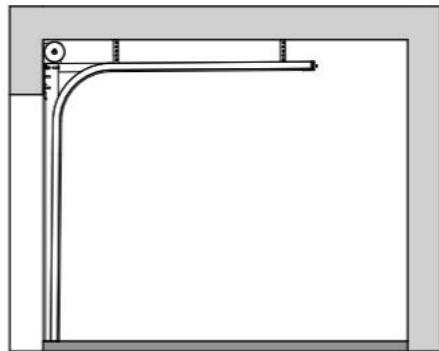
with torsion springs at the rear



B max	=	3500 mm 5000 mm 5500 mm
H max	=	3000 mm* 2500 mm 2250 mm
b min	=	100 mm
H _p	=	H - 100 mm
H _p + n	=	H - 100 mm
H_n min	=	150 mm
H_n + n min	=	150 mm
H _n stand	≤	280 mm
W min	=	H + 625

NH35 normal increased

with torsion springs at the front



B max	=	3500 mm 5000 mm 5500 mm
H max	=	3000 mm 2500 mm 2250 mm
b min	=	100 mm
H _p	=	H
H _p + n	=	H
H _n min	=	350 mm
H _n + n min	=	350 mm
H _n stand	≤	650 mm
W min	=	H + 420