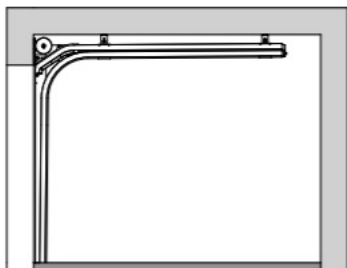


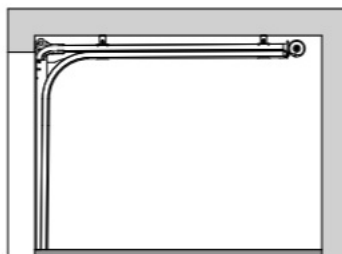
GARAGE SECTIONAL DOORS GUIDANCES

N normal with front torsion springs



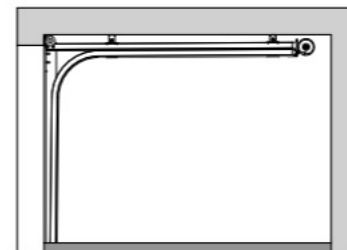
B max	= 4250 mm 4500 mm 4750 mm 5500 mm 6000 mm
H max	= 3000 mm 2875 mm 2750 mm 2500 mm 2250 mm
b min	= 100 mm
Hp	= H - 80 mm
Hp + n	= H
Hn min	= 210 mm
Hn + n min	= 210 mm
Hn stand	≤ 360 mm
W min	= H + 555

L low with back torsion springs



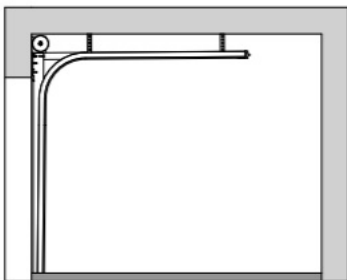
B max	= 3500 mm 5000 mm 5500 mm
H max	= 3000 mm** 2500 mm 2375 mm
b min	= 100 mm
Hp	= H - 100 mm
Hp + n	= H - 100 mm***
Hn min	= 120 mm
Hn + n min	= 120 mm
Hn stand	≤ 250 mm
W min	= H + 625

SL* super low with back torsion springs



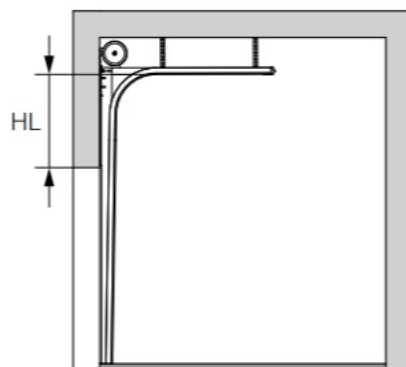
B max	= 3500 mm 4000 mm
H max	= 3000 mm** 2500 mm
b min	= 100 mm
Hp + n	= H - 100 mm***
Hn + n min	= 80 mm
Hn stand	≤ 200 mm
W min	= H + 625

NH normal increased guidance with front torsion springs



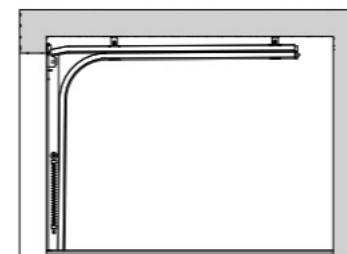
B max	= 4250 mm 4500 mm 4750 mm 5500 mm 6000 mm
H max	= 3000 mm 2875 mm 2750 mm 2500 mm 2250 mm
b min	= 100 mm
Hp	= H
Hp + n	= H
Hn min	= 350 mm
Hn + n min	= 350 mm
Hn stand	≤ 650 mm
W min	= H + 420

H heigh with front torsion springs



B max	= 3500 mm 5500 mm
H max	= 3000 mm 2500 mm
b min	= 100 mm
bn min	= 350 mm
HL	= Hn - 260 mm
HL min	= 210 mm
HL max	= 900 mm
Hp	= H
Hp + n	= H
Hn min	= 470 mm
Hn + n min	= 470 mm
Hn + n max	= 760 mm
Hn stand	≤ 1400 mm
W min	= H - HL + 750 mm

E with pull springs



B max	= 4000 mm
H max	= 2500 mm
b min	= 100 mm
Hp	= H - 150 mm
Hp + n	= H - 30 mm****
Hn min	= 120 mm
Hn + n min	= 120 mm
Hn stand	≤ 350 mm
W min	= H + 500